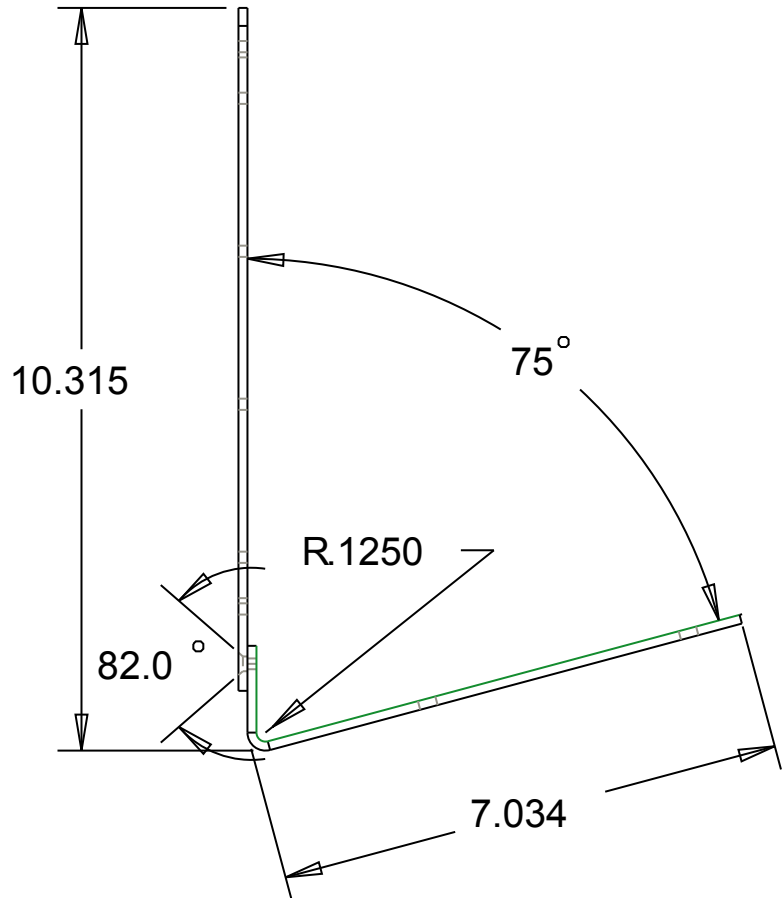
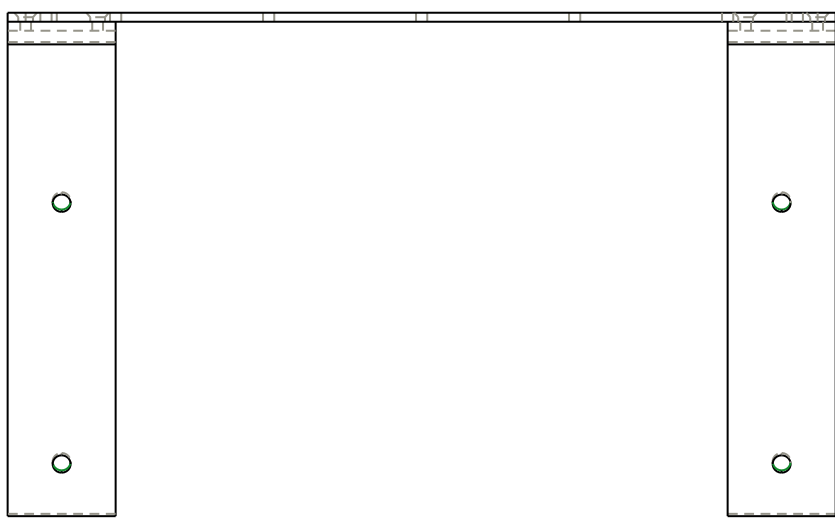


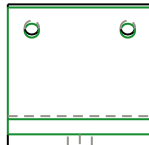
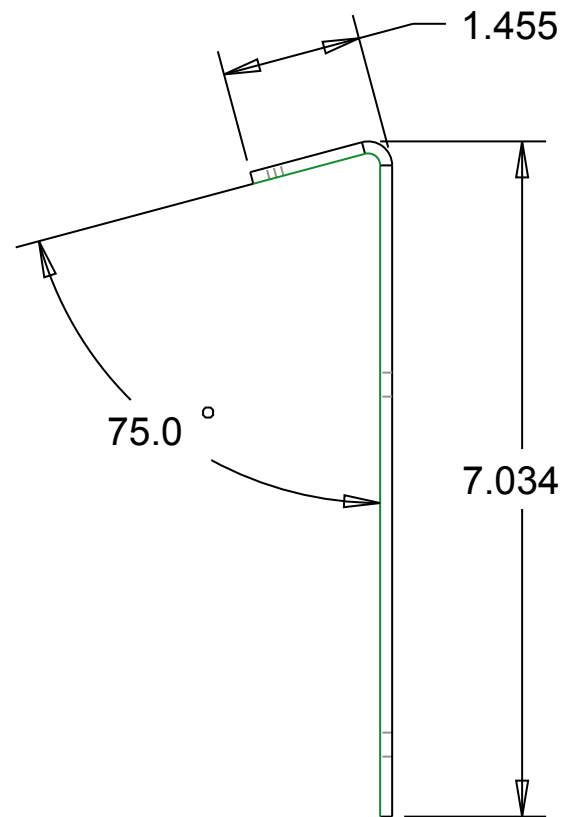
$\varnothing .205$   
 $\varnothing .3126$  C'SINK  
 $\varnothing .156$



TWO-PART-TOUCH-STAND



1.500



tap 10-32 2 places

BASE