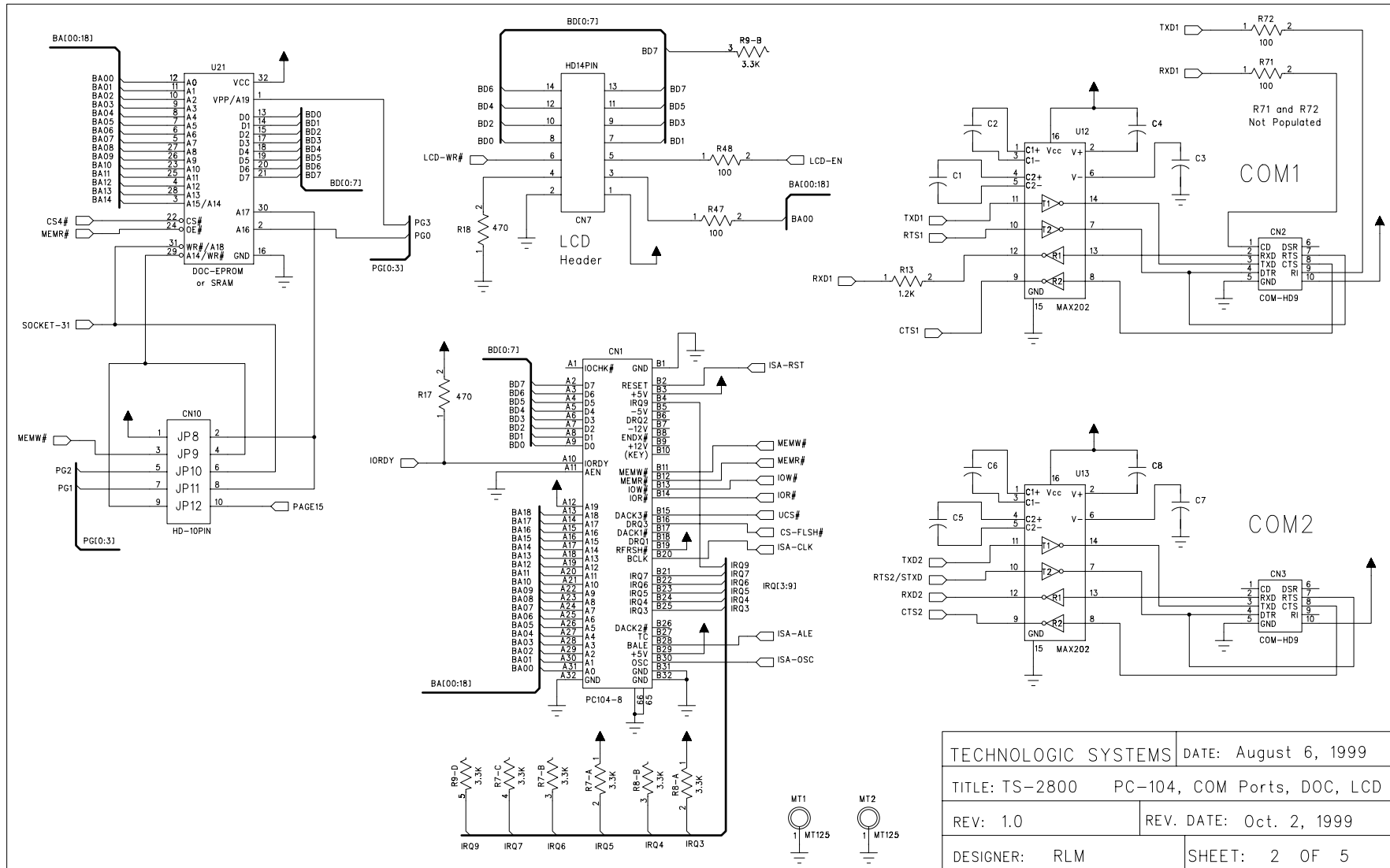
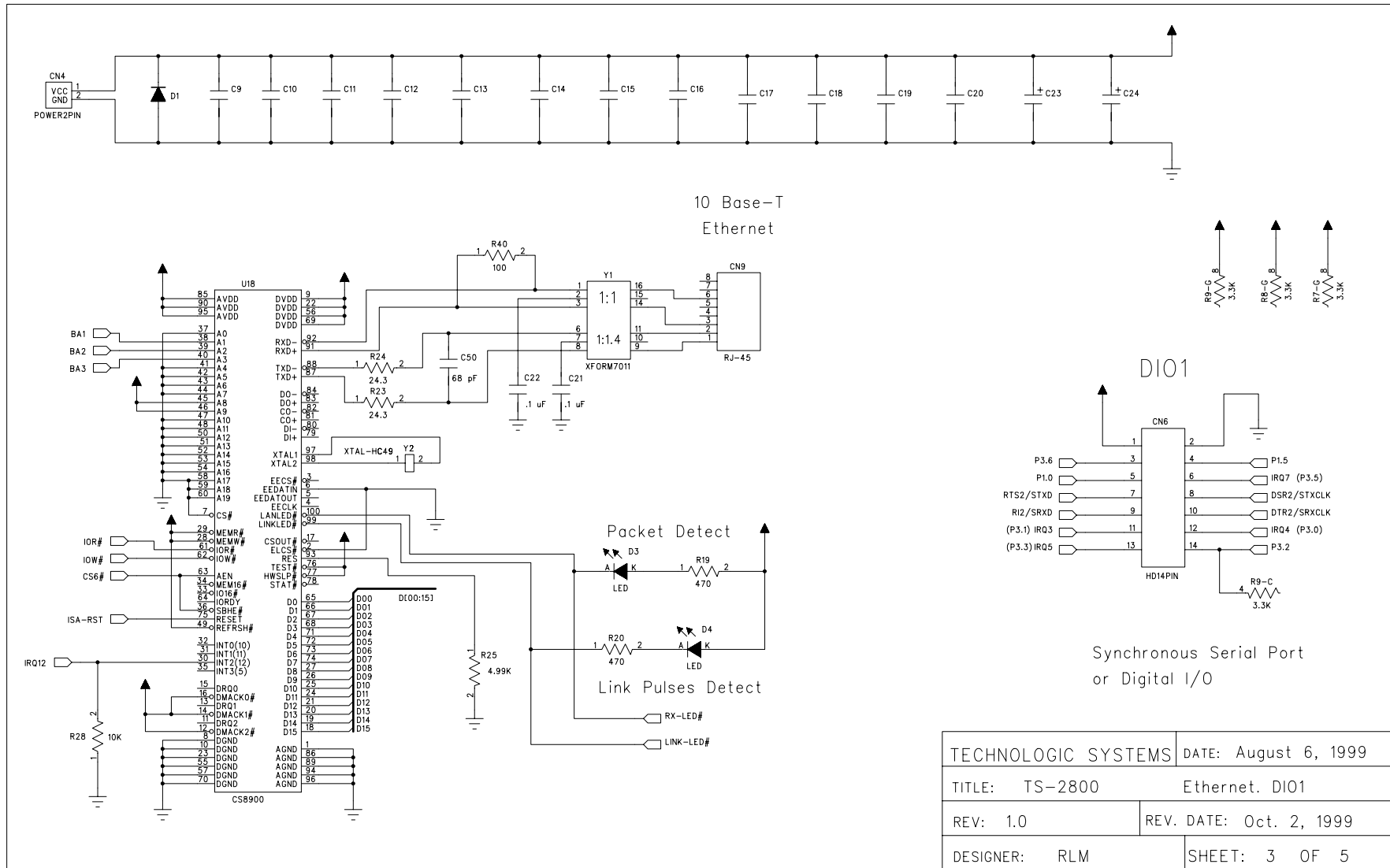


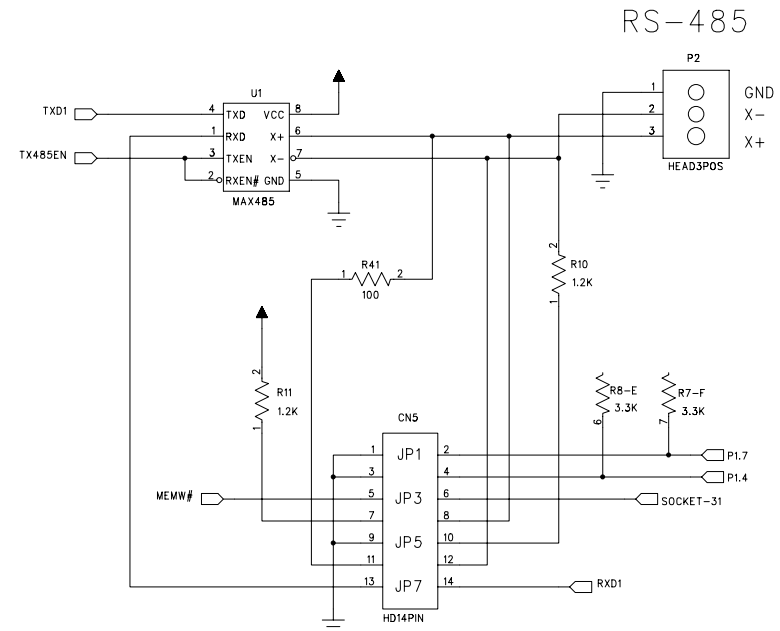
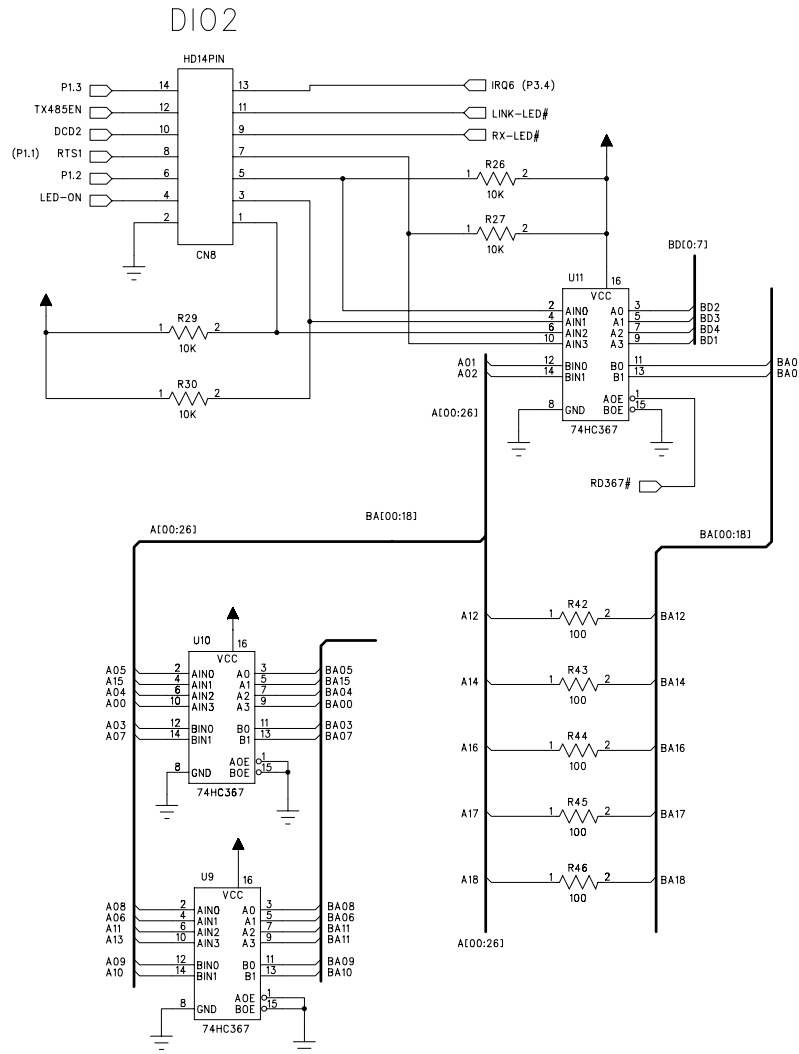
A100:261



TECHNOLOGIC SYSTEMS		DATE: August 6, 1999	
TITLE: TS-2800		PC-104, COM Ports, DOC, LCD	
REV: 1.0		REV. DATE: Oct. 2, 1999	
DESIGNER: RLM		SHEET: 2 OF 5	

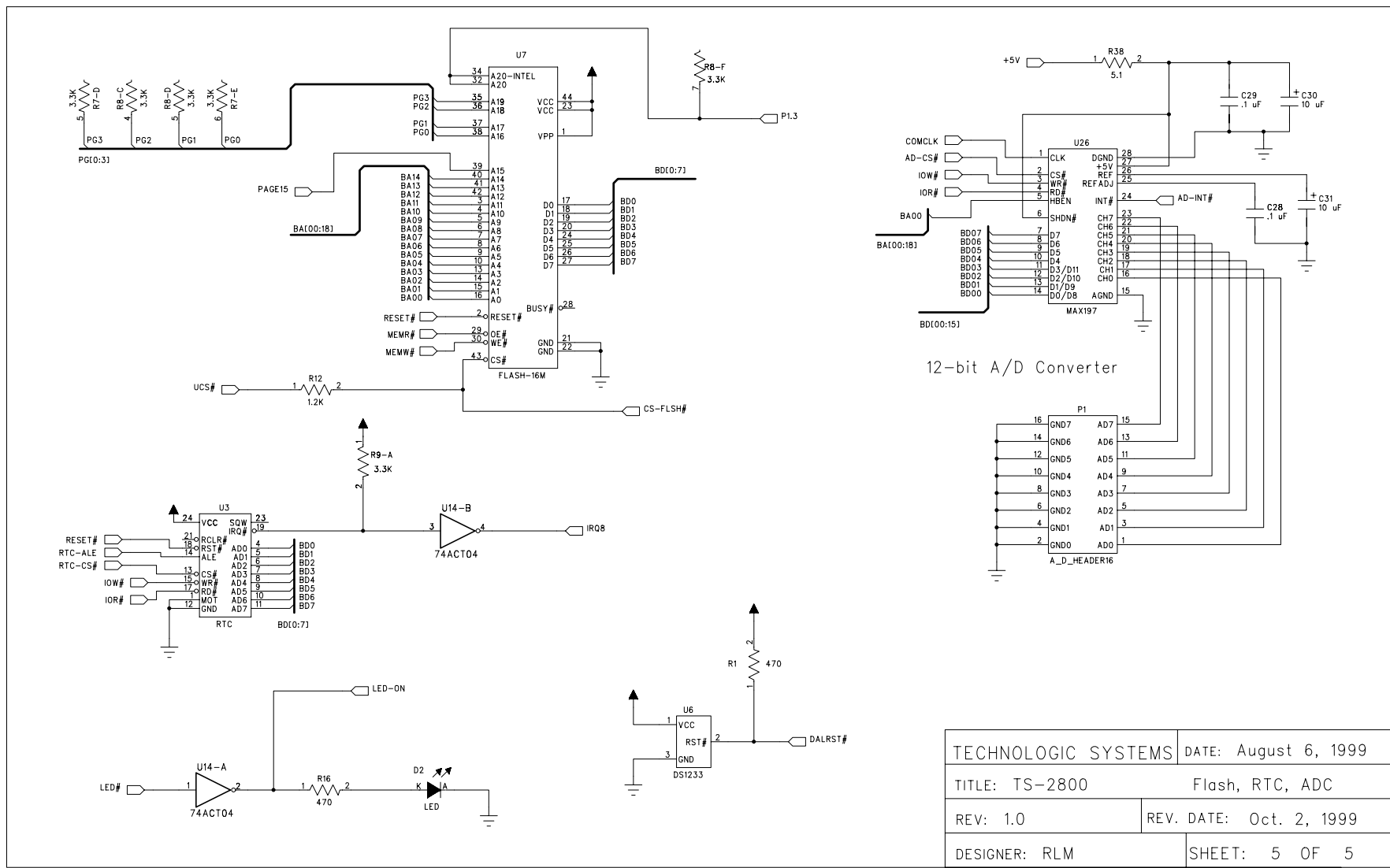


TECHNOLOGIC SYSTEMS	DATE: August 6, 1999
TITLE: TS-2800	Ethernet. DIO1
REV: 1.0	REV. DATE: Oct. 2, 1999
DESIGNER: RLM	SHEET: 3 OF 5



- JP1 = Enable Man. mode
- JP2 = Enable Console to COM2
- JP3 = MEMW# to Socket pin 31
- JP4,5 = Add Bias Resistors
- JP6 = Add Termination Resistor
- JP7 = Enable RS-485

TECHNOLOGIC SYSTEMS		DATE: August 6, 1999	
TITLE: TS-2800		Add Buffers, RS-485, DIO2	
REV: 1.0	REV. DATE: Oct. 2, 1999		
DESIGNER: RLM	SHEET: 4 OF 5		



TECHNOLOGIC SYSTEMS	DATE: August 6, 1999
TITLE: TS-2800	Flash, RTC, ADC
REV: 1.0	REV. DATE: Oct. 2, 1999
DESIGNER: RLM	SHEET: 5 OF 5