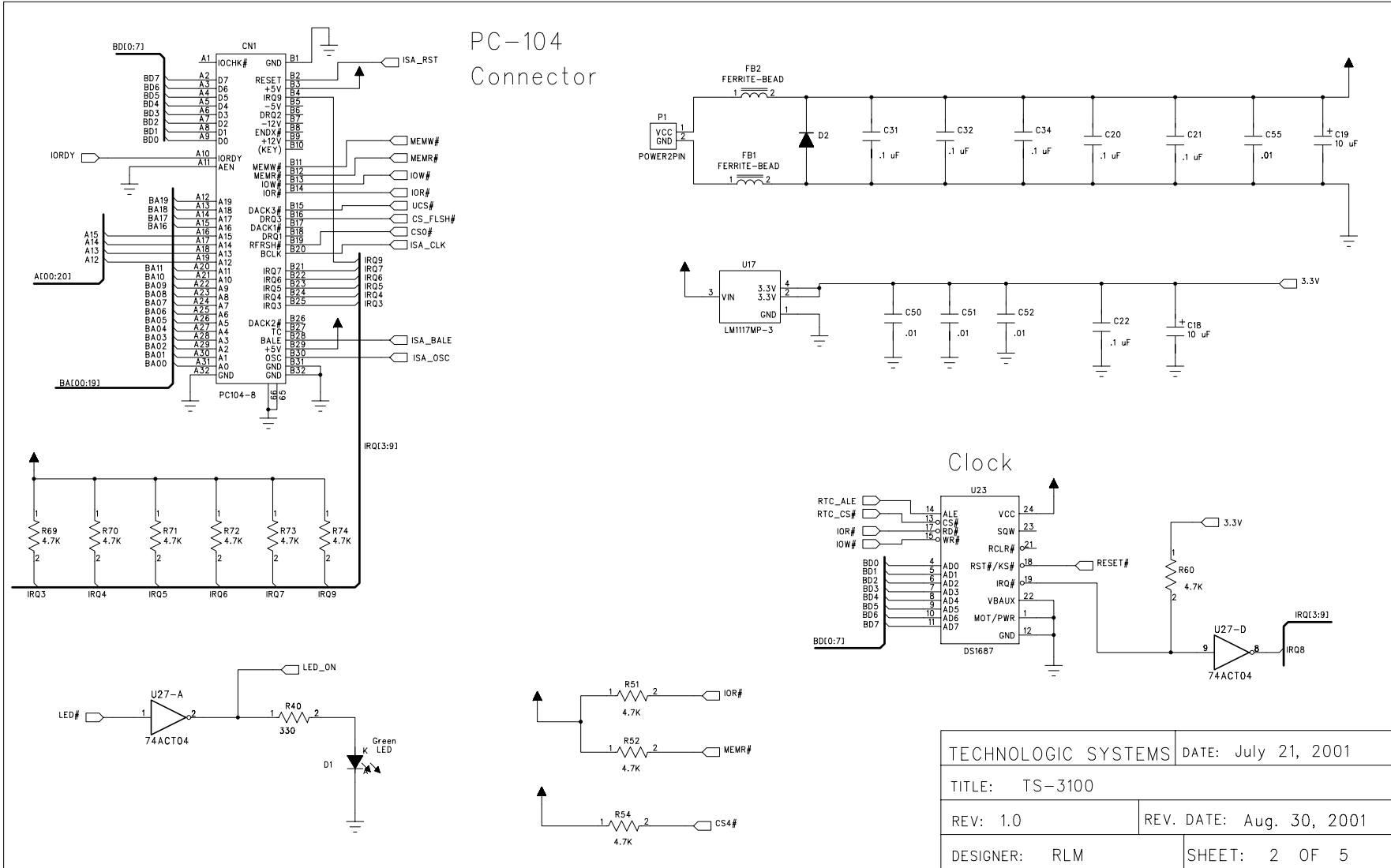


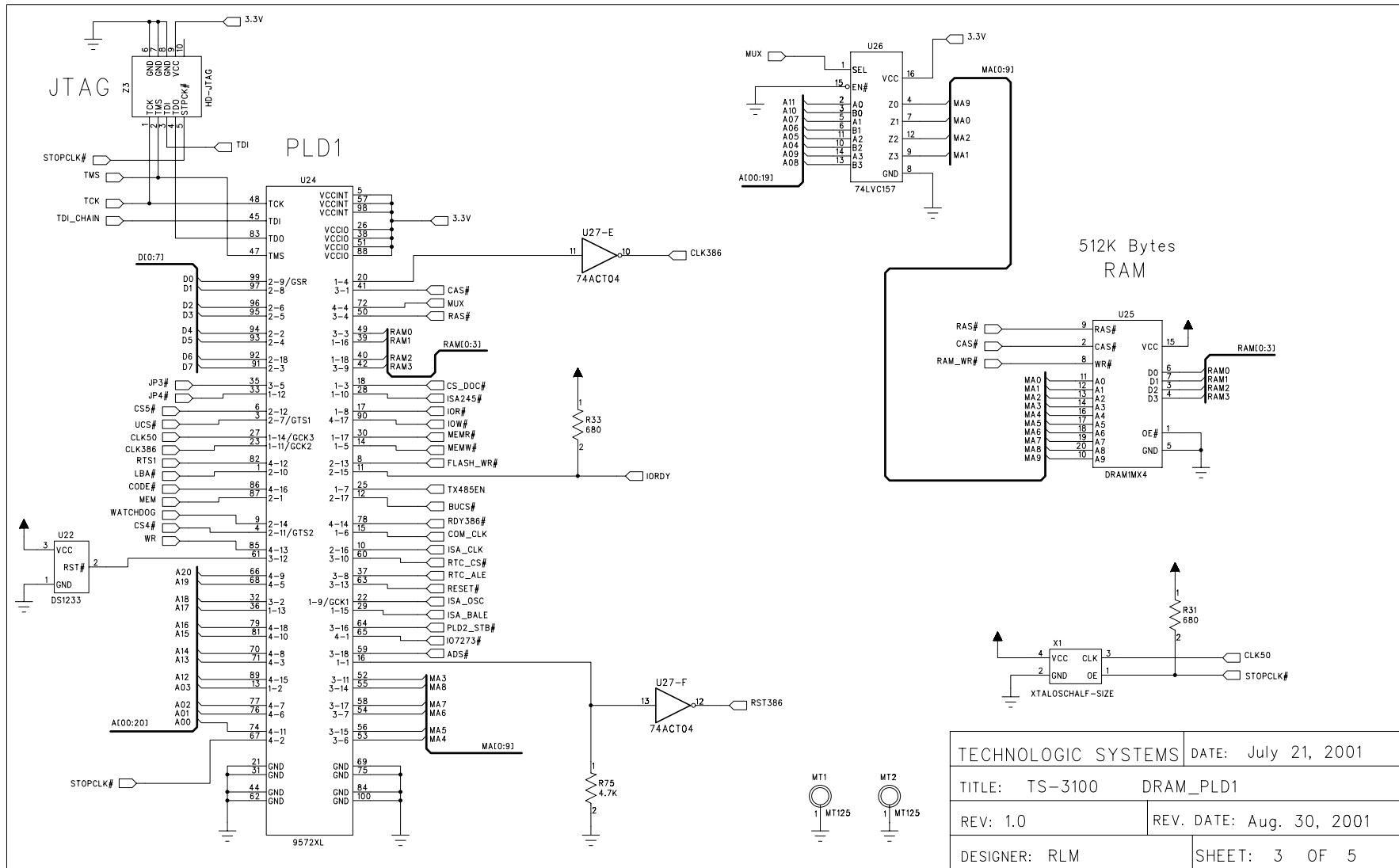
TECHNOLOGIC SYSTEMS		DATE: July 21, 2001
TITLE: TS-3100		
REV: 1.0	REV. DATE: Aug. 30, 2001	
DESIGNER: RLM	SHEET: 1 OF 5	



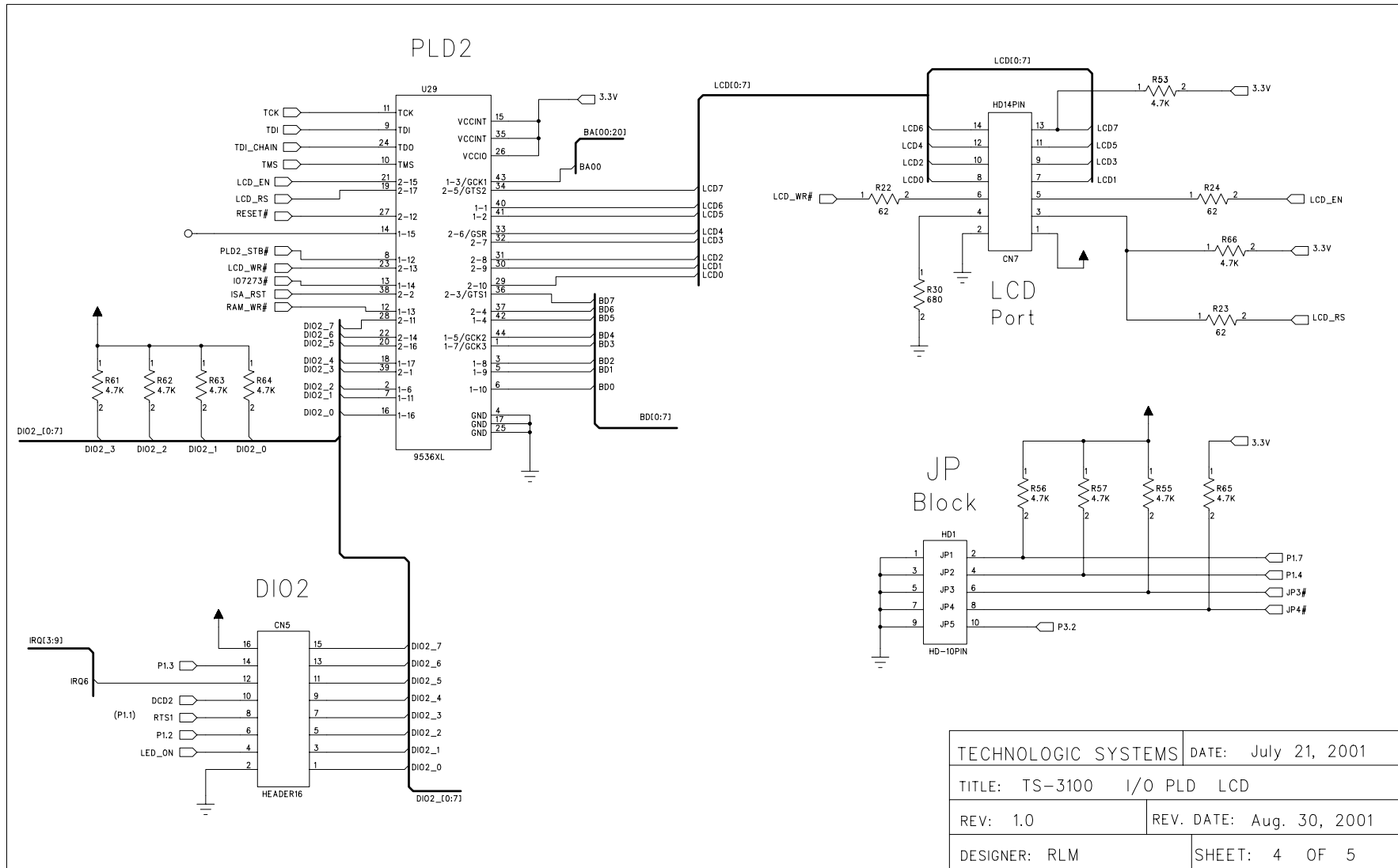
PC-104 Connector

Clock

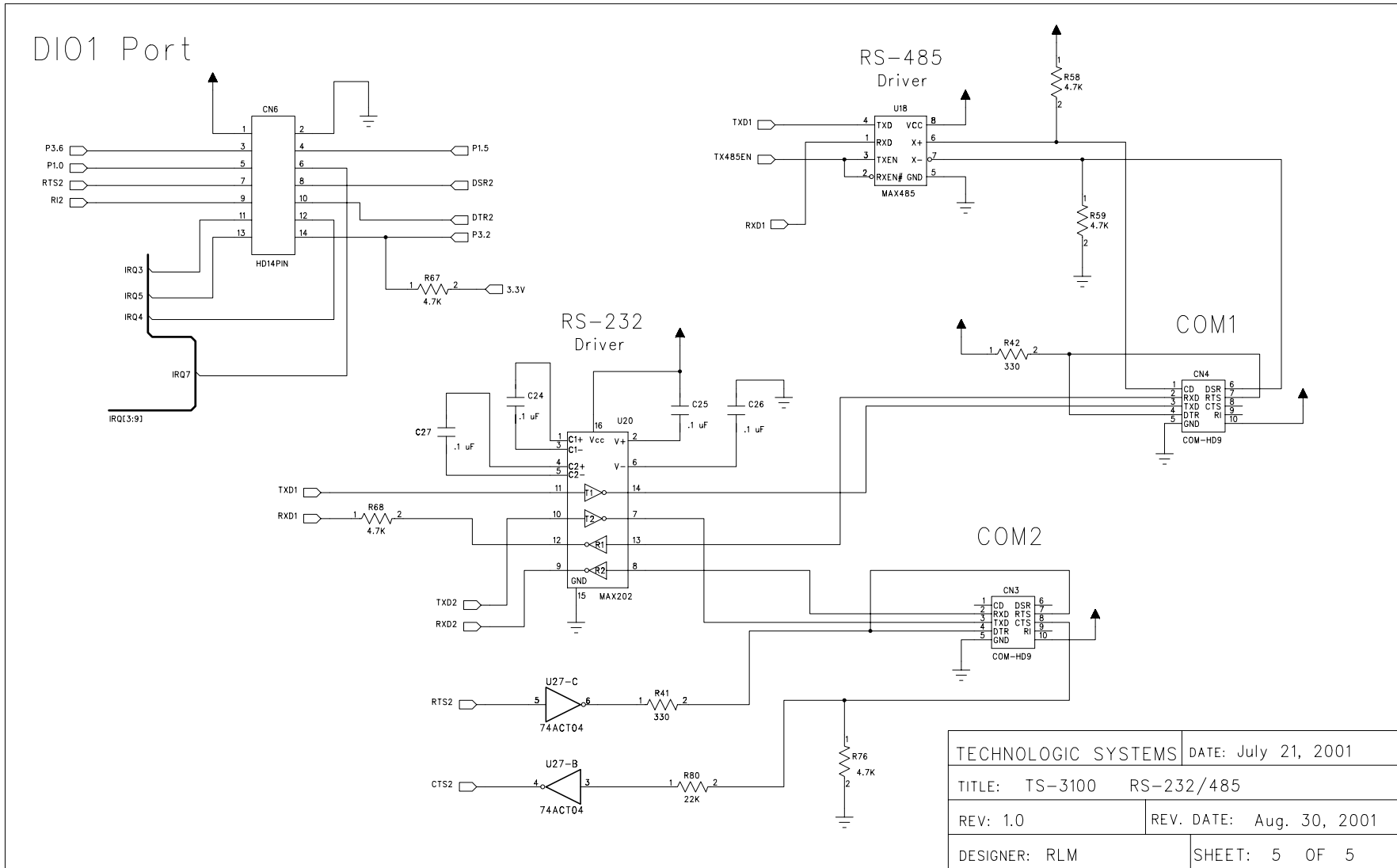
TECHNOLOGIC SYSTEMS		DATE: July 21, 2001	
TITLE: TS-3100			
REV: 1.0		REV. DATE: Aug. 30, 2001	
DESIGNER: RLM		SHEET: 2 OF 5	



TECHNOLOGIC SYSTEMS	DATE: July 21, 2001
TITLE: TS-3100	DRAM_PLD1
REV: 1.0	REV. DATE: Aug. 30, 2001
DESIGNER: RLM	SHEET: 3 OF 5



TECHNOLOGIC SYSTEMS	DATE: July 21, 2001
TITLE: TS-3100 I/O PLD LCD	
REV: 1.0	REV. DATE: Aug. 30, 2001
DESIGNER: RLM	SHEET: 4 OF 5



TECHNOLOGIC SYSTEMS		DATE: July 21, 2001	
TITLE: TS-3100 RS-232/485			
REV: 1.0		REV. DATE: Aug. 30, 2001	
DESIGNER: RLM		SHEET: 5 OF 5	