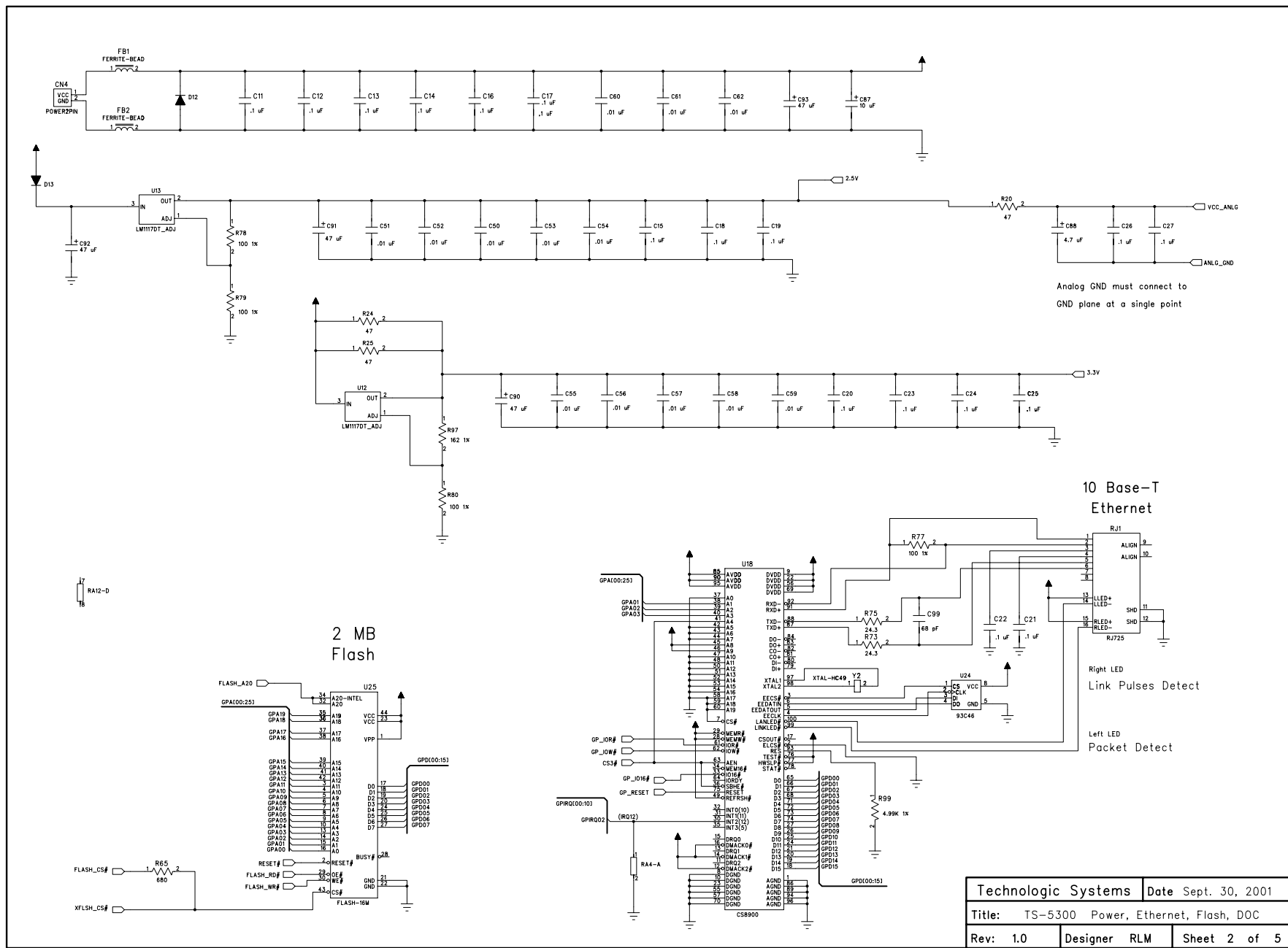


AMD Elan 520

Technologic Systems		Date Sept. 30, 2001	
Title: TS-5300 Elan 520			
Rev: 1.0	Designer RLM	Sheet 1 of 5	



Analog GND must connect to GND plane at a single point

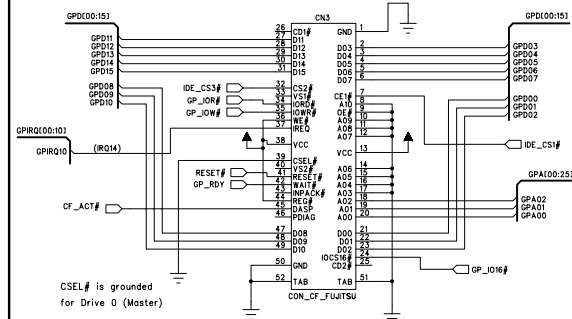
10 Base-T Ethernet

Right LED
Link Pulses Detect

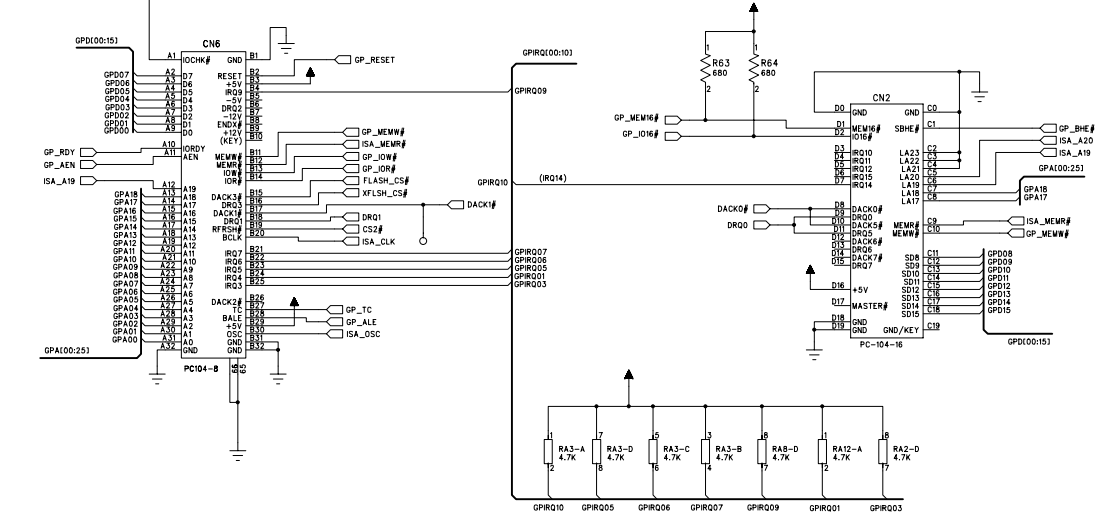
Left LED
Packet Detect

Technologic Systems	Date Sept. 30, 2001
Title: TS-5300 Power, Ethernet, Flash, DOC	
Rev: 1.0	Designer RLM Sheet 2 of 5

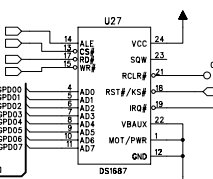
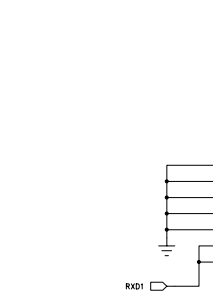
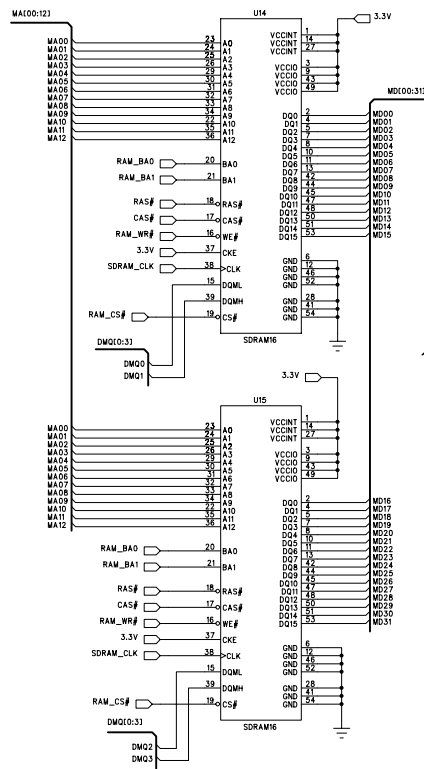
Compact Flash



PC/104 Connectors

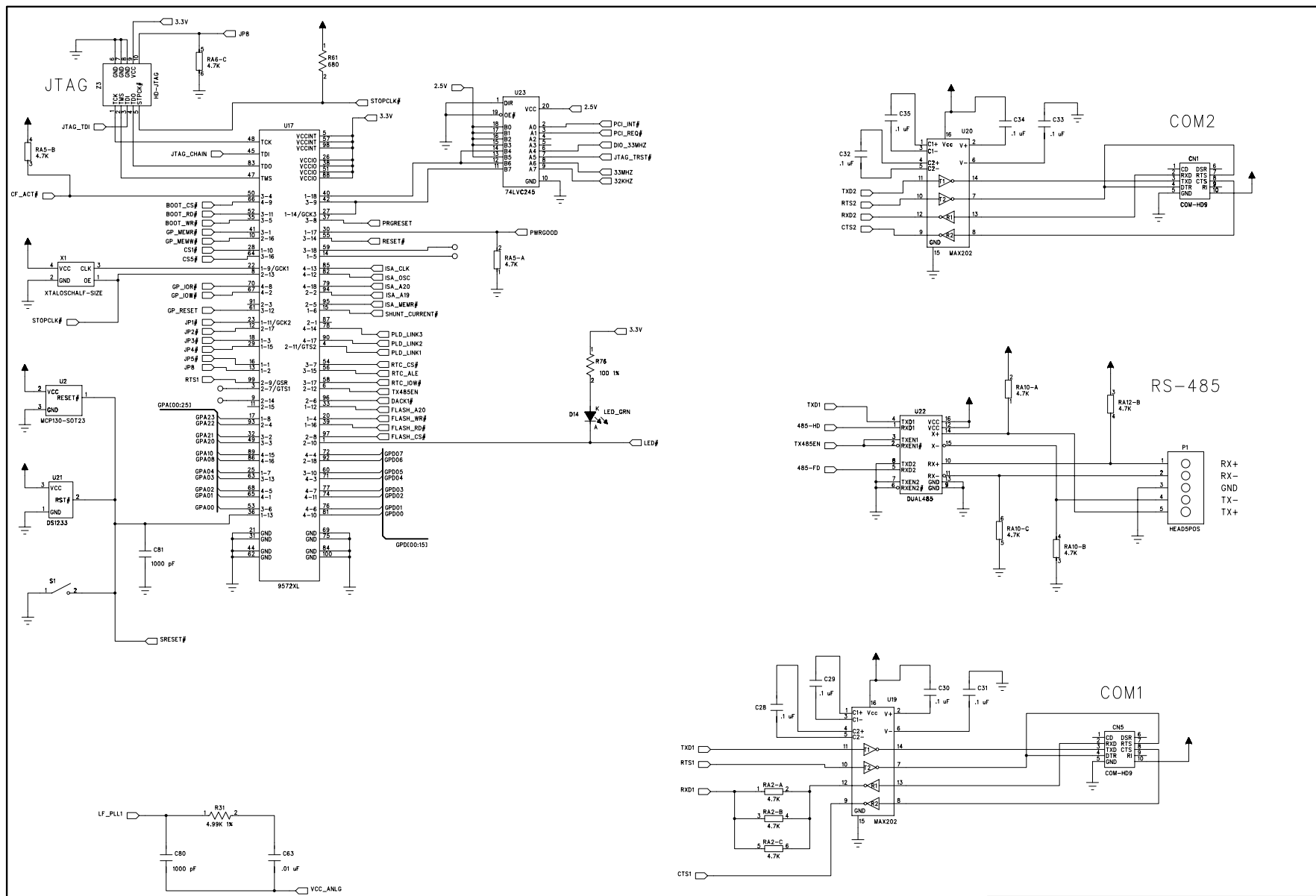


SDRAM
16M-64M



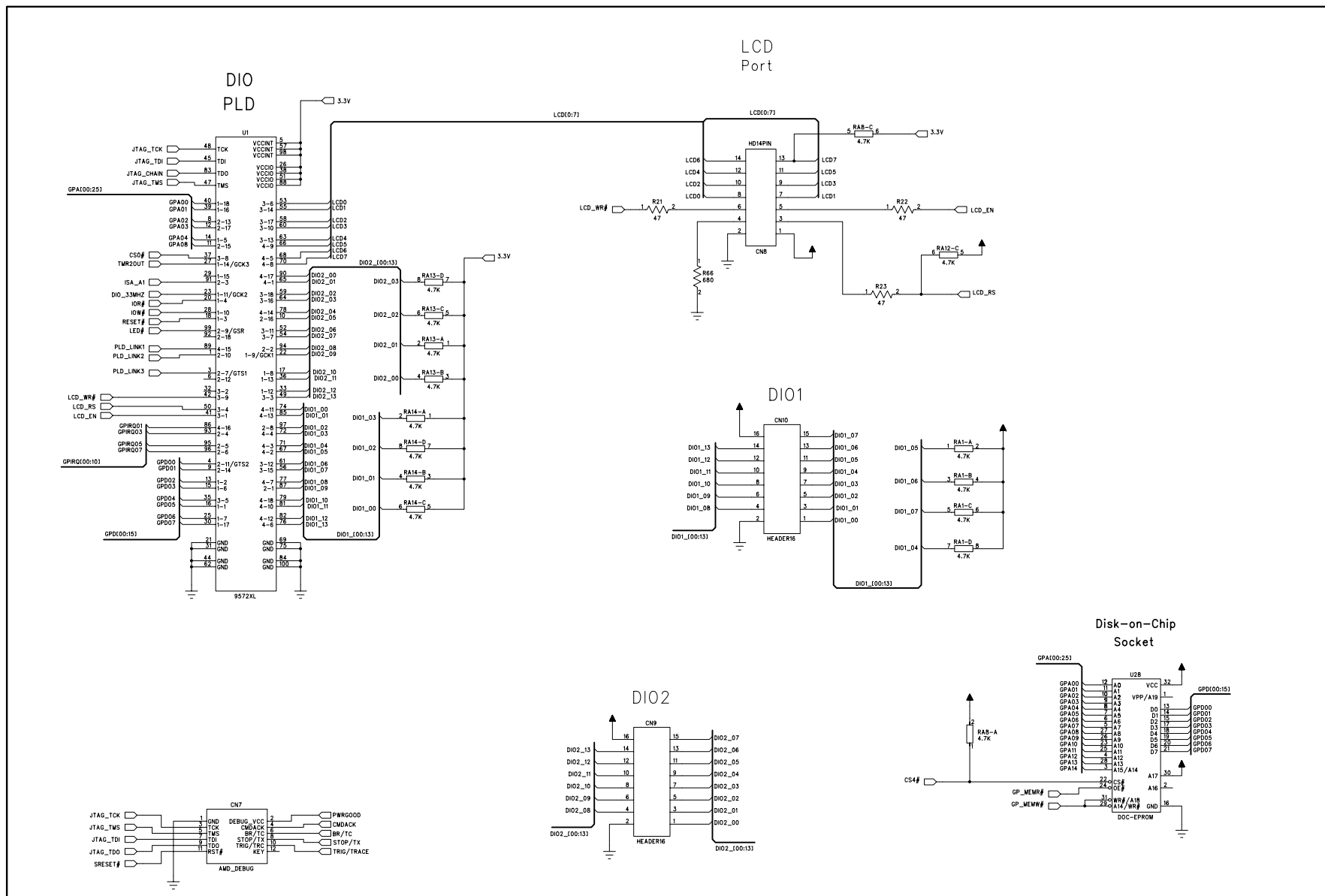
Real Time Clock

Technologic Systems	Date June 11, 2002
Title: TS-5300 PC-104, SDRAM, RTC, CFflash	
Rev: 1.0	Designer RLM Sheet 3 of 5



PLL1 Loop Filter

Technologic Systems	Date	Sept. 30, 2001
Title:	TS-5300 PLD	COM1, COM2
Rev:	1.0	Designer RLM Sheet 4 of 5



AMD Debug Port

Technologic Systems		Date Sept. 30, 2001	
Title: DIO Ports, LCD, Disk-on-Chip			
Rev: 1.0	Designer RLM	Sheet 5 of 5	