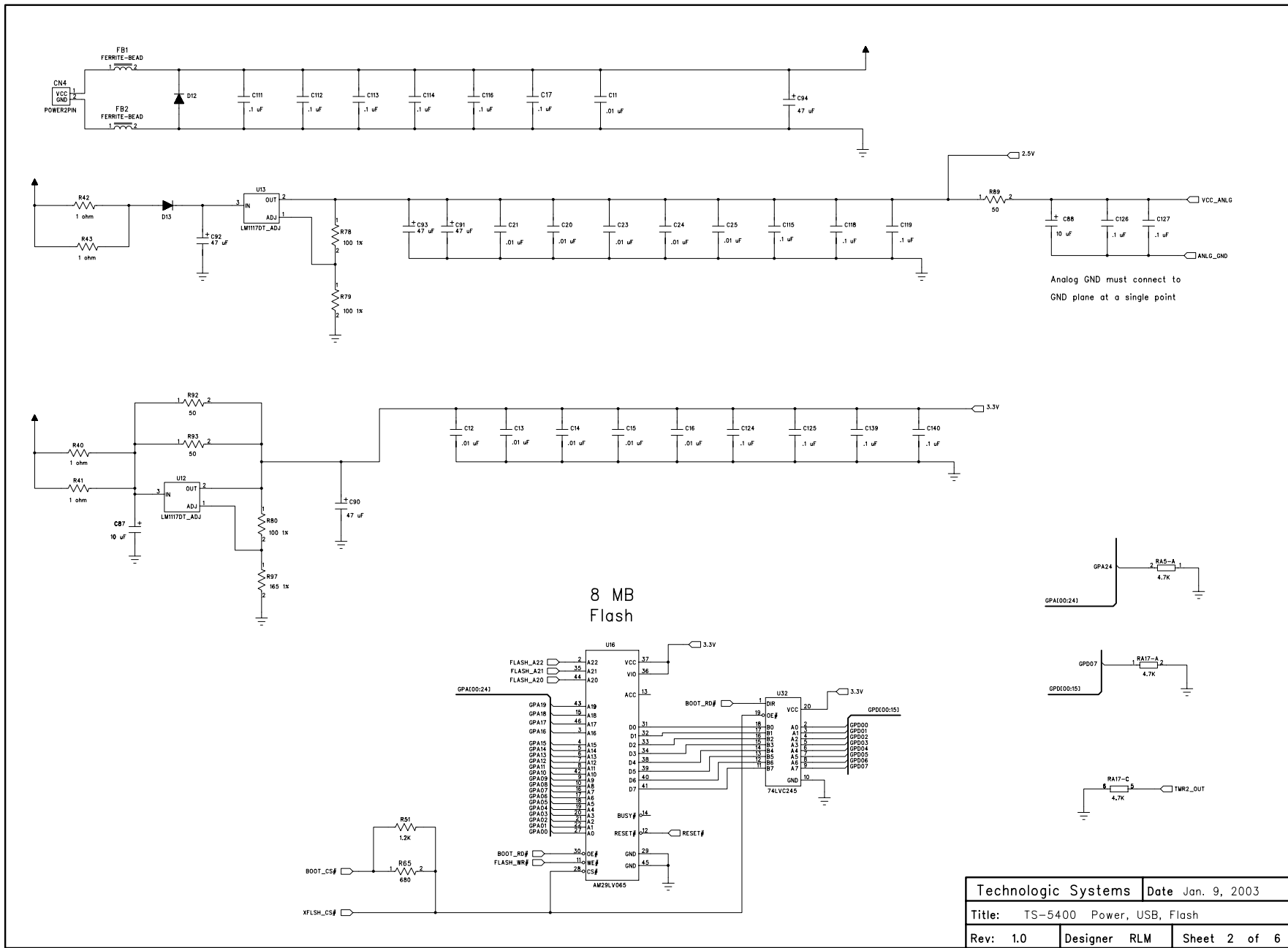
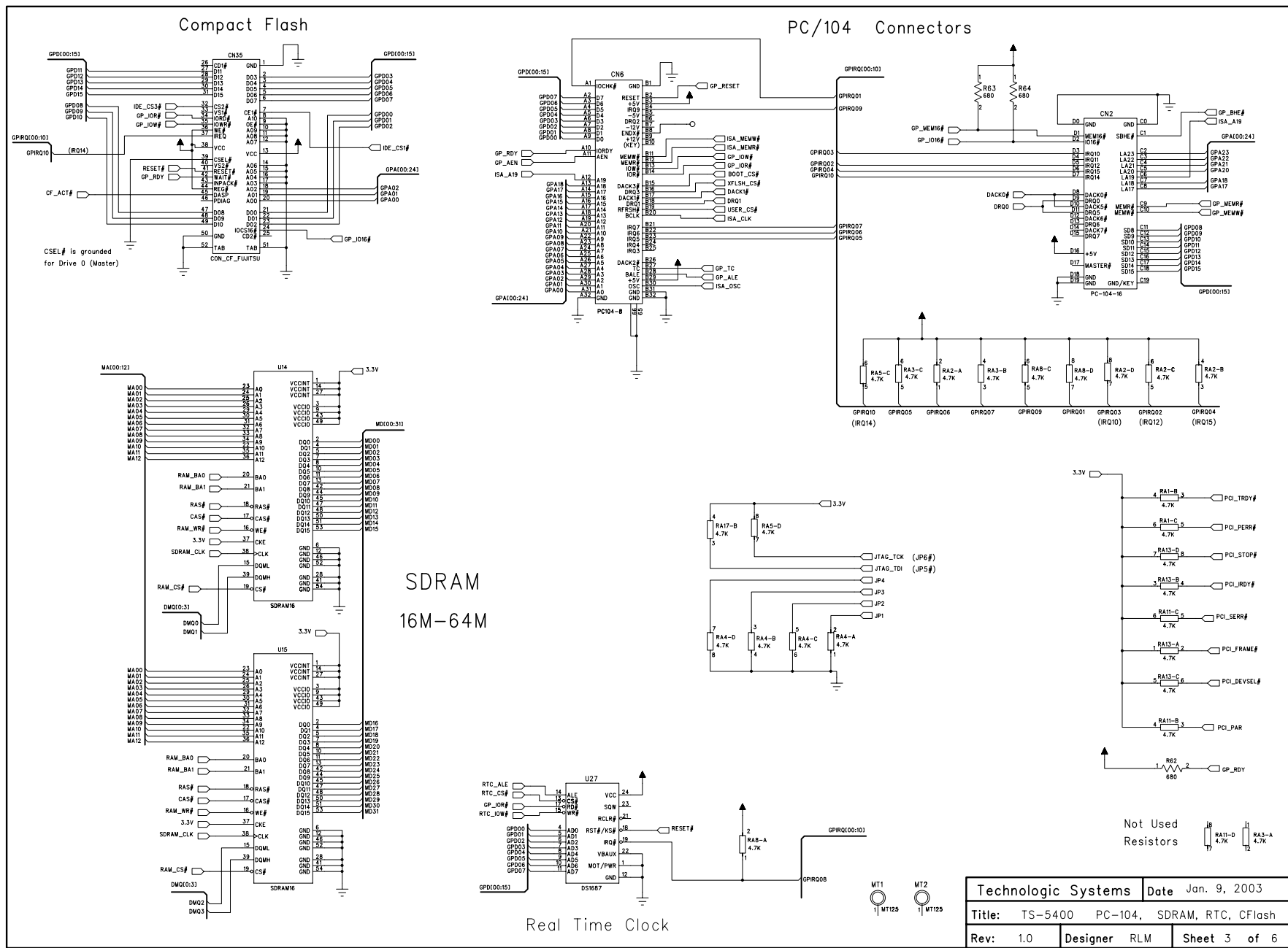


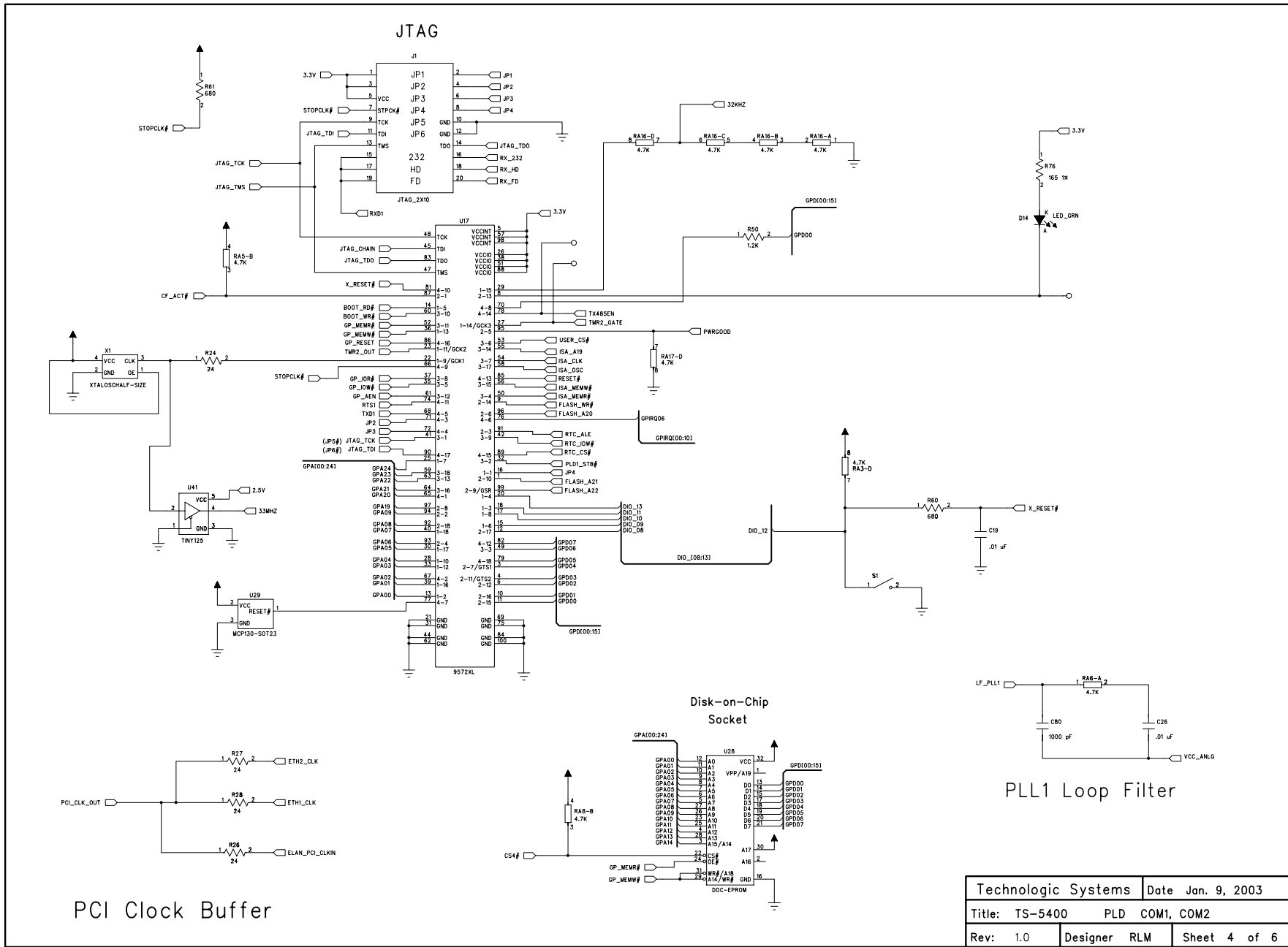
AMD Elan 520



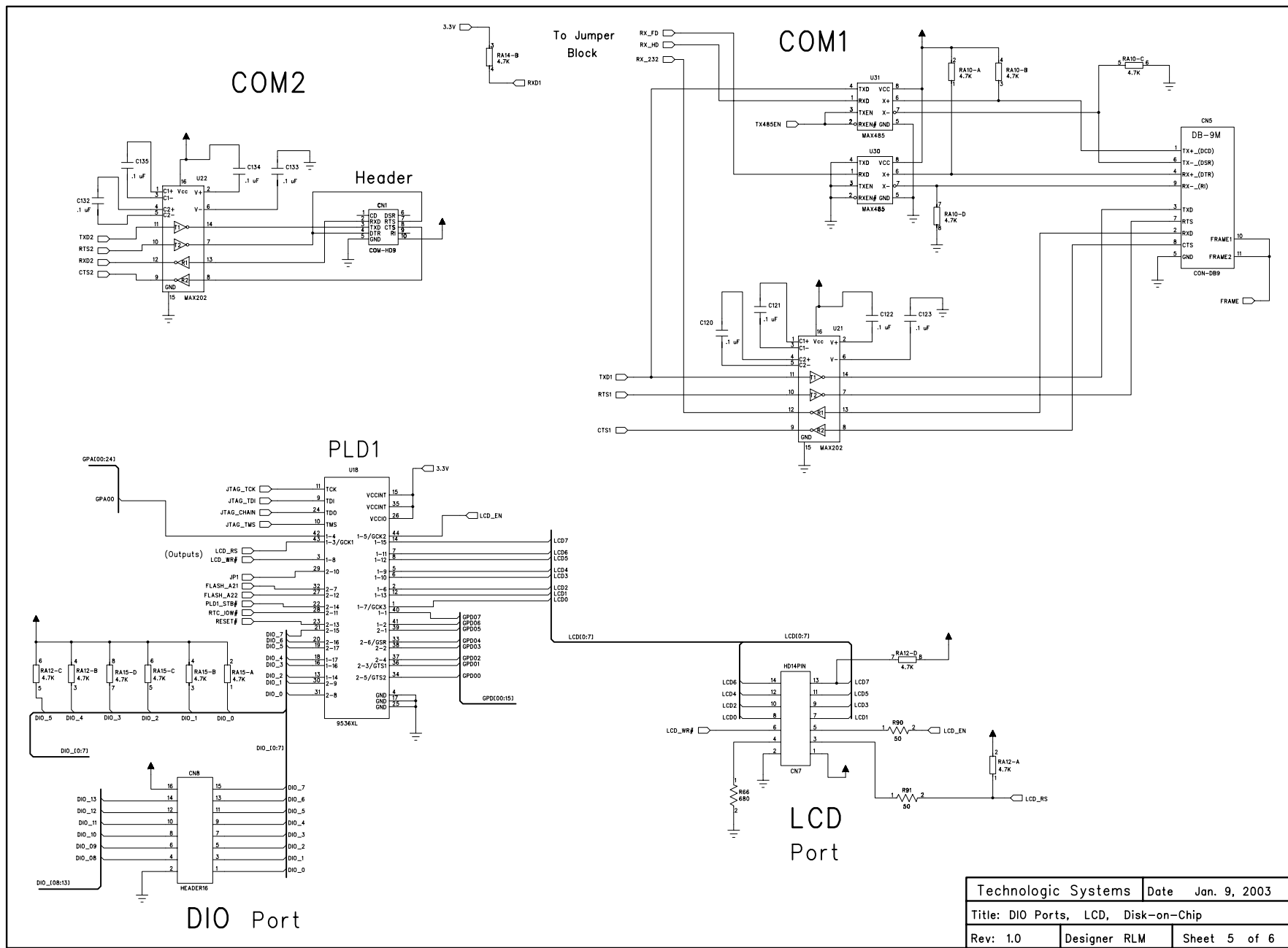
Technologic Systems	Date Jan. 9, 2003
Title: TS-5400 Power, USB, Flash	
Rev: 1.0	Designer RLM Sheet 2 of 6



Technologic Systems		Date	Jan. 9, 2003
Title: TS-5400 PC-104, SDRAM, RTC, CFflash			
Rev: 1.0	Designer	RLM	Sheet 3 of 6

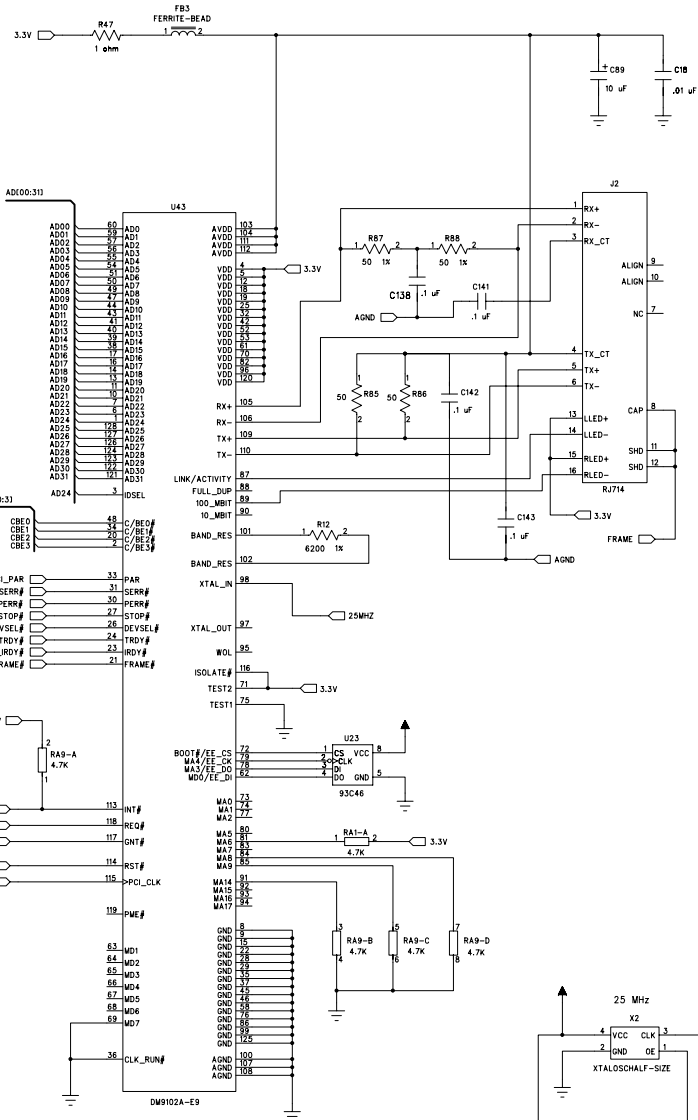


Technologic Systems		Date Jan. 9, 2003	
Title: TS-5400		PLD COM1, COM2	
Rev: 1.0	Designer RLM	Sheet 4 of 6	

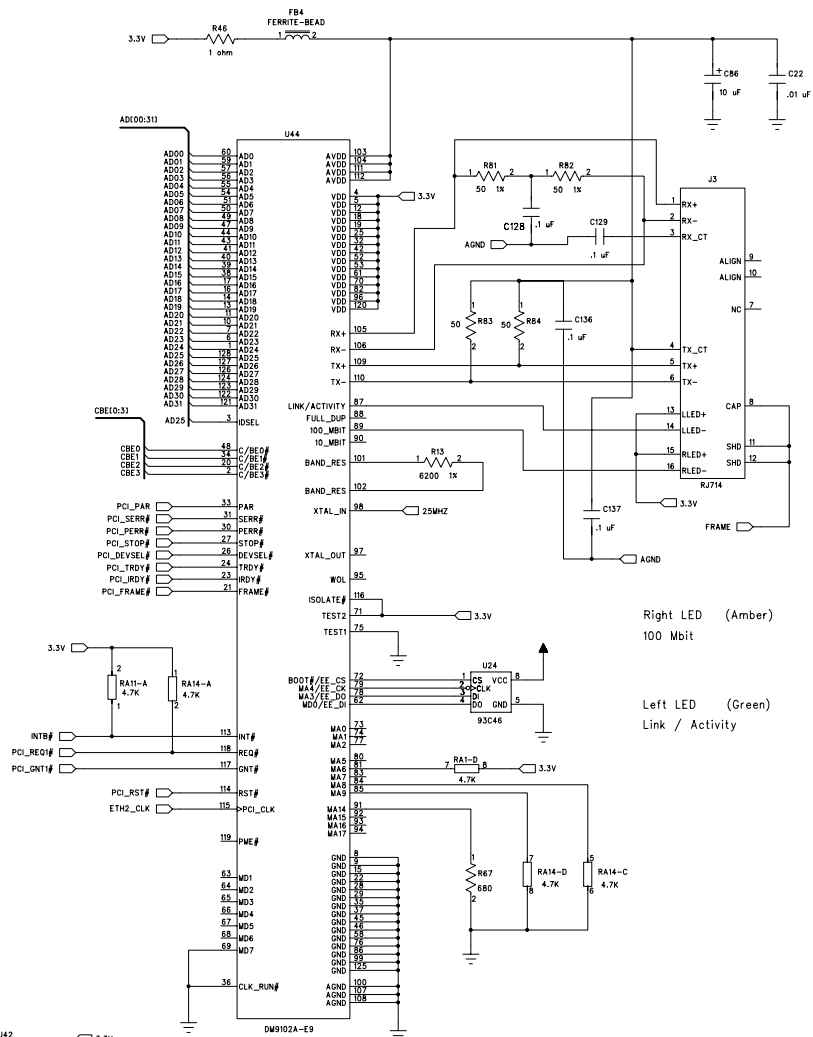


Technologic Systems	Date	Jan. 9, 2003
Title: DIO Ports, LCD, Disk-on-Chip		
Rev: 1.0	Designer	RLM
		Sheet 5 of 6

10/100 Ethernet



10/100 Ethernet



Technologic Systems	Date Jan. 9, 2003
Title: TS-5400 Dual Ethernet ports	
Rev: 1.0	Designer RLM Sheet 6 of 6