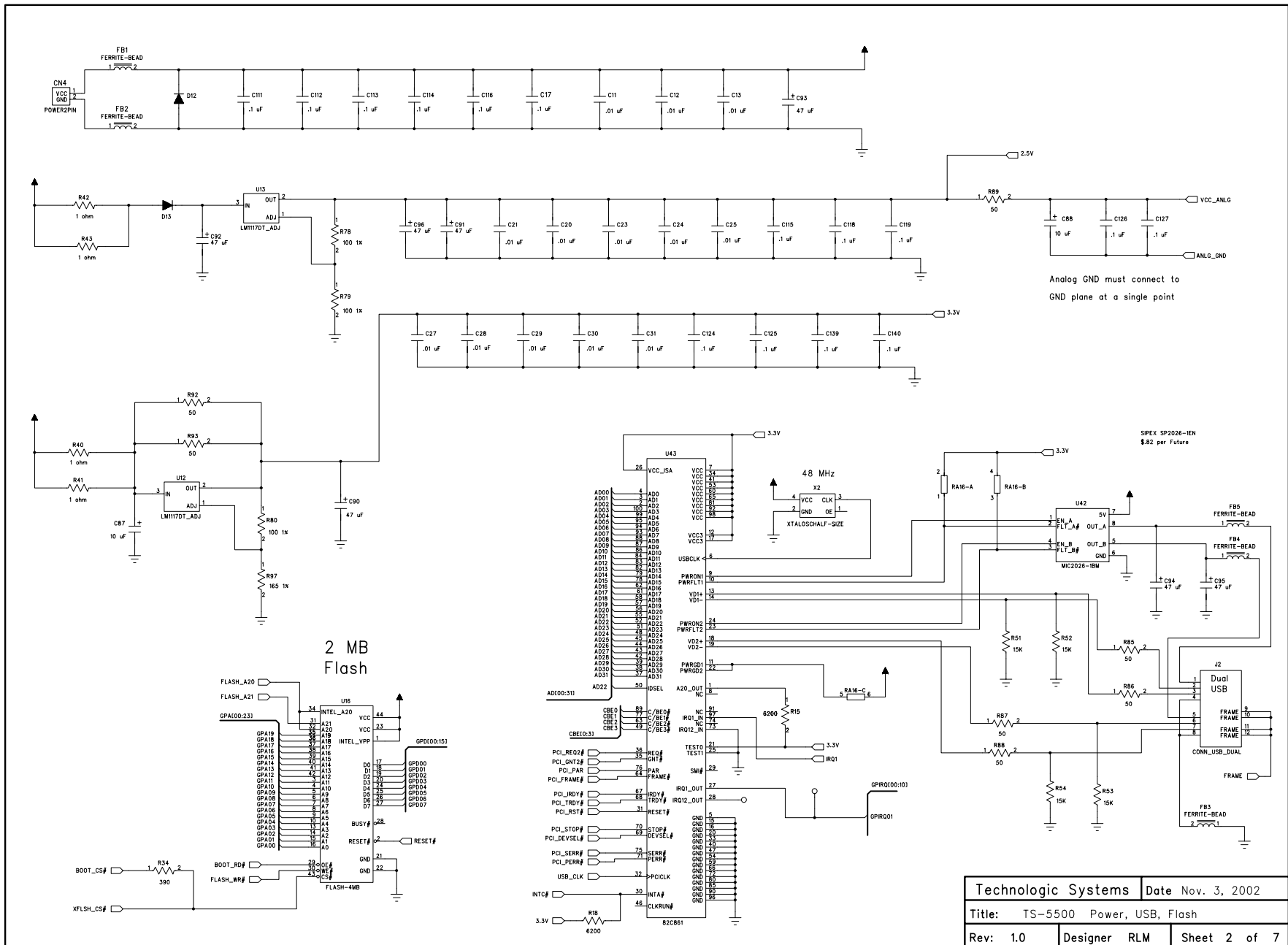


AMD Elan 520

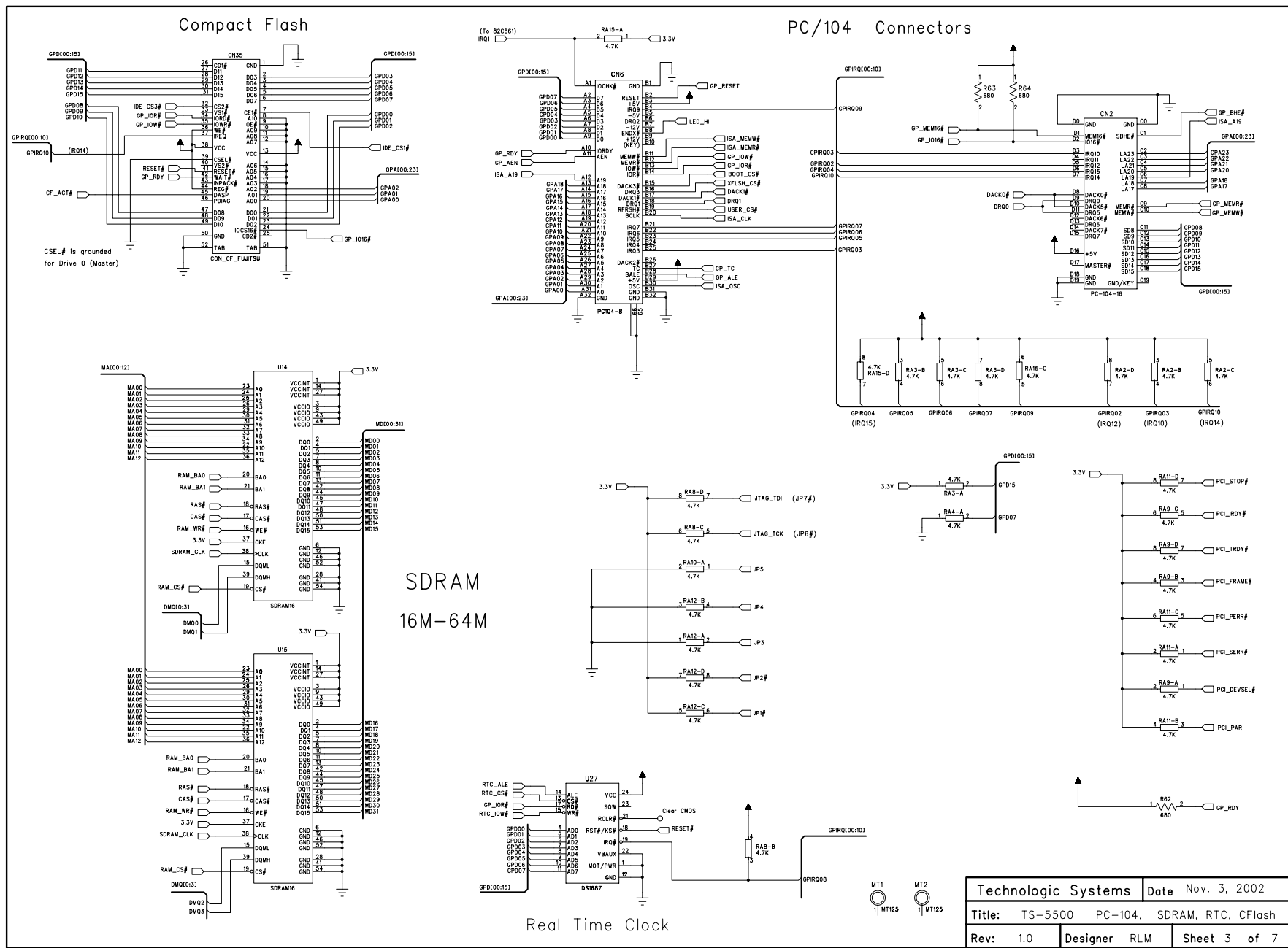
Technologic Systems		Date Nov. 3, 2002	
Title: TS-5500 Elan 520			
Rev: 1.0	Designer RLM	Sheet 1 of 7	



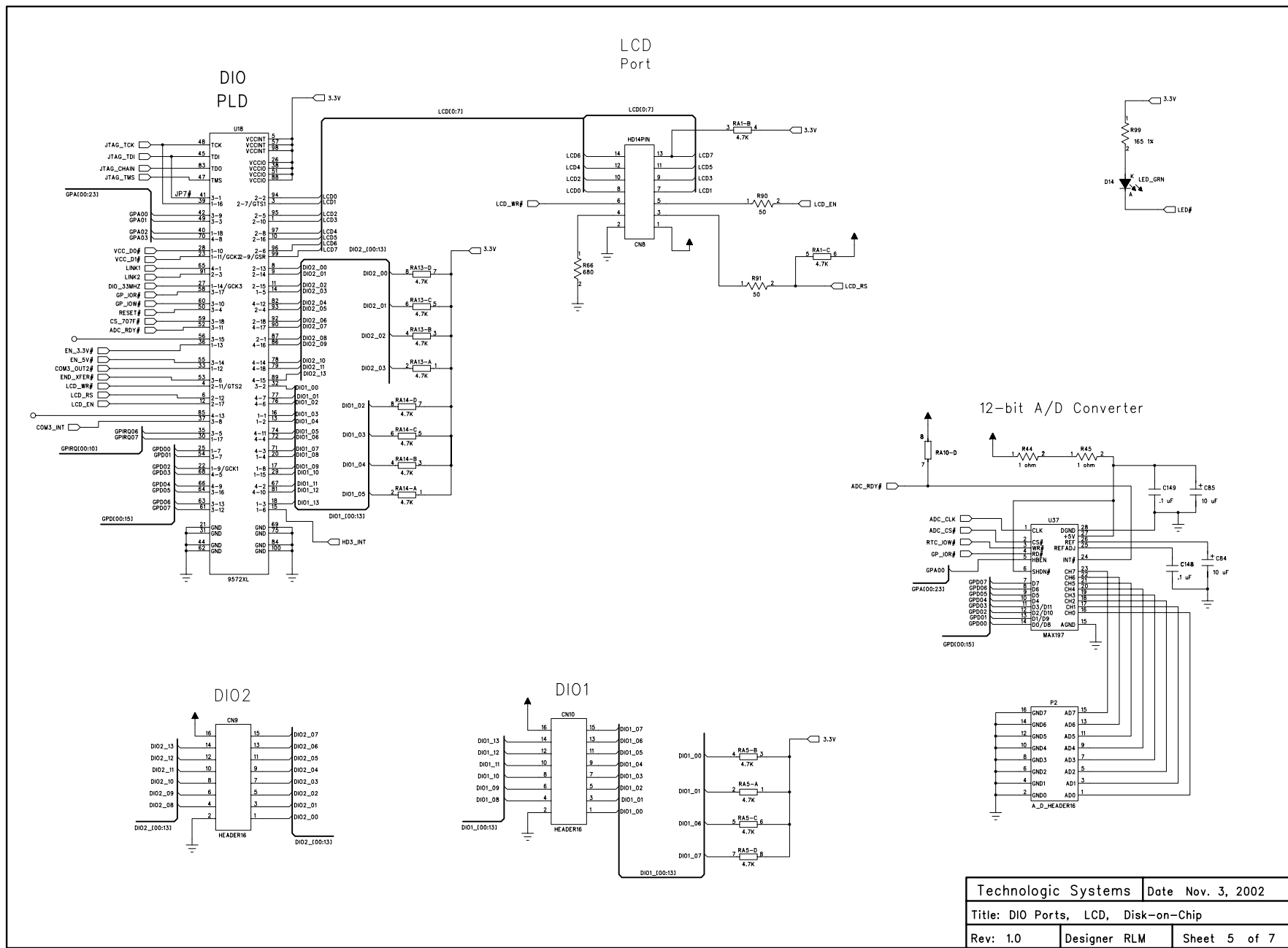
Analog GND must connect to GND plane at a single point

SIPEX SP2026-1EN \$0.82 per Future

Technologic Systems	Date Nov. 3, 2002
Title: TS-5500 Power, USB, Flash	
Rev: 1.0	Designer RLM Sheet 2 of 7



Technologic Systems	Date Nov. 3, 2002
Title: TS-5500 PC-104, SDRAM, RTC, CFflash	
Rev: 1.0	Designer RLM Sheet 3 of 7



Technologic Systems	Date Nov. 3, 2002
Title: DIO Ports, LCD, Disk-on-Chip	
Rev: 1.0	Designer RLM Sheet 5 of 7

