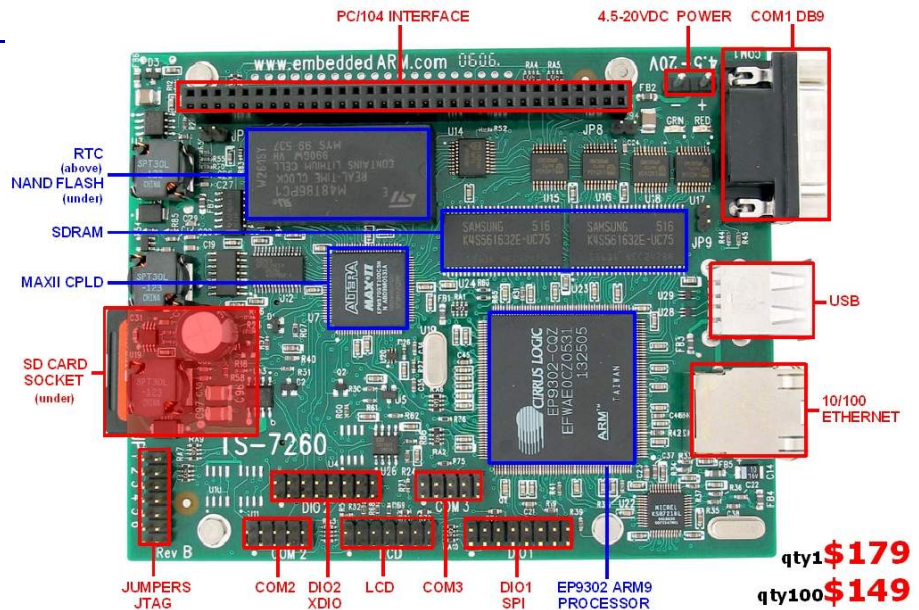


OVERVIEW

The TS-7260 is a compact full-featured Single Board Computer (SBC) based upon the Cirrus EP9302 ARM9 CPU, which provides a standard set of on-board peripherals. The EP9302 features an advanced ARM920T 200 MHz processor design with MMU.

TS-7260 includes software **power consumption control** for on-board peripherals, making this board ideal for use in power sensitive designs, such as **battery-powered** systems. In addition, the **TS-XDIO** standard feature can be replaced by either **2 extra serial ports** or an **SD Card socket**, which enables fast boot to **Debian Linux** from a SD Card.



FEATURES

- Requires less than 1 watt for full-speed operation
- 1/4 watt at lower speeds
- High efficiency switching-mode power supply (4.5-20 VDC Unregulated Input)
- TS-Linux Embedded Operating System Installed
- 200Mhz ARM9 CPU with MMU
- 32 MB on-board NAND flash (128 MB optional)
- 32 MB SDRAM (64 or 128 MB optional)
- Standard TS-XDIO (8 schmitt-trigger DIO - PWM, quadrature counter, edge counter, pulse timer)
- Optional SD Card socket instead of TS-XDIO
- Optional 2 TTL serial ports instead of TS-XDIO
- 2 USB 2.0 Compatible OHCI ports (12 Mbit/s Max)
- 10/100 Ethernet port
- 30 total DIO pins
- Watchdog timer
- 2-channel on-board 12-bit A/D Converter
- PC/104 expansion bus
- SPI bus interface
- Matrix Keypad and Alphanumeric LCD interfaces
- Fanless -40° to +70°C, +85°C w/ CPU@166Mhz
- Small size: 3.8 x 4.8 inches (9.7 cm x 11.5 cm)
- Optional Battery Backed Real Time Clock (RTC)
- Optional Linux Supported USB 802.11g WIFI
- Visit [TS-7260 webpage](http://www.embeddedARM.com) for further information

LINUX FOR ARM

TS-7260 SBC includes TS-Linux embedded OS for ARM installed by default in Flash memory. Debian Linux can also be used with larger Flash drives. Both are full featured real-time capable Linux systems.



DEVELOPMENT KIT



The TS-ARM Development Kit includes the Debian Linux on a 256 MB Flash drive, all the documentation, a CD with Linux Kernel and application source codes, a power supply, and various cables and connectors.

PC/104 PERIPHERALS

Technologic Systems offers a wide range of peripherals via the PC/104 Bus to extend the functionality of the TS-7060 SBC. Features include Video, CAN bus, serial and ethernet ports, DIO, etc.



We have been in business over 20 years!

We've built our business on excellent products, low prices and exceptional support. We sell a wide variety of off-the-shelf PC/104 SBC's and peripherals, and offer custom configurations and designs with excellent pricing and turn around time.

Technologic Systems has never discontinued a product. You can count on long term availability when you include our SBC's and peripherals in your design.