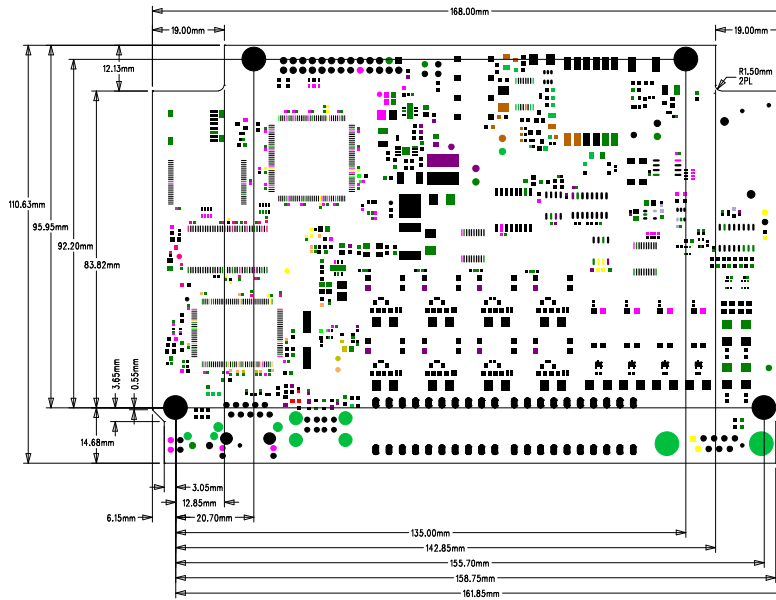


FABRICATION DRAWING-FAB



2011-MAR-30
 PCB DESIGN BY:
 JAG DESIGN, LLC
 www.jagpcb.com
 JAG-1125
 DESIGNED FOR:
 TECHNOLOGIC SYSTEMS
 P/N TS-7558
 REV. A

PRIMARY SIDE L1-PL1

6-LAYER STACK-UP

