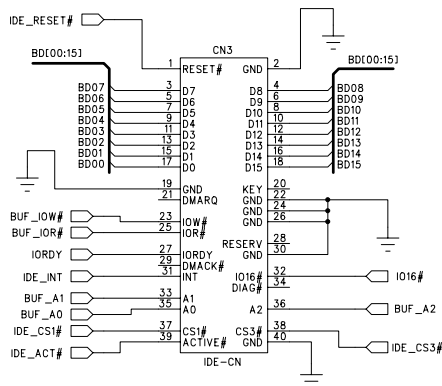
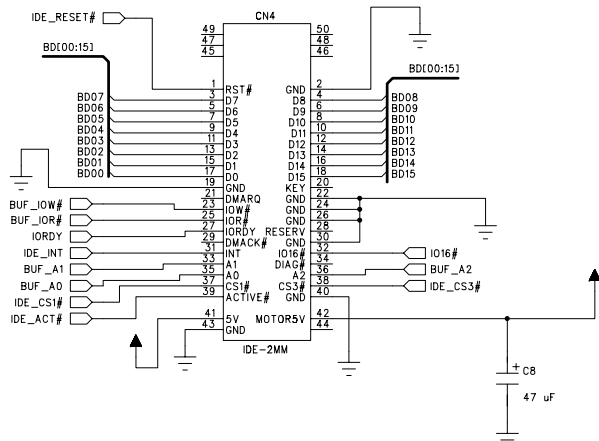
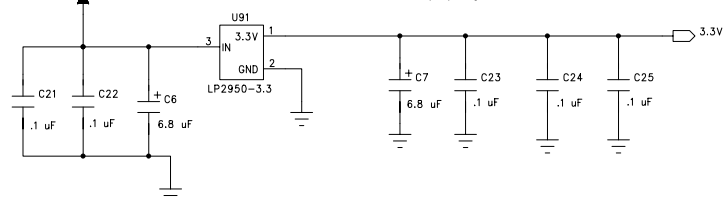


TECHNOLOGIC SYSTEMS	DATE: Sept.18, 2002
TITLE: TS-9600 PC/104 PLD	
REV: 1.0	REV. DATE:
DESIGNER: RLM	SHEET: 1 OF 2

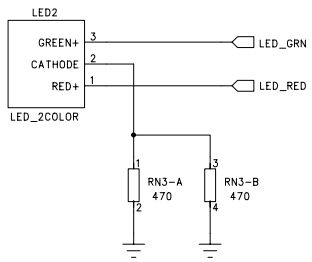
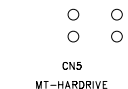
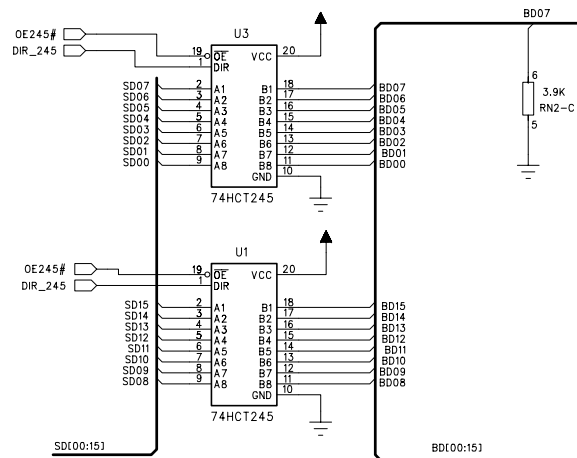
### IDE Headers



### 3.3V Power Supply



### Data Buffers



TECHNOLOGIC SYSTEMS	DATE: Sept. 18, 2002
TITLE: TS-9600 IDE Data Buffers	
REV: 1.0	REV. DATE:
DESIGNER: RLM	SHEET: 2 OF 2