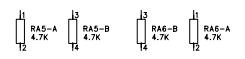
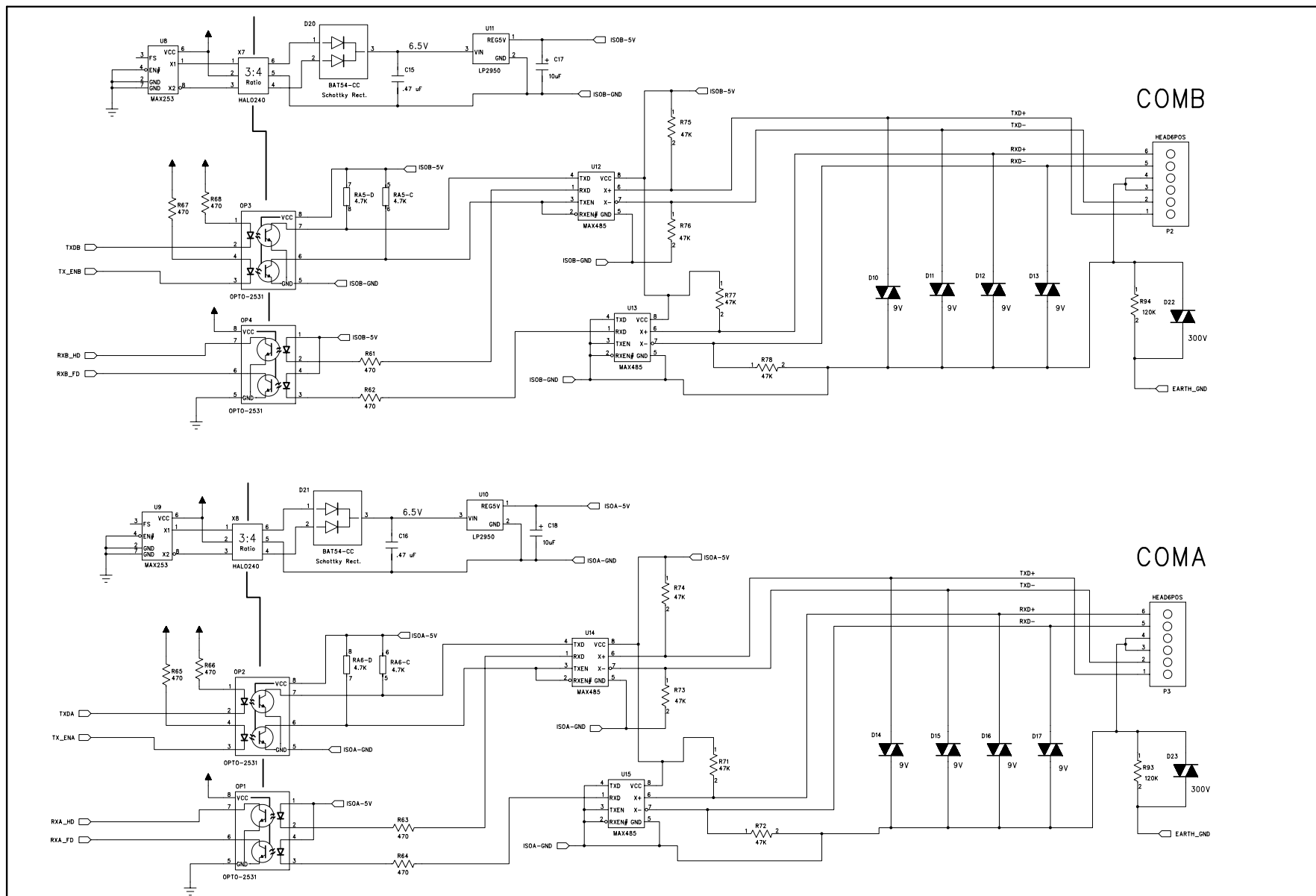


- Jumpers:**
- 3 - COM Address
 - 2 - Select 2-wire mode
 - 1 - Share IRQ
 - 3 - IRQ Select

Technologic Systems	Date	March 18, 2004
Title: TS-ISO-485 PC/104, Decode PLD, UARTs		
Rev: 1.0	Designer	RLM
		Sheet 1 of 2



Technologic Systems	Date March 18, 2004
Title: TS-ISO-485 Isolated drivers	
Rev:	Designer RLM Sheet 2 of 2