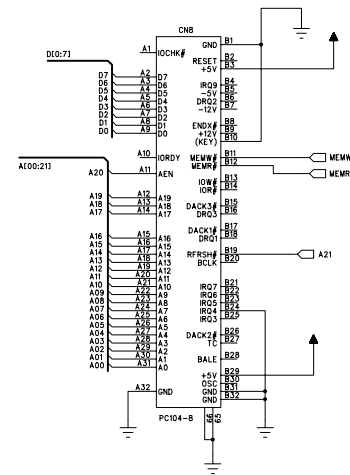
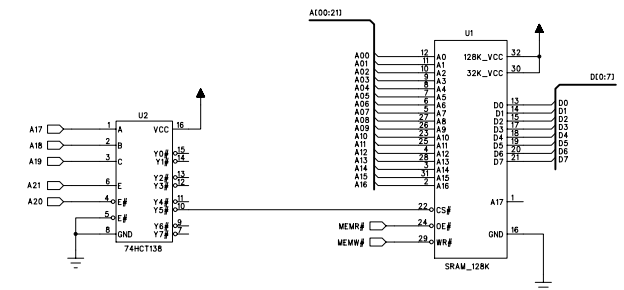


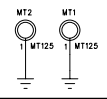
PC/104 Connector



32 Kbytes  
or  
128 Kbytes



Battery-Backed  
SRAM



Technologic Systems		Date April 22, 2005
Title: TS-NVRAM		
Rev: 1.0	Designer RLM	Sheet 1 of 1