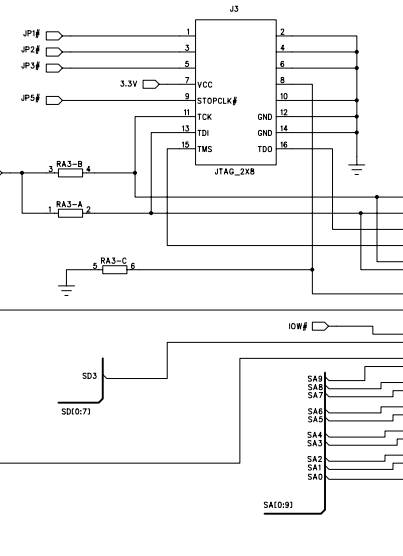
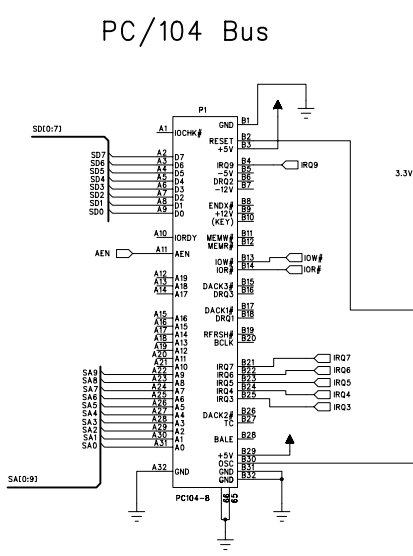
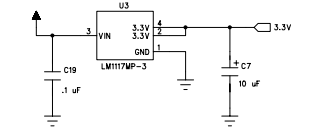


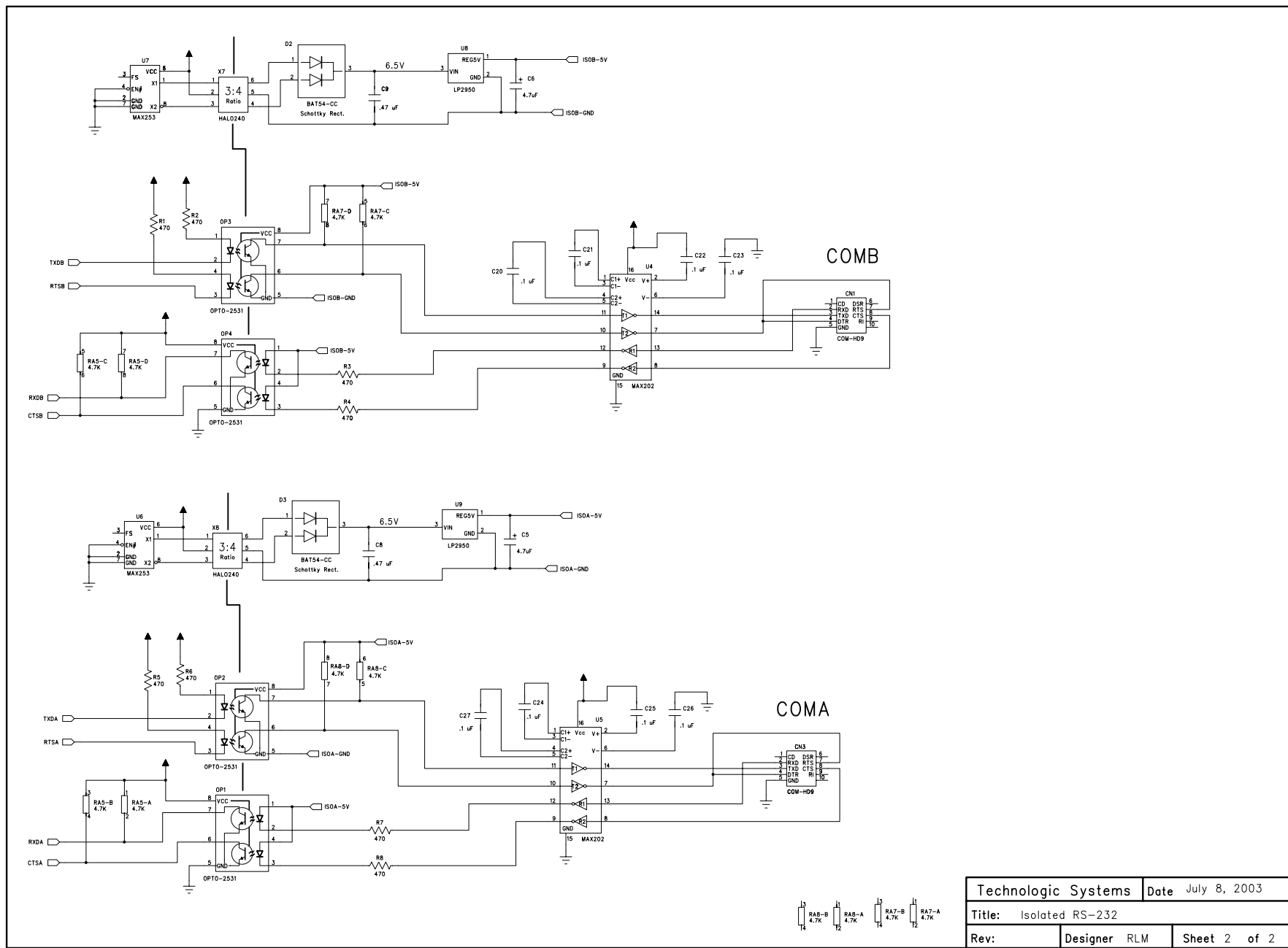
Ti # TL16C552 has internal 10K Pull-up Res. on STB, AFD, SLIN, and INIT



Jumpers:
 3 - COM Address
 2 - Par Address
 1 - 2x Baud
 1 - Shore COM IRQ



Technologic Systems		Date	July 8, 2003
Title: TS-SER2		Rev	B
Rev: 1.0	Designer	RLM	Sheet 1 of 1



Technologic Systems	Date July 8, 2003
Title: Isolated RS-232	
Rev:	Designer RLM Sheet 2 of 2

