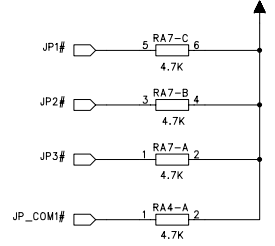
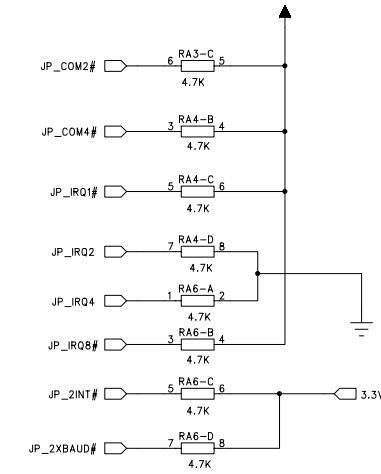
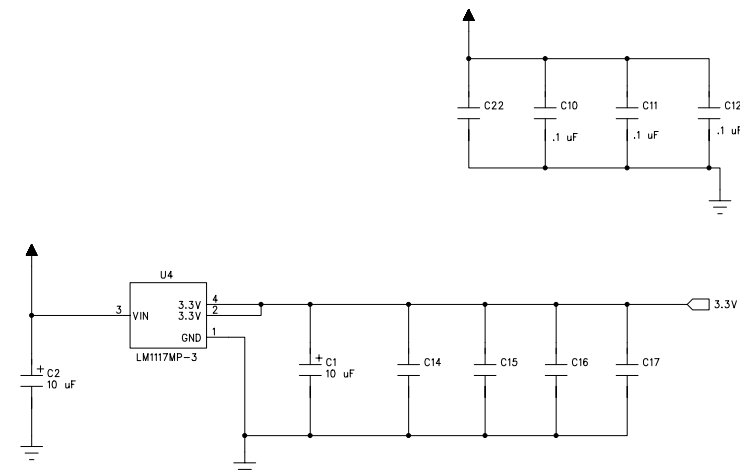


PC/104 Bus



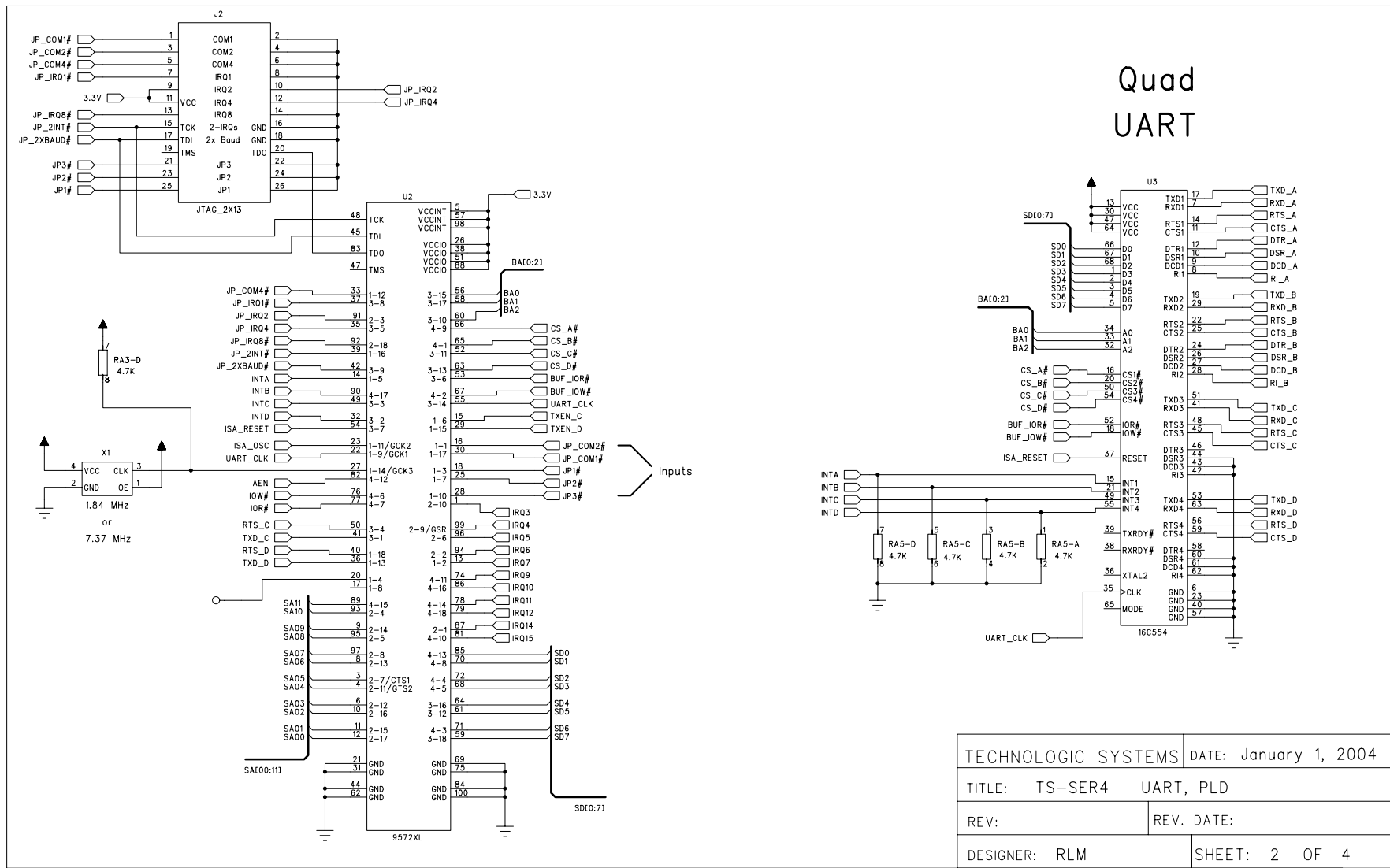
- COM1 = 3F8
- COM2 = 2F8
- COM3 = 3E8
- COM4 = 2E8
- COM5 = 3A8
- COM6 = 2A8
- COM7 = 3A0
- COM8 = 2A0
- COM9 = 398
- COM10 = 298
- COM11 = 390
- COM12 = 290

- COM13 = 378
- COM14 = 278
- COM15 = 368
- COM16 = 268
- COM17 = 328
- COM18 = 228
- COM19 = 320
- COM20 = 220
- COM21 = 318
- COM22 = 218
- COM23 = 310
- COM24 = 210

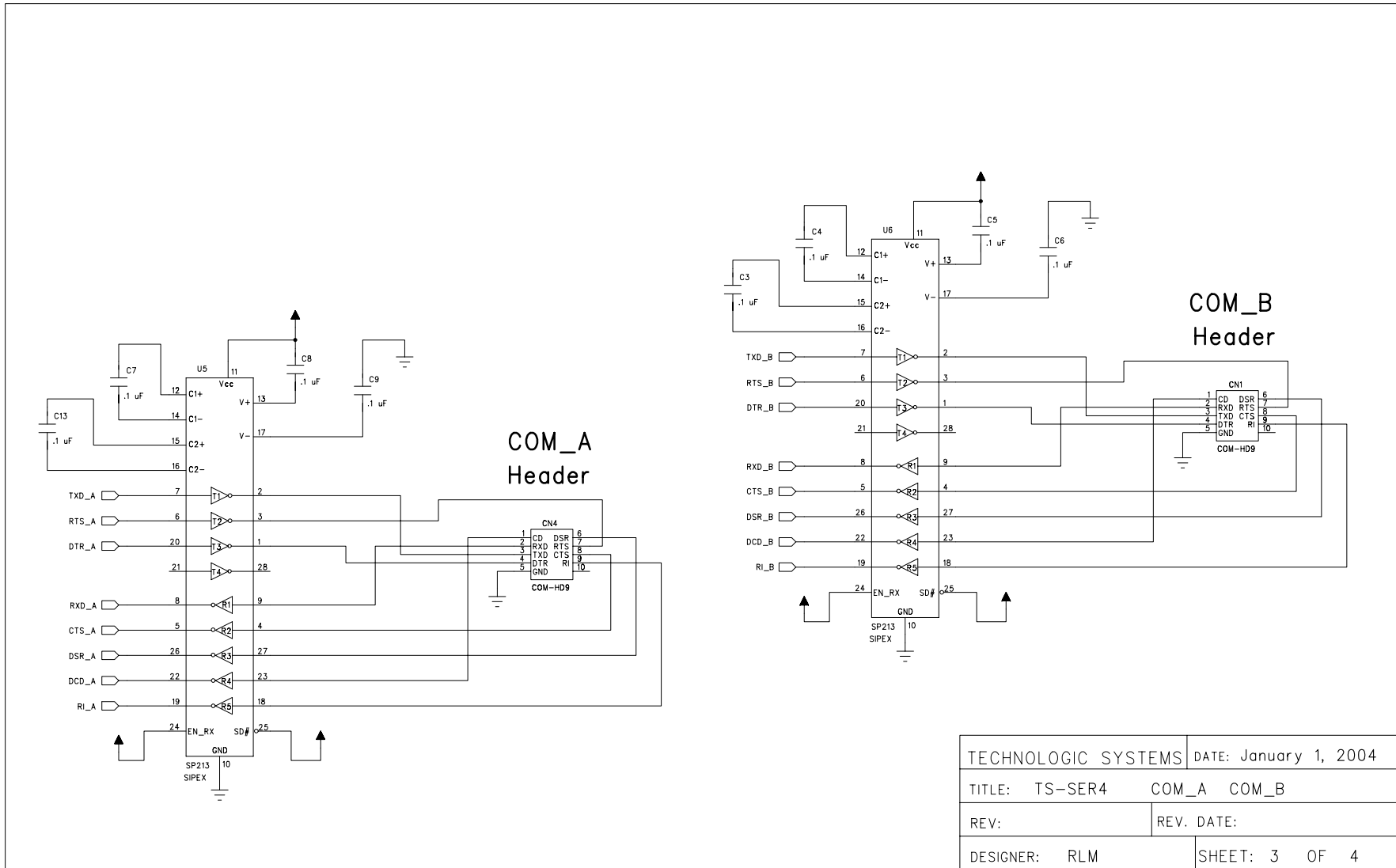


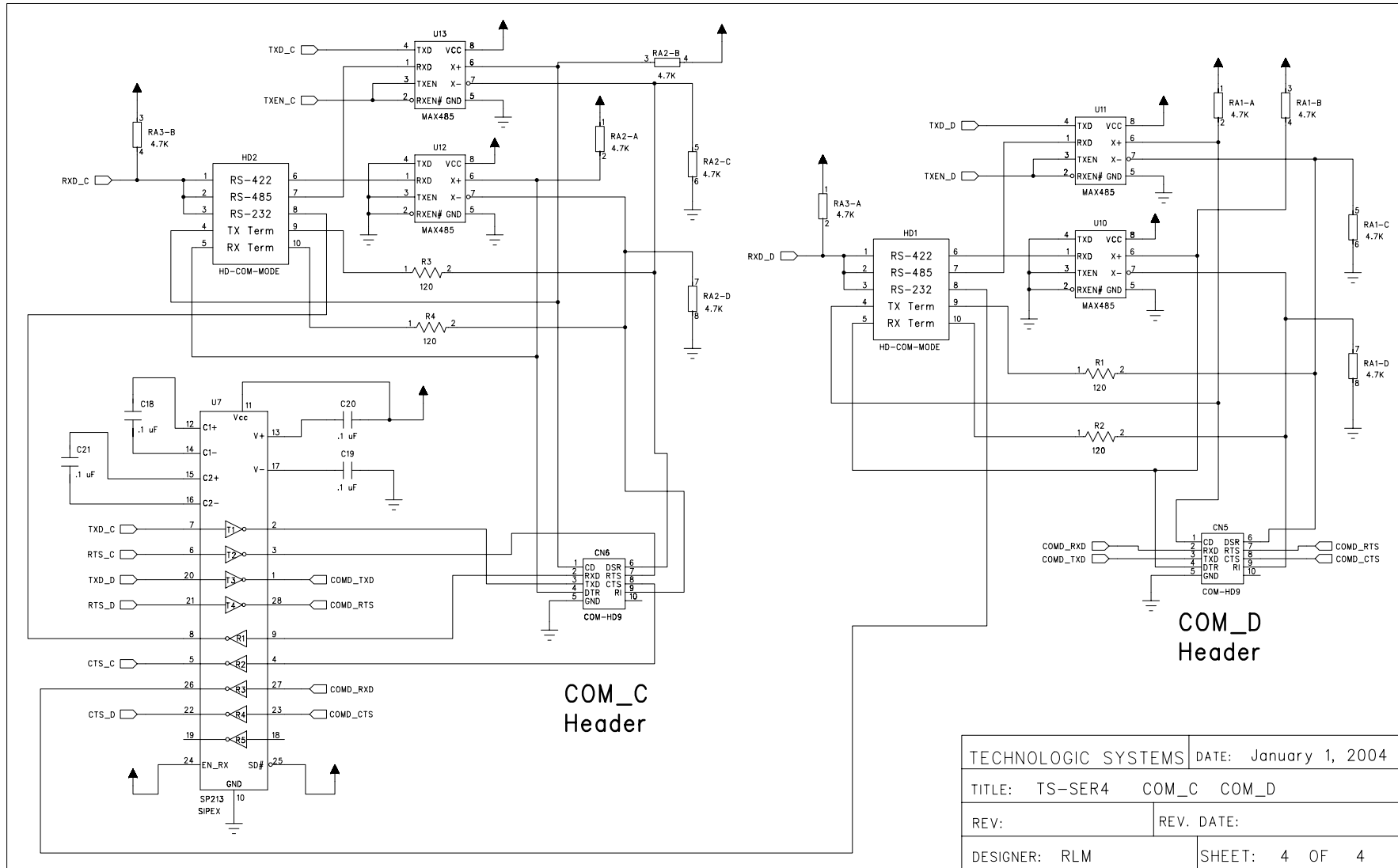
TECHNOLOGIC SYSTEMS		DATE: January 1, 2004
TITLE: TS-SER4 PC/104, Power		
REV: 1.0	REV. DATE:	
DESIGNER: RLM	SHEET: 1 OF 4	

Quad UART



TECHNOLOGIC SYSTEMS	DATE: January 1, 2004
TITLE: TS-SER4 UART, PLD	
REV:	REV. DATE:
DESIGNER: RLM	SHEET: 2 OF 4





TECHNOLOGIC SYSTEMS	DATE: January 1, 2004
TITLE: TS-SER4 COM_C COM_D	
REV:	REV. DATE:
DESIGNER: RLM	SHEET: 4 OF 4