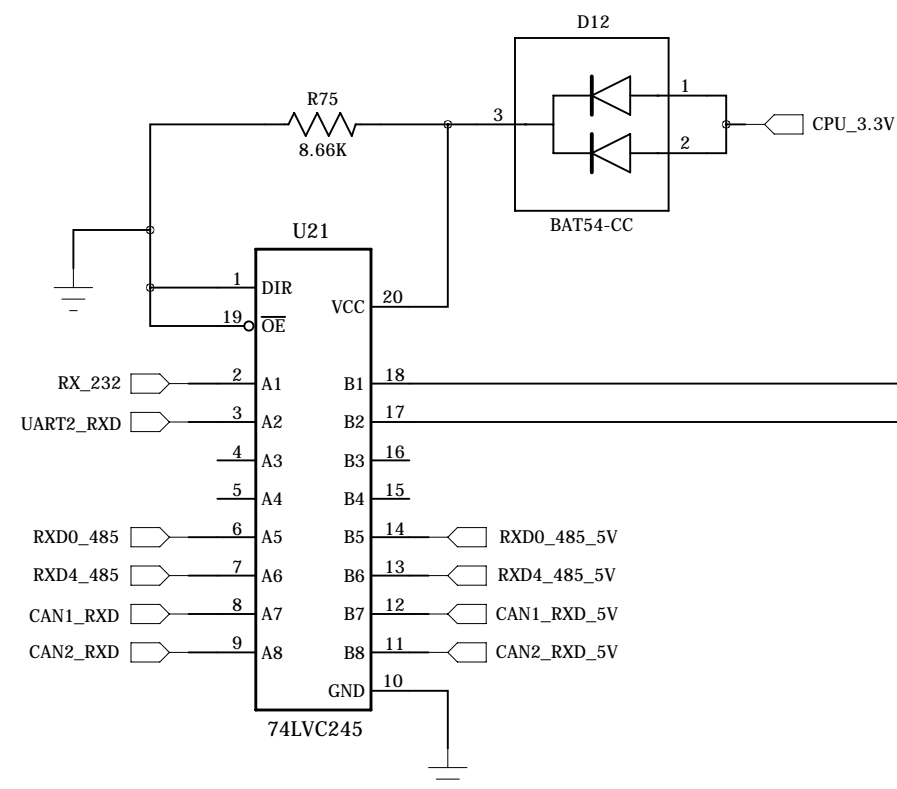
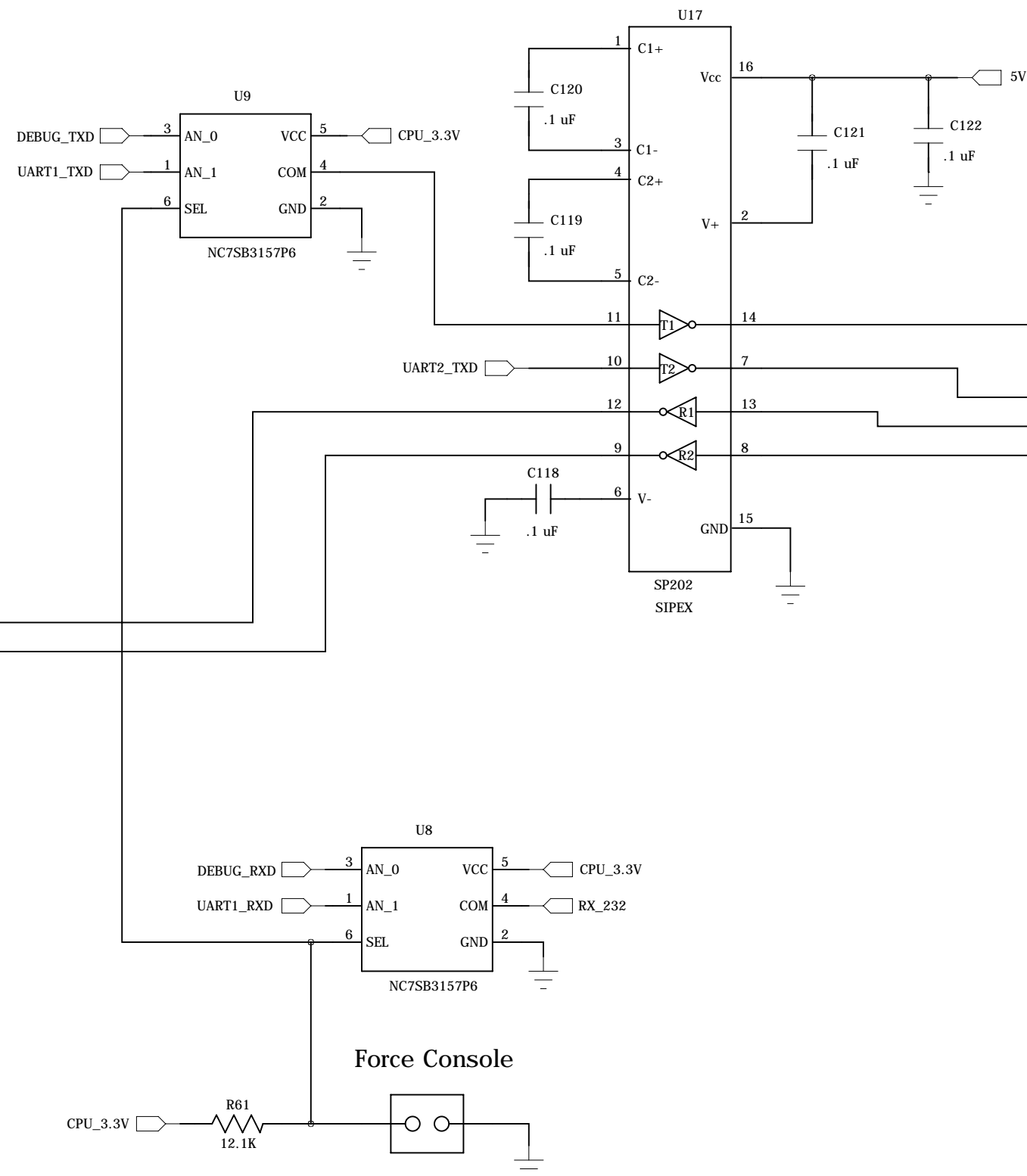


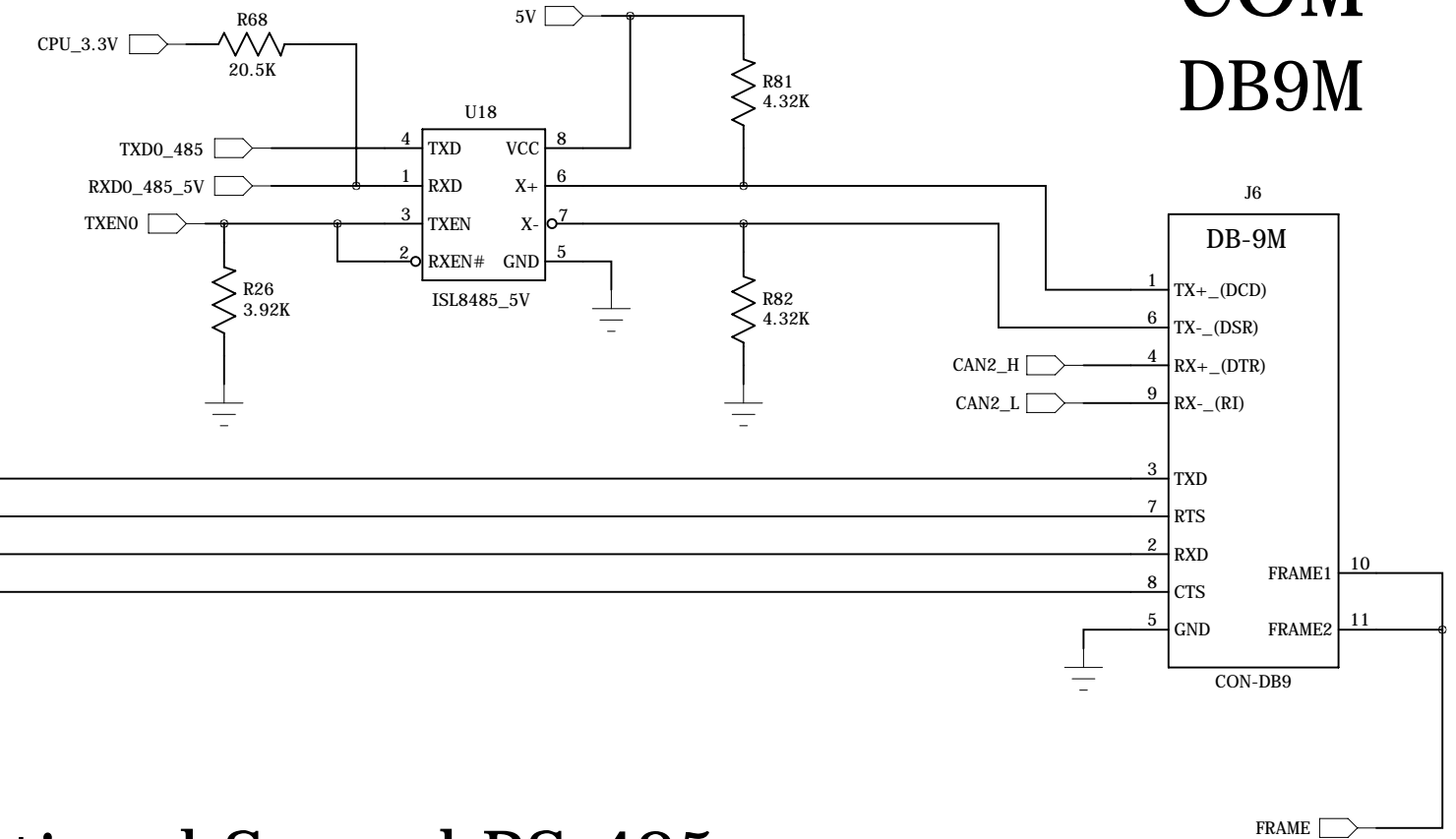
2.9V <-- 5V Level shifter



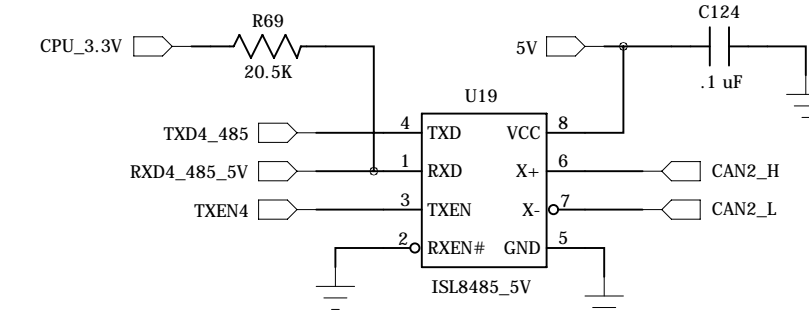
RS-232 Transceiver



RS-485 Driver

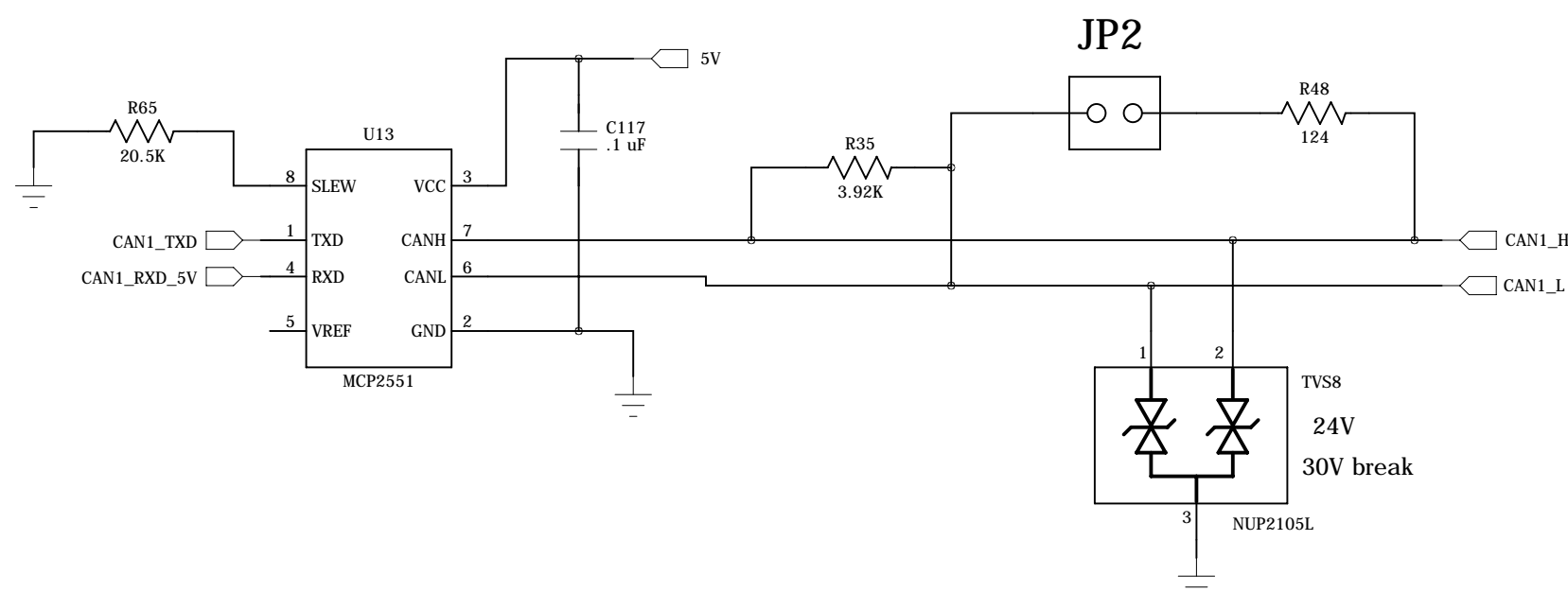


Optional Second RS-485

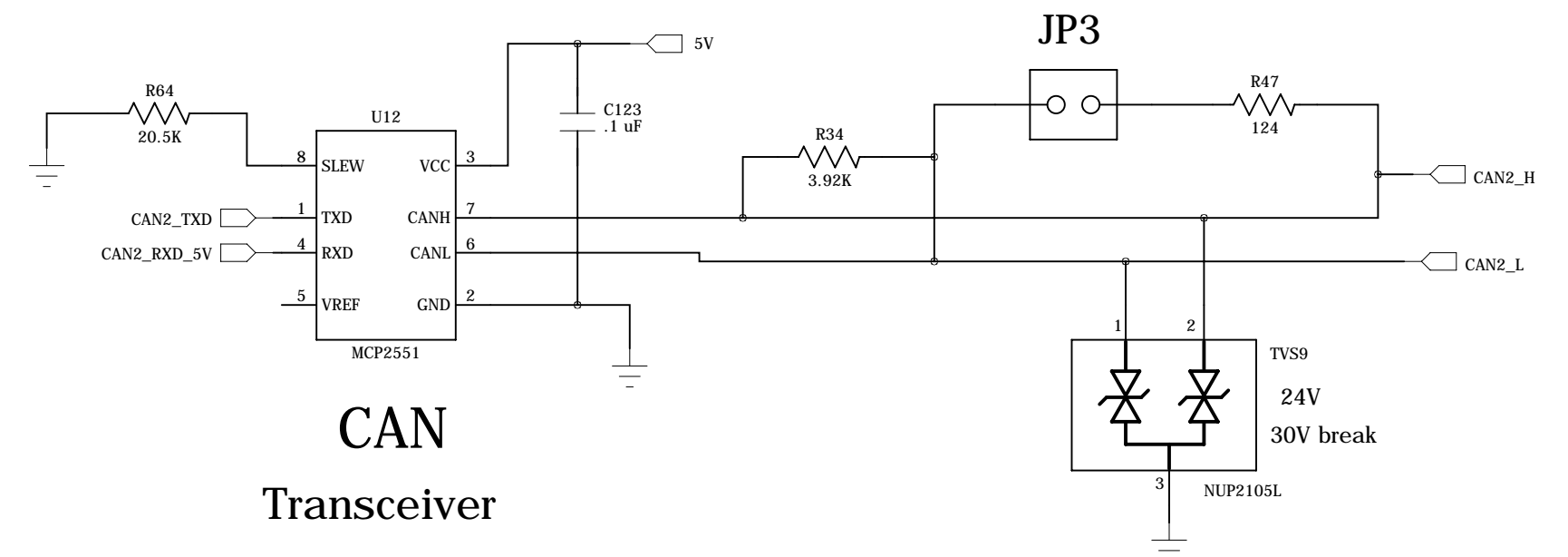


If this transceiver is populated,
then CAN2 must be de-populated

CAN Transceiver #1

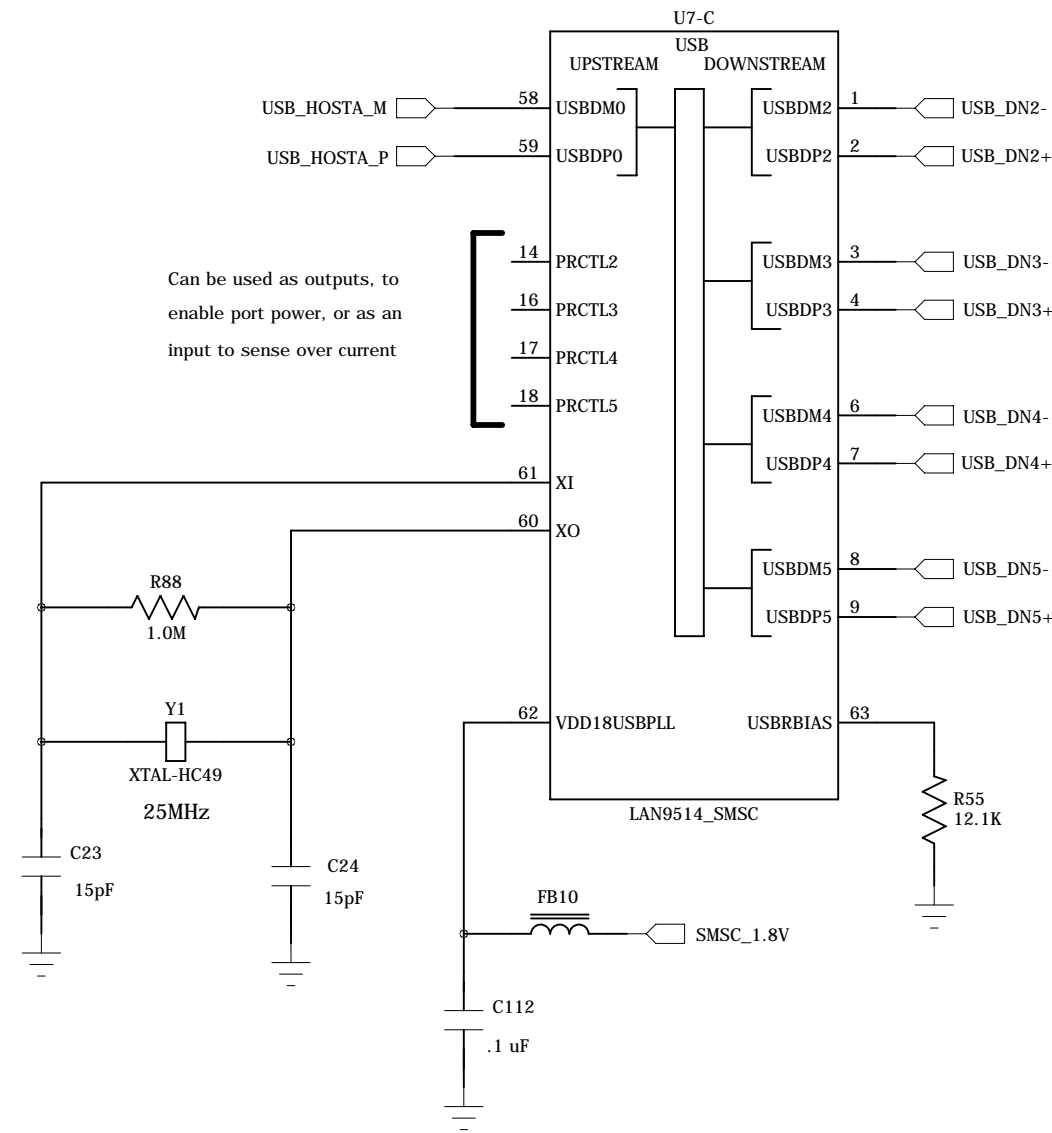


CAN Transceiver #2

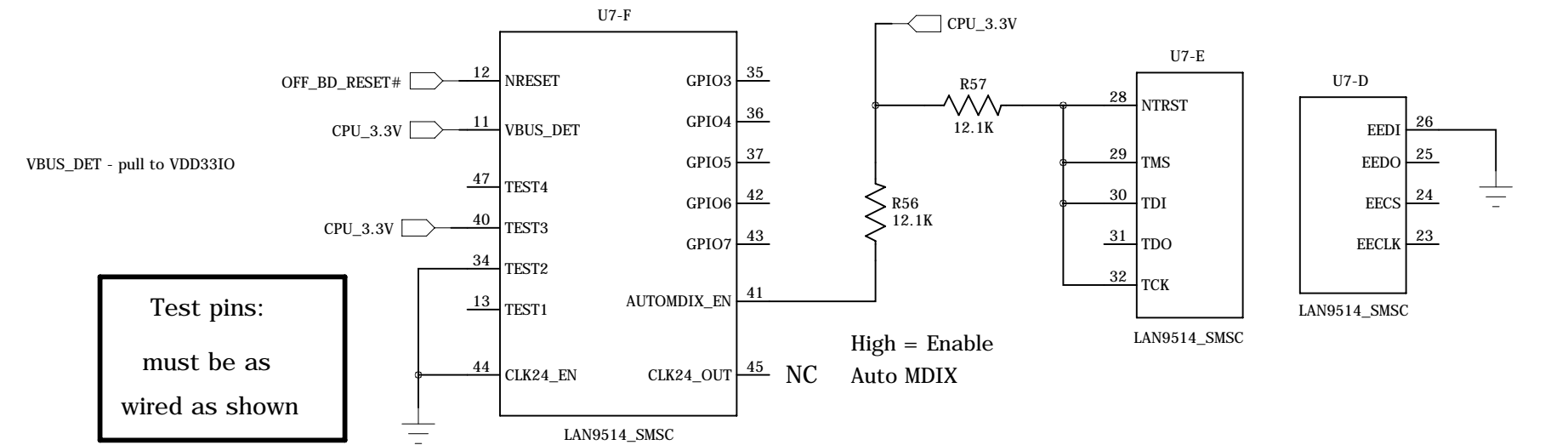
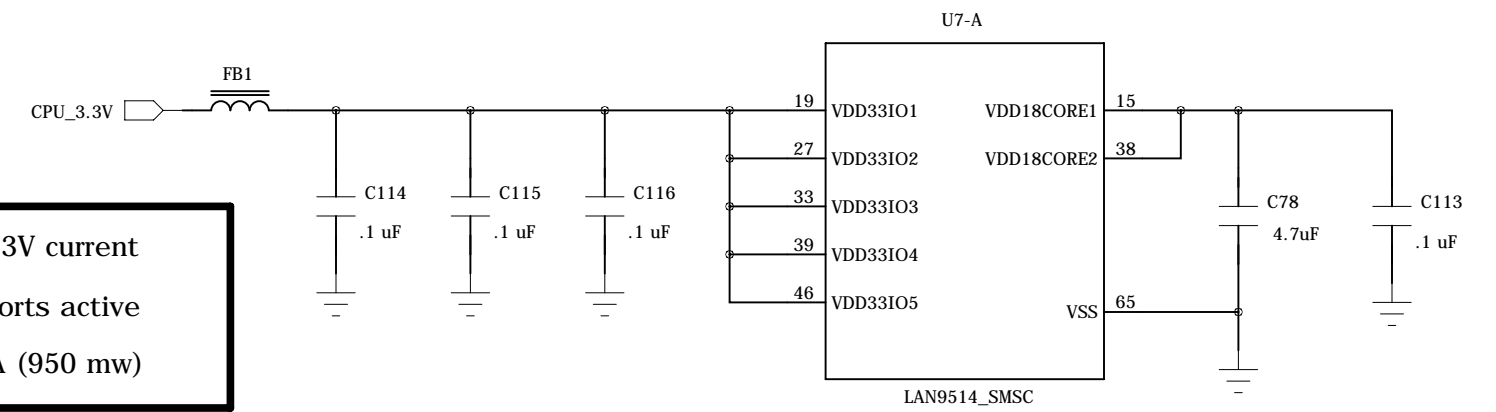


USB Ports

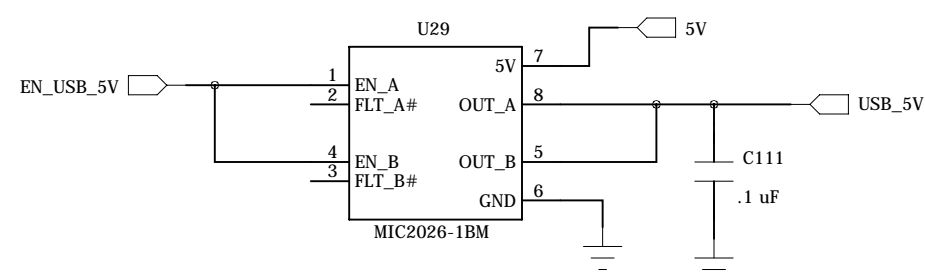
SMSC USB Hub



Typical 3.3V current with all ports active is 288 mA (950 mw)

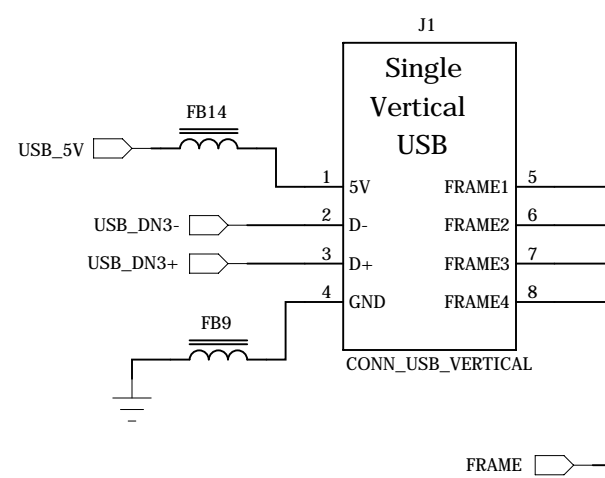


USB Power Switch

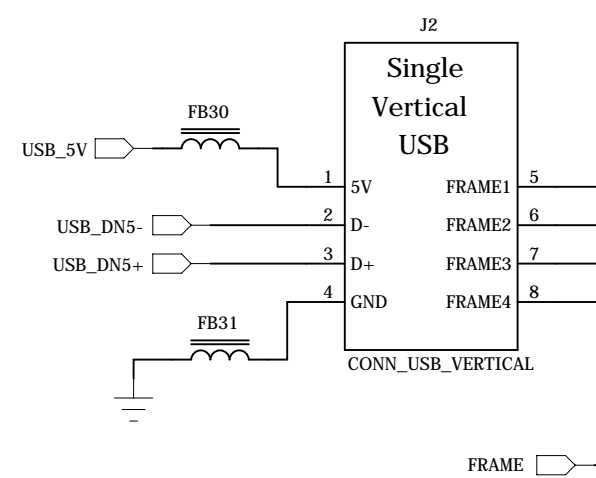


1400 mA typ. current limit

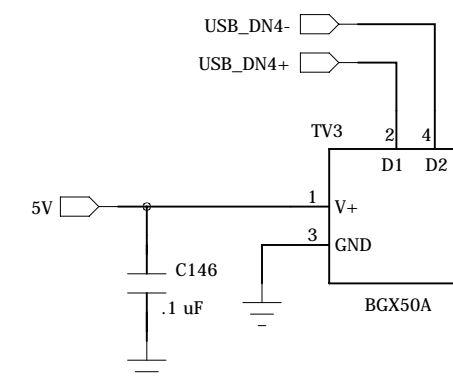
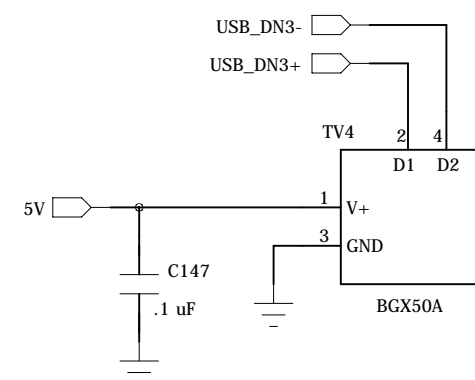
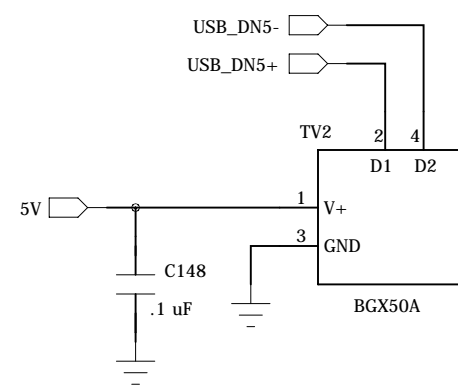
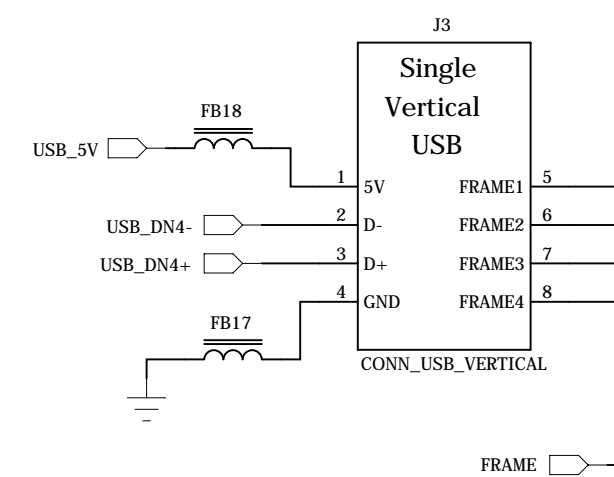
USB 1



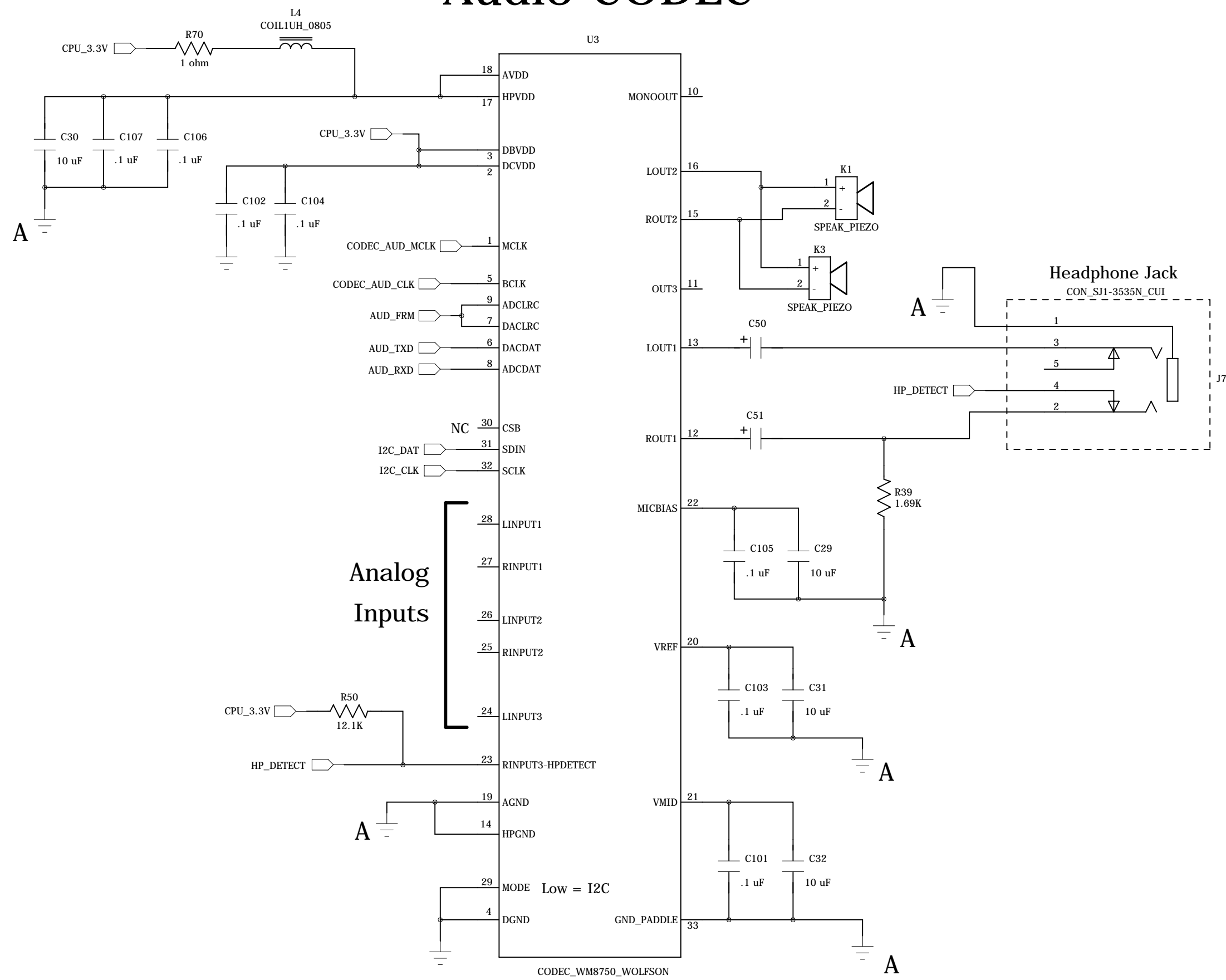
USB 2



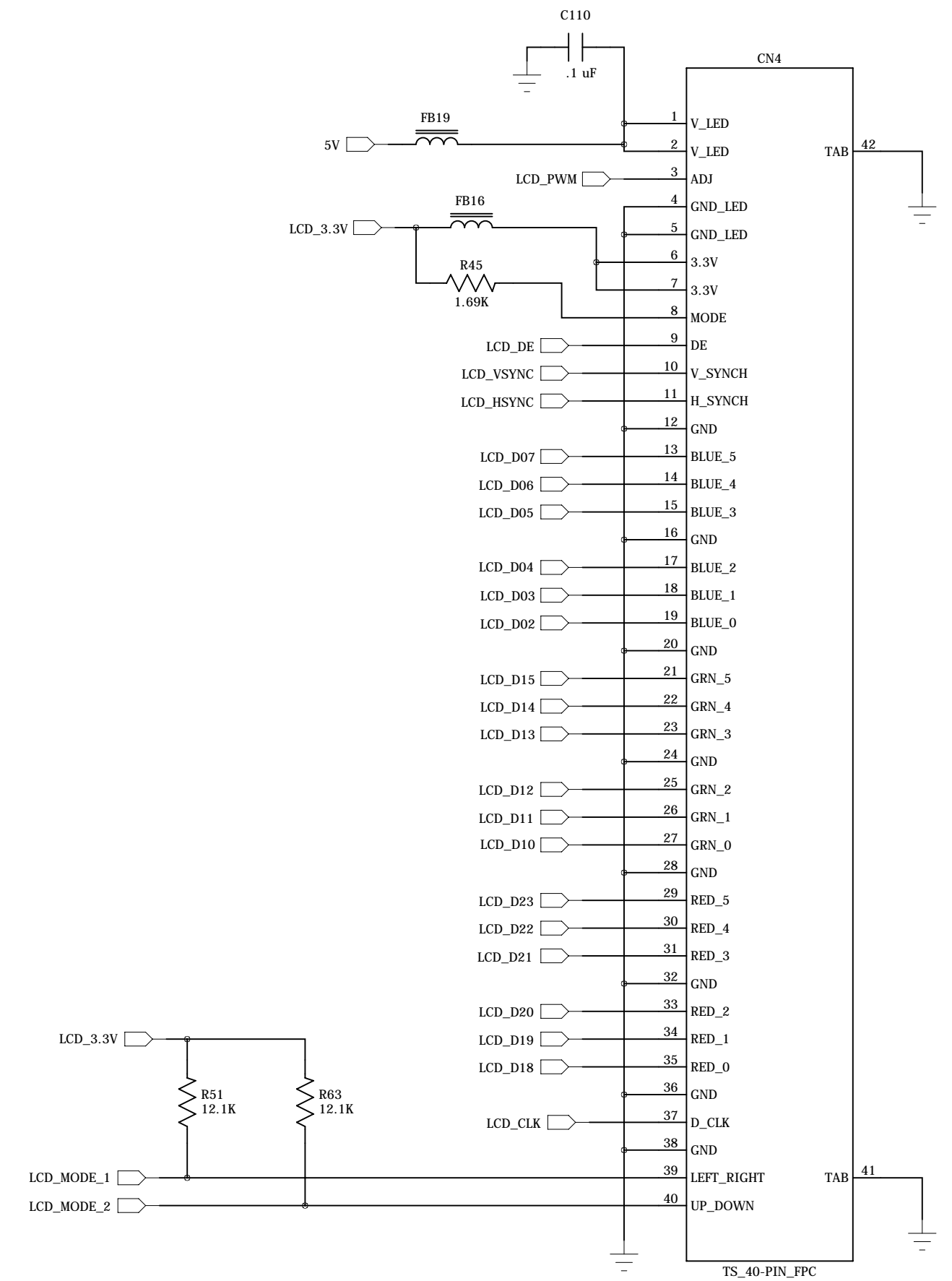
USB 3



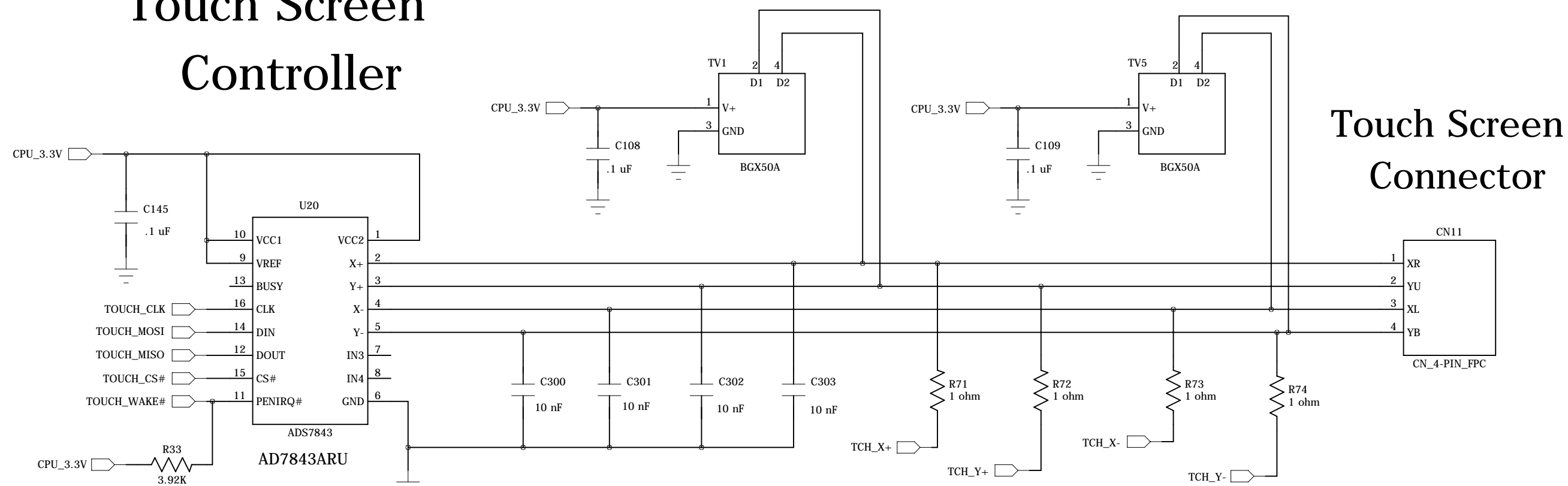
Audio CODEC



LCD Conn.



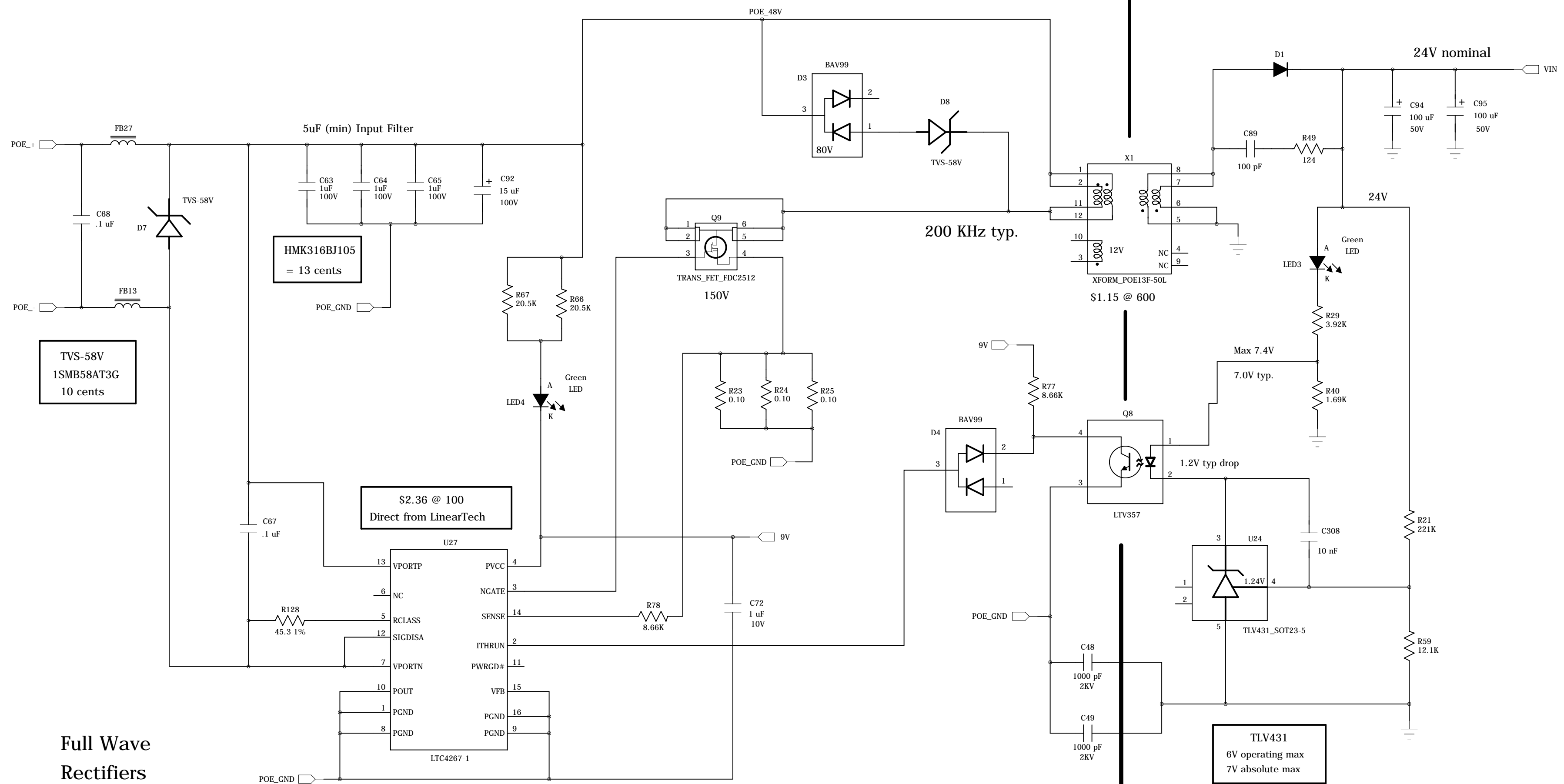
Touch Screen Controller



Touch Screen Connector

POE Side 48V DC Input

Reg. 24V Out



TVS-58V
1SMB58AT3G
10 cents

HMK316BJ105
= 13 cents

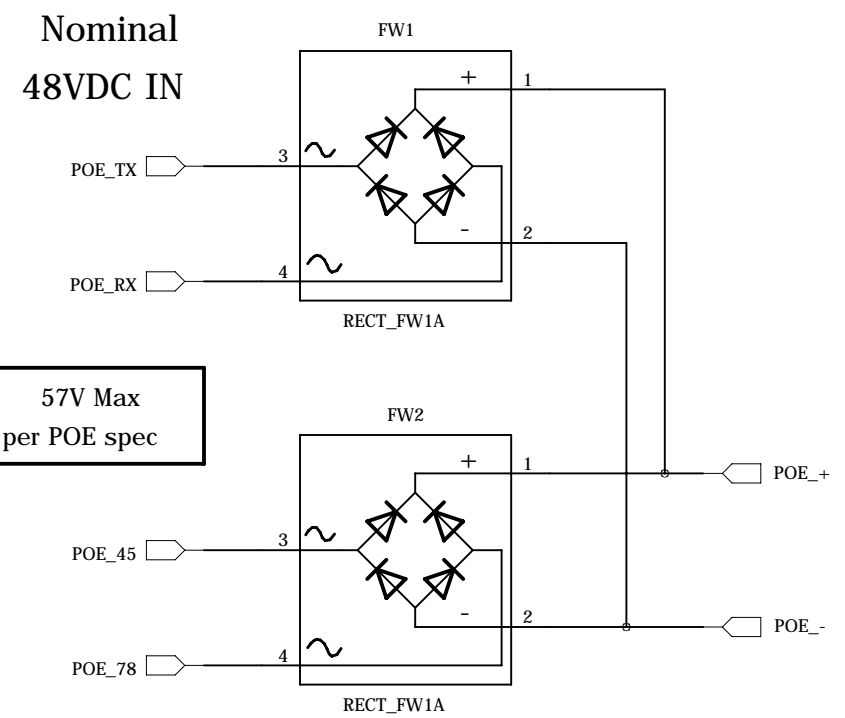
\$2.36 @ 100
Direct from LinearTech

202R18W102KV4E
1000 pF @ 2KV
4.5 cents @ 3K

TLV431
6V operating max
7V absolute max

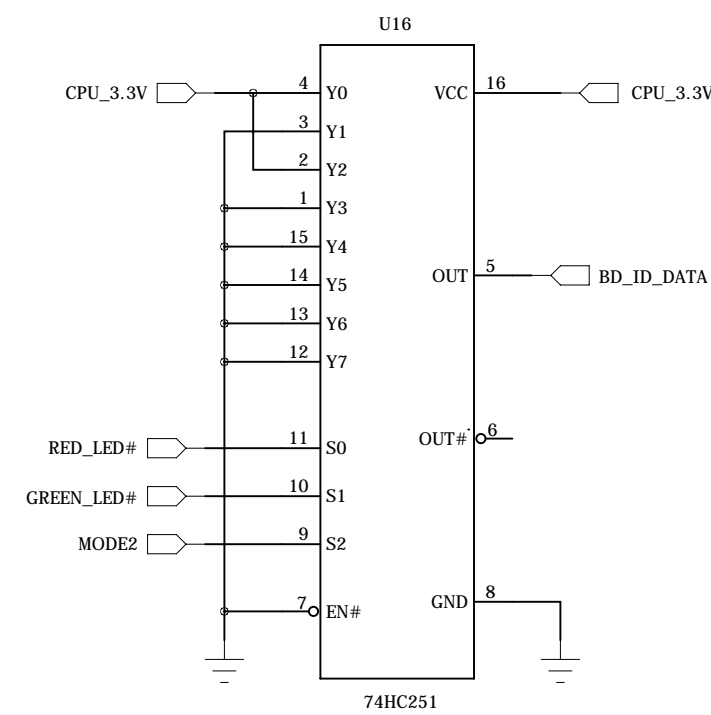
Power Good Circuit
is optional

Full Wave Rectifiers

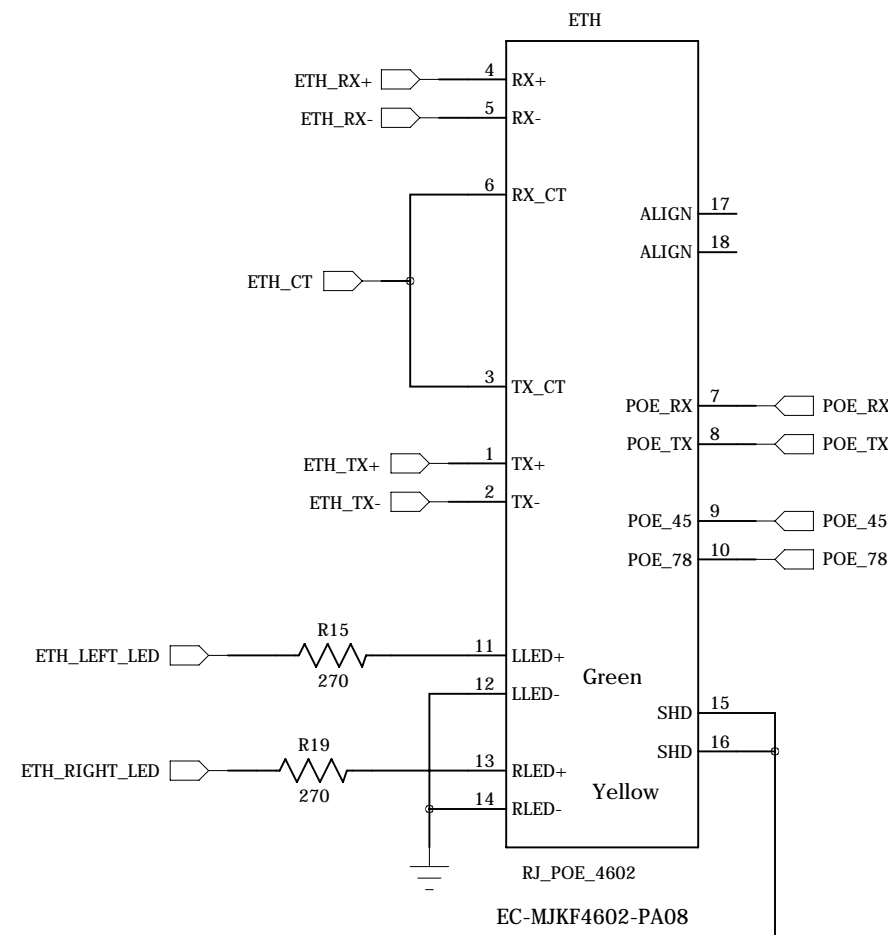


Board ID = 5

10/100 Ethernet

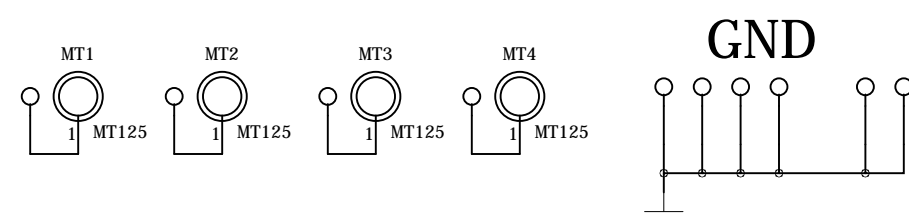
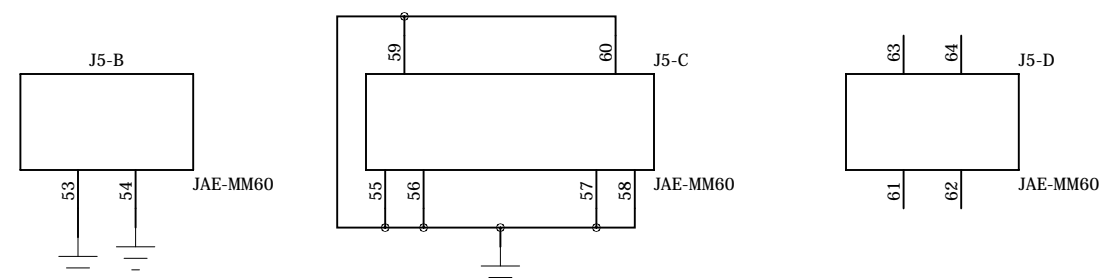
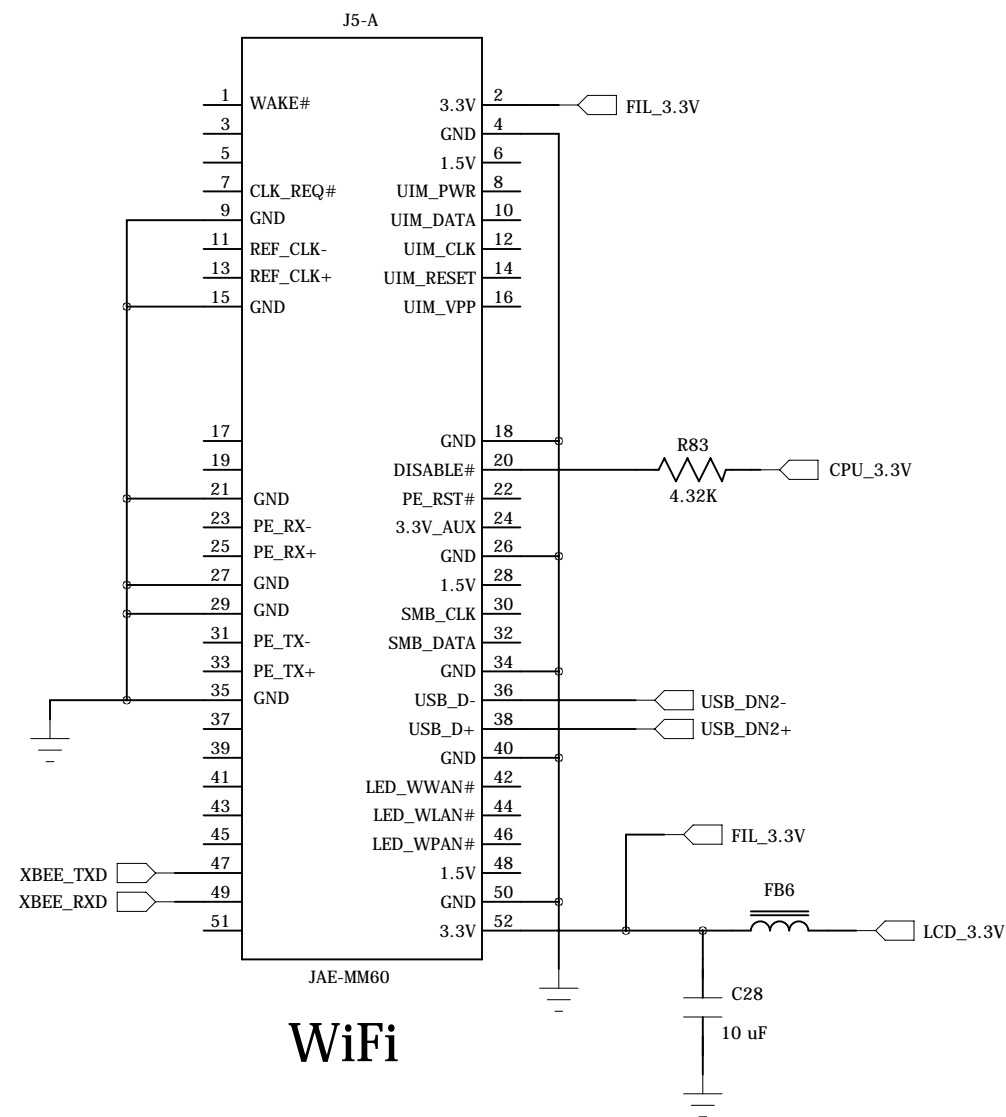


74AC151, 74AC251, 74HC151 are 2nd sources in SOIC

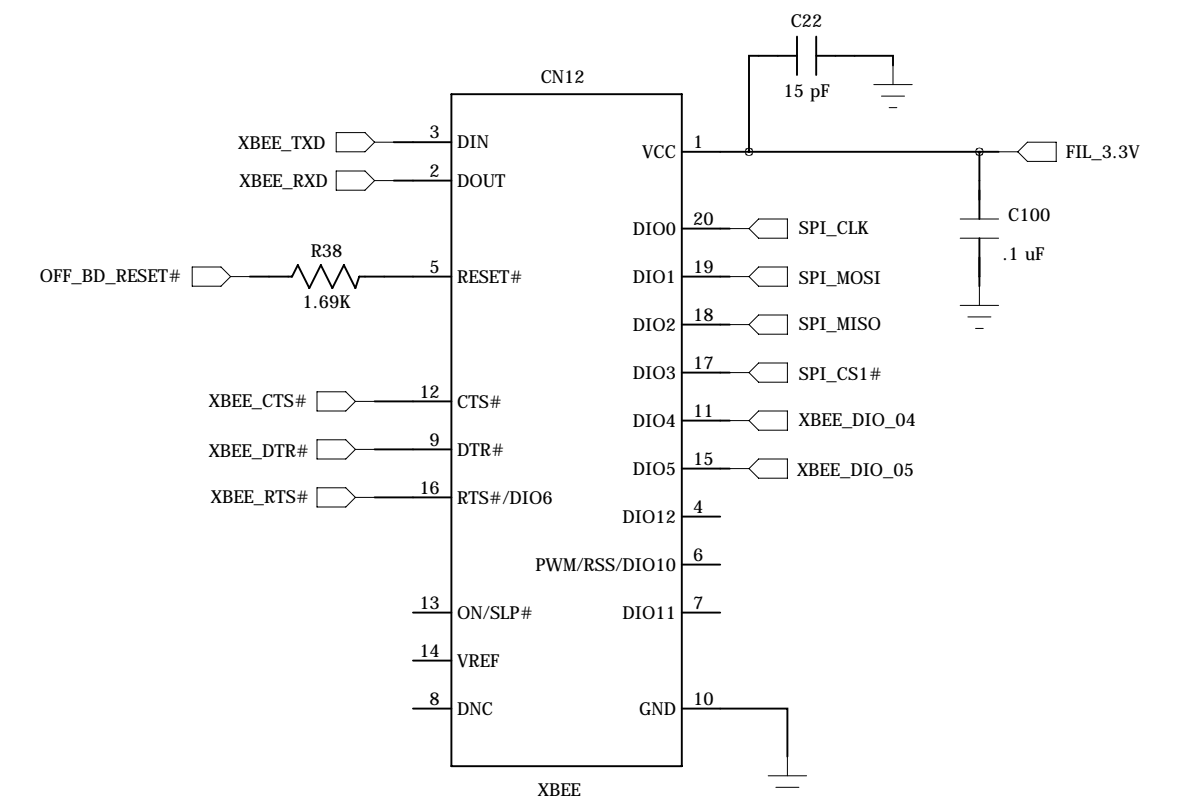


Left LED (Green)
Link / Activity

Mini PCIe Socket



Digi/MaxStream ZigBee Radio



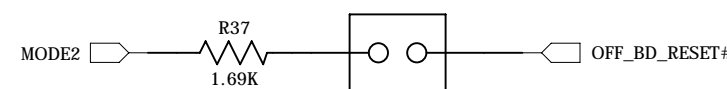
10-pin 2mm socket
S5751-10-ND
56 cents / 100

CTS# is an output
that can be used for
hardware flow control

Reset# must be driven
with Open drain

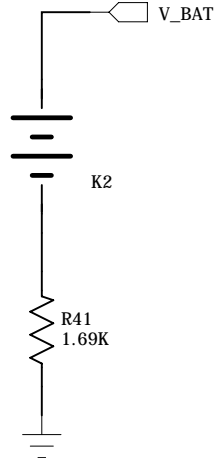
Baud rates up to
230.4K supported

Force Boot to SD card

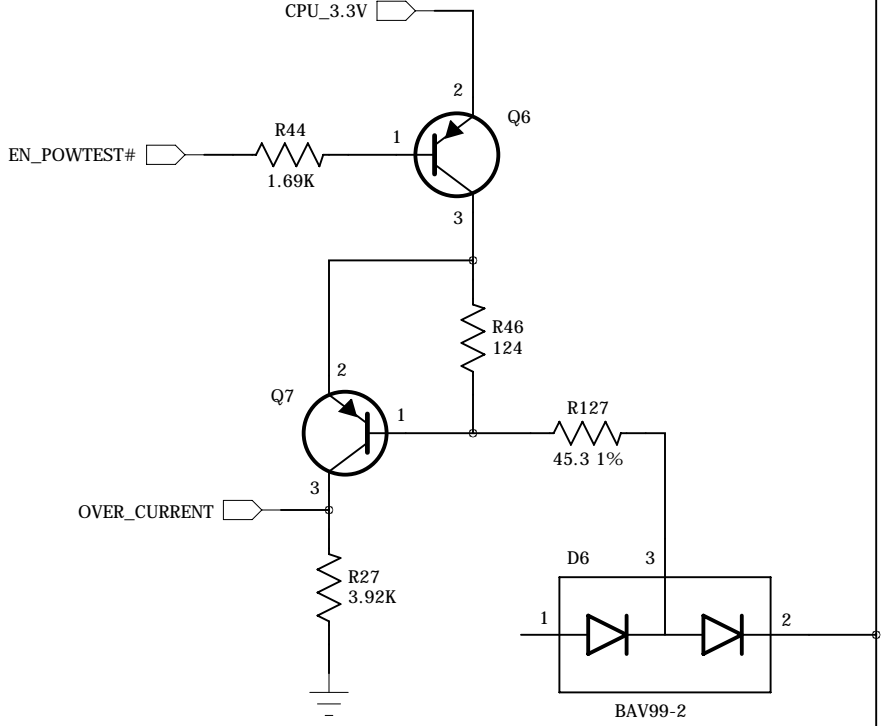
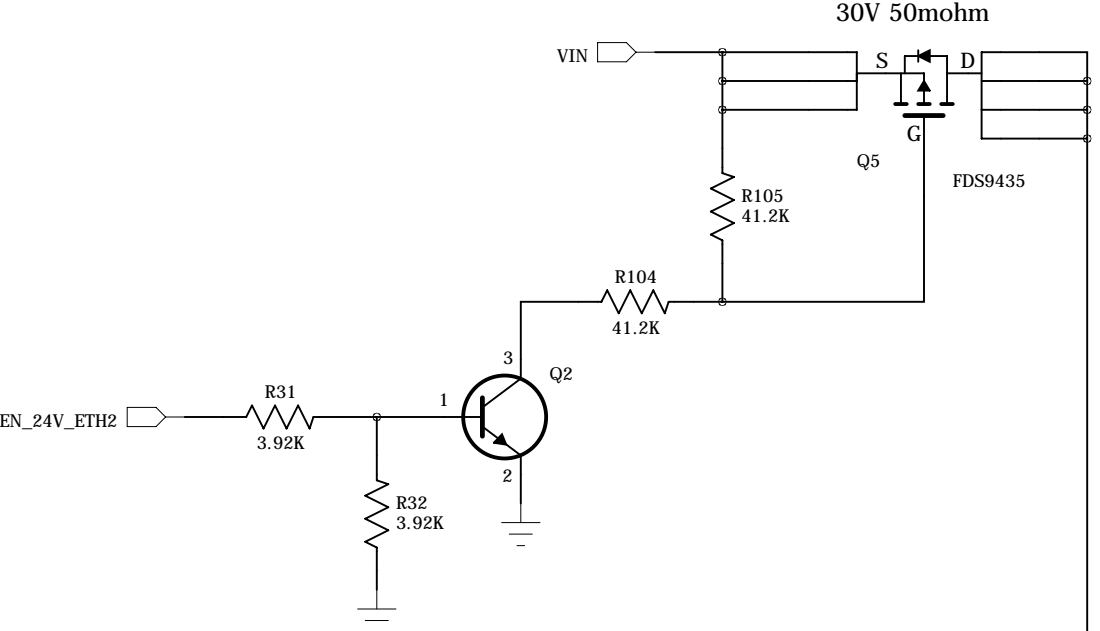
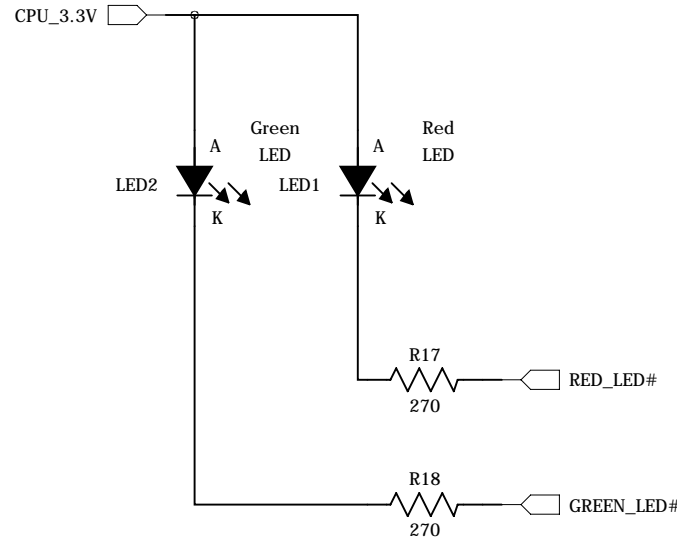


Second Ethernet Port

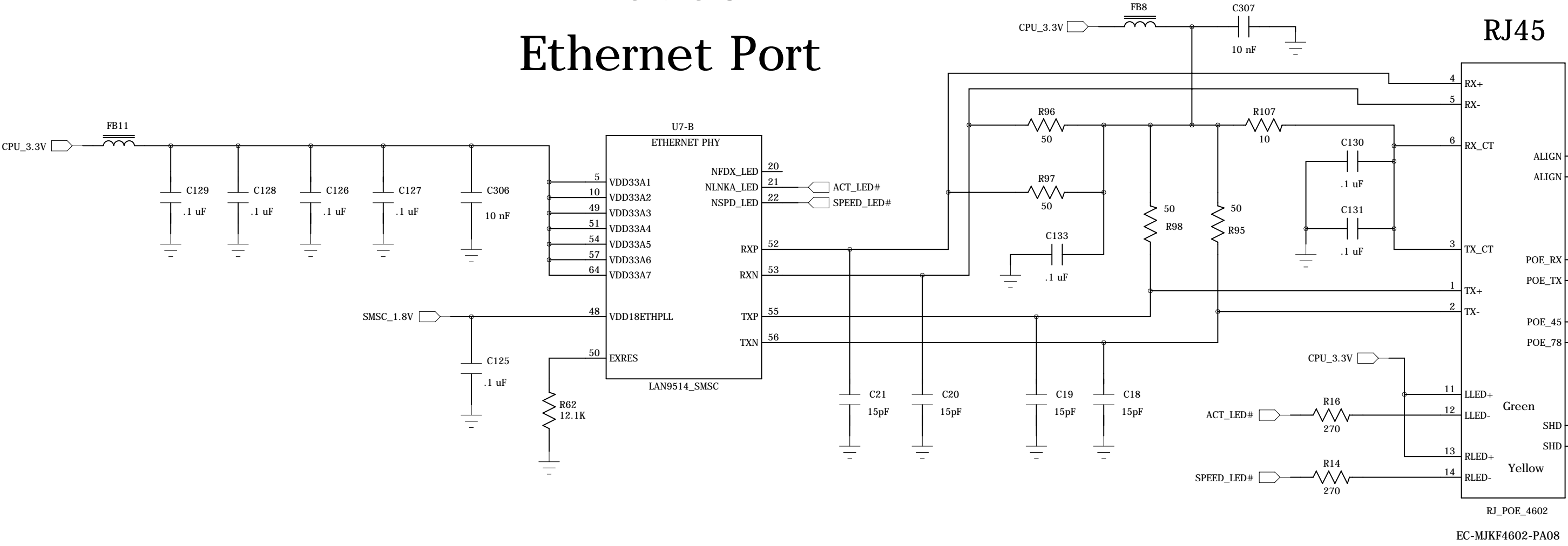
RTC Battery



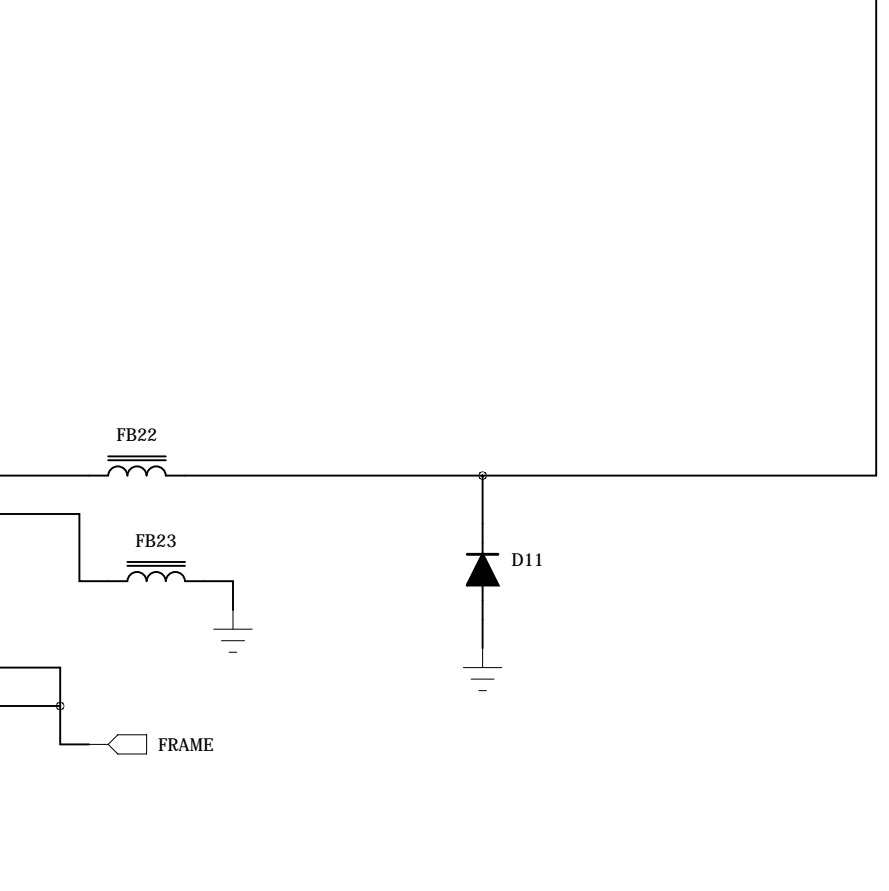
LEDs



SMSC Ethernet Port

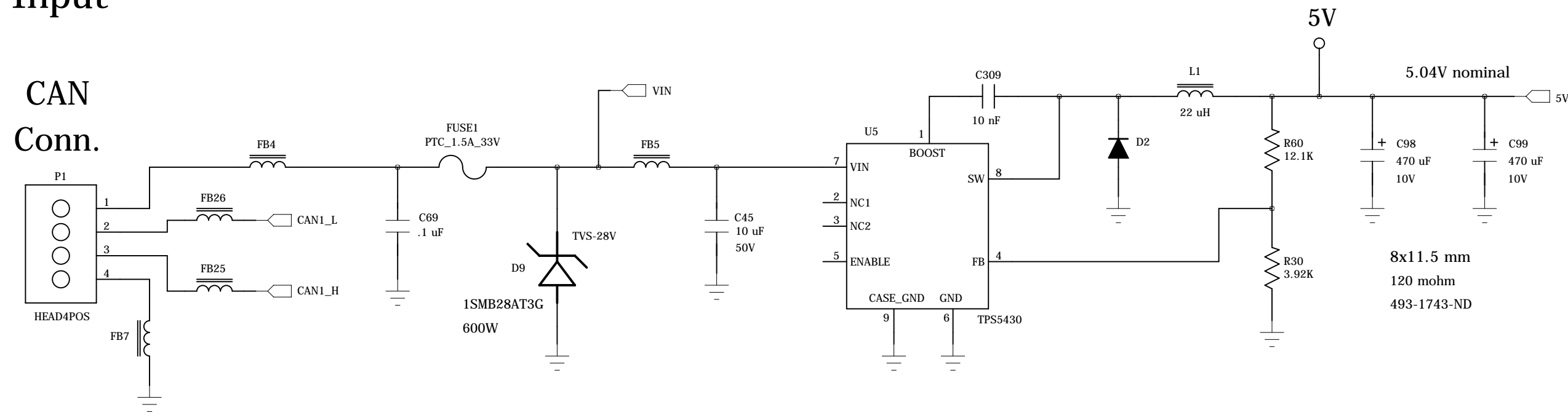


POE RJ45

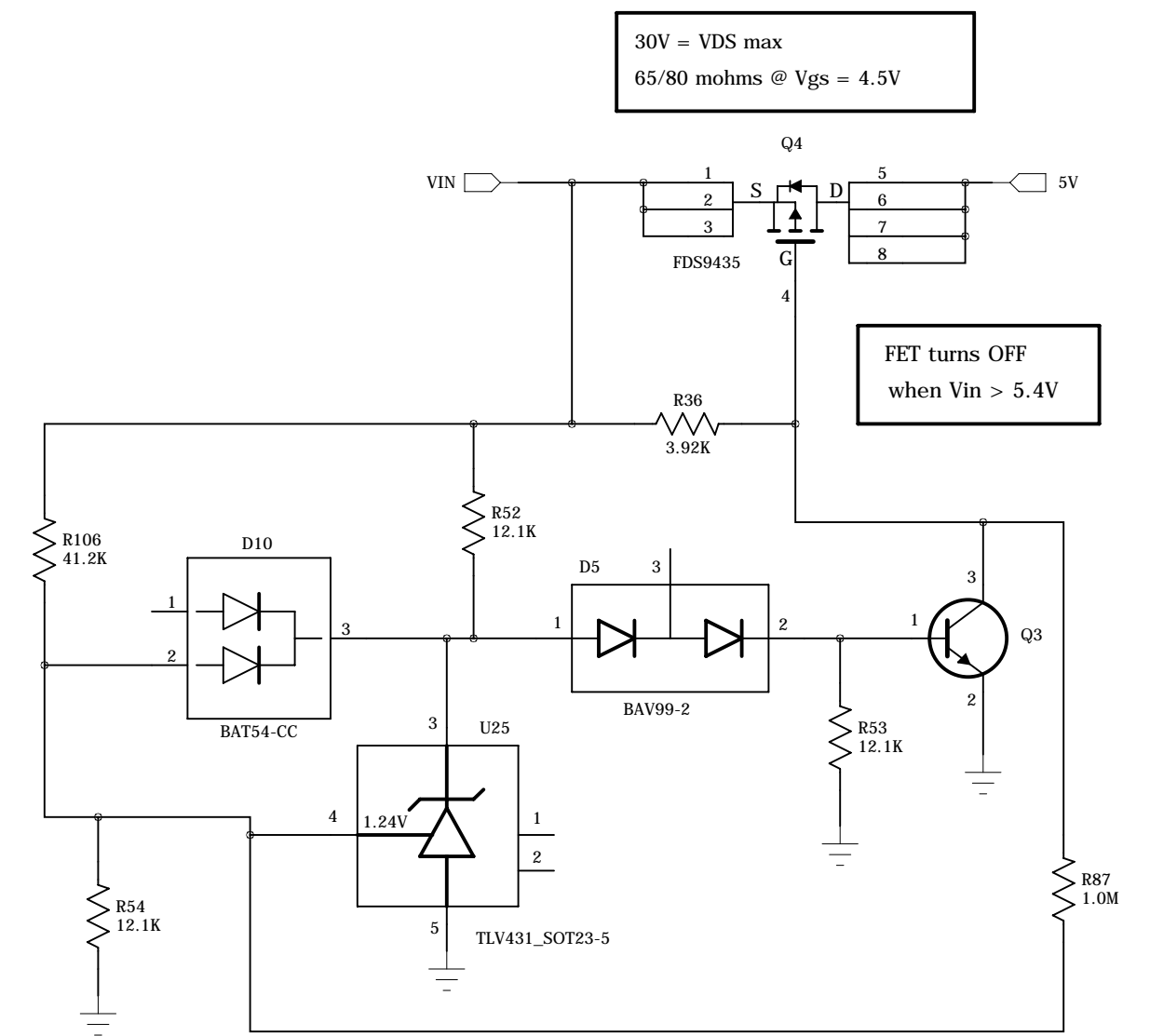


5V to 28V
Input

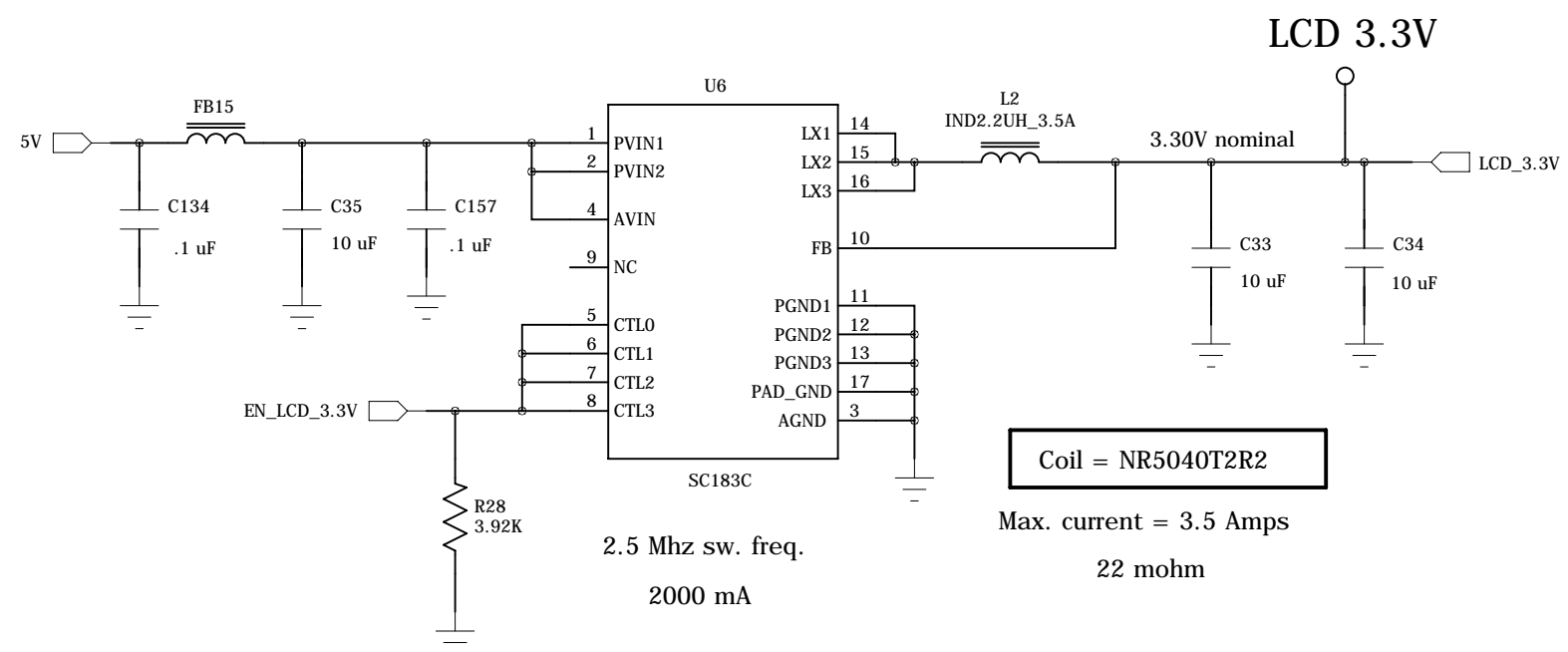
5V Power Supply (3.0 Amps)



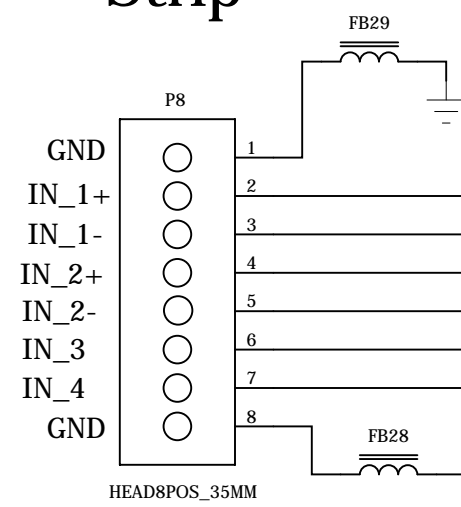
5V Regulator Bypass



3.3V Power Supply for LCD and for radios

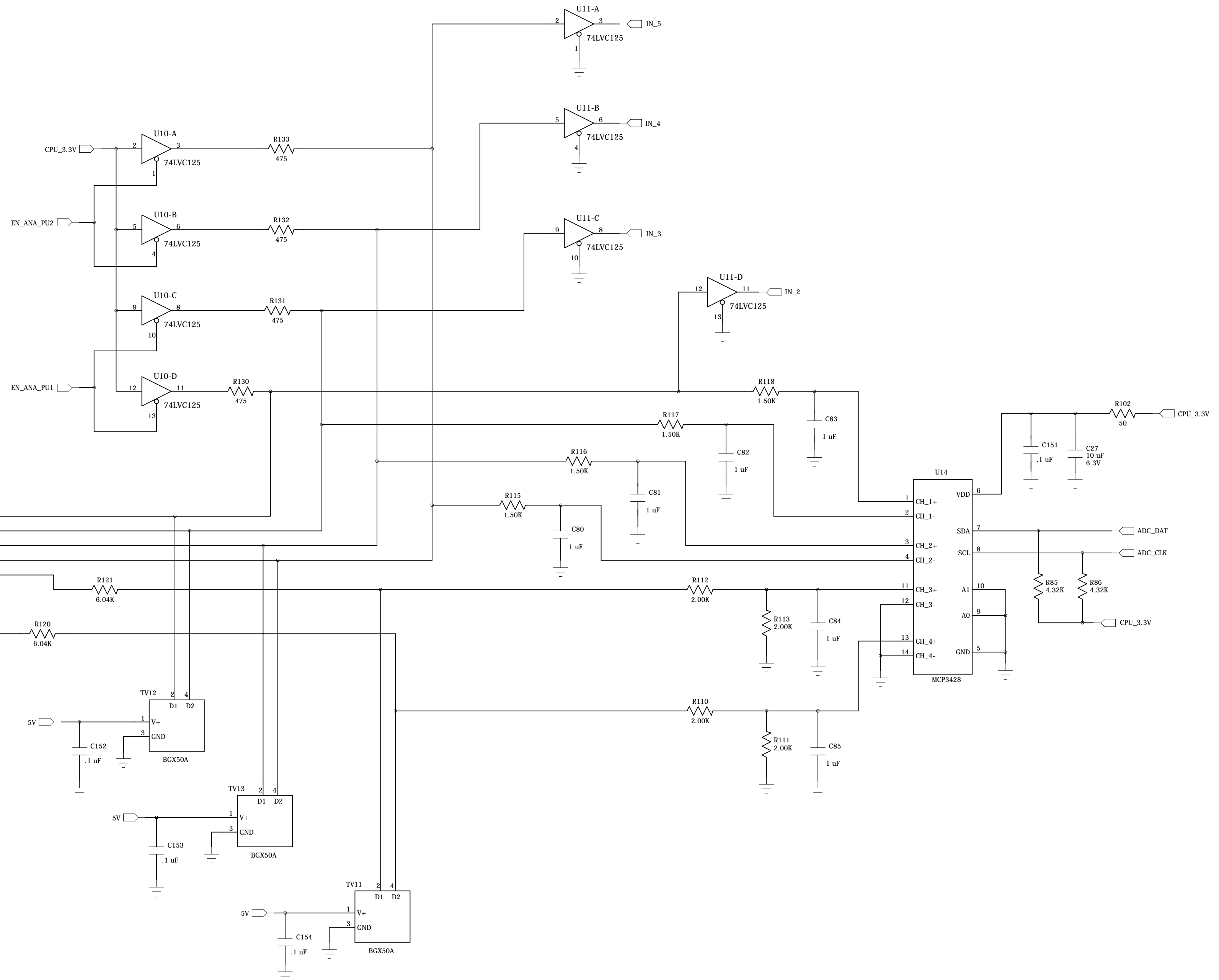


8 Position Terminal Strip

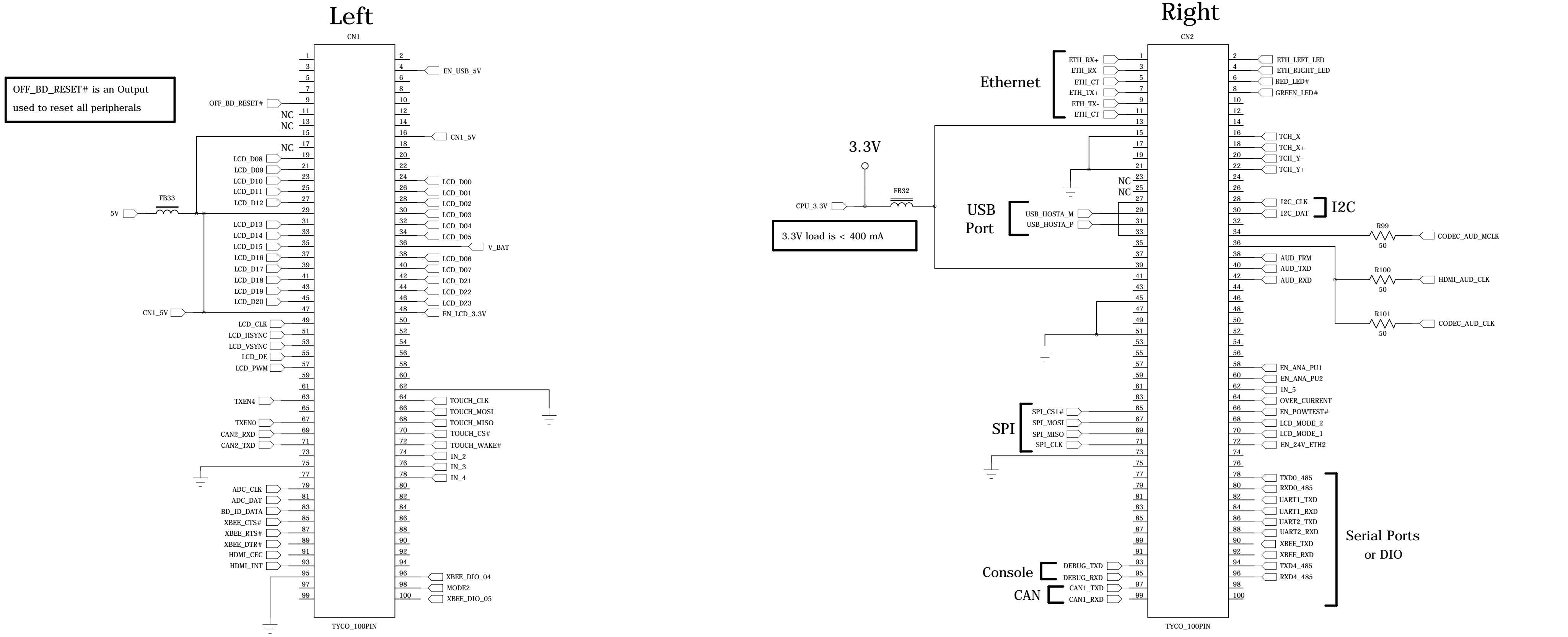


OSTOQ081251 = 58 cents
8-pos. R/A board mt.

Mate = OSTIJ0811530
8-pos. = \$1.72



Two 100-pin Module Connectors



OFF_BD_RESET# is an Output used to reset all peripherals

3.3V load is < 400 mA

Boot Strap

Mode 2	SBC Boots from
1	NAND Flash
0	SD Card

MODE1 and MODE2 states are latched prior to OFF_BD_RESET# deasserted

MODE1 and MODE2 have PU resistors on the SBC module

Use 1.5K ohm resistor to OFF_BD_RESET# to strap logic low