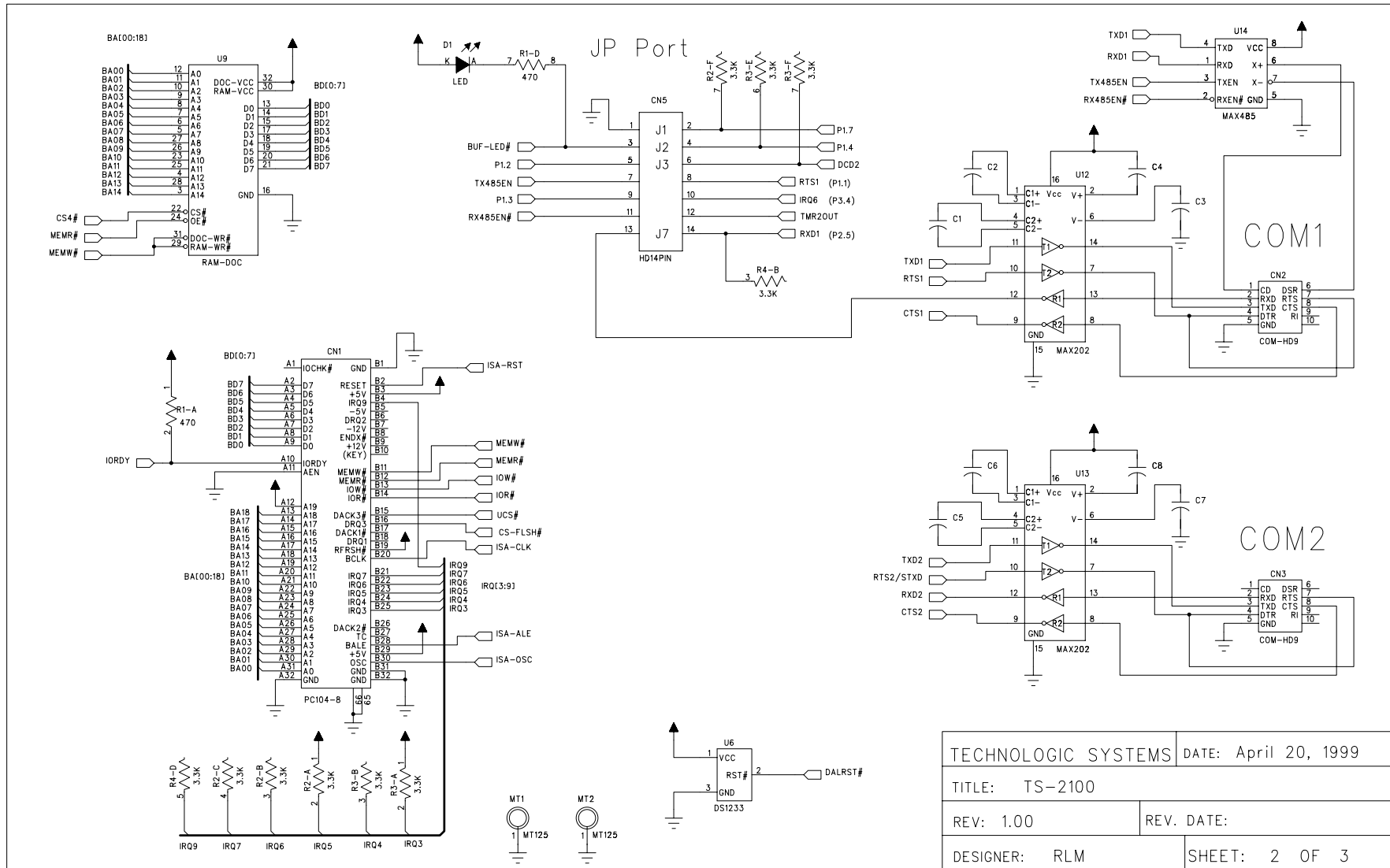
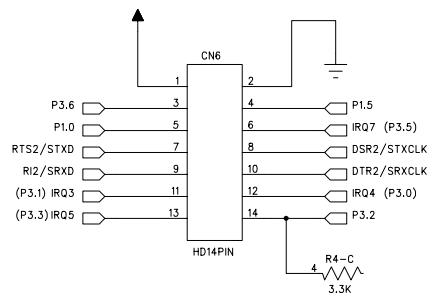
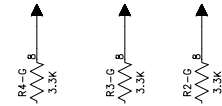
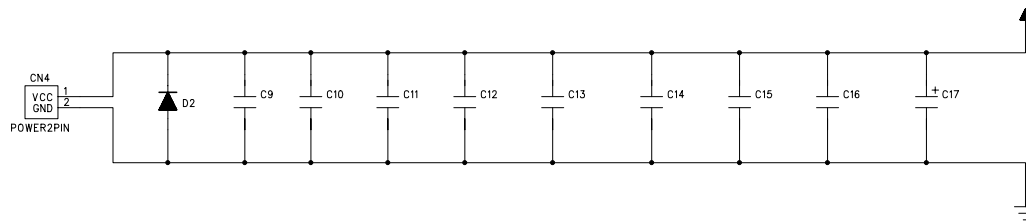


TECHNOLOGIC SYSTEMS		DATE: April 20, 1999	
TITLE: TS-2100			
REV: 1.00		REV. DATE:	
DESIGNER: RLM		SHEET: 1 OF 3	



TECHNOLOGIC SYSTEMS	DATE: April 20, 1999
TITLE: TS-2100	
REV: 1.00	REV. DATE:
DESIGNER: RLM	SHEET: 2 OF 3



DIO Port  
and Synchronous Serial Port

TECHNOLOGIC SYSTEMS	DATE: April 20, 1999
TITLE: TS-2100	
REV: 1.00	REV. DATE:
DESIGNER: RLM	SHEET: 3 OF 3