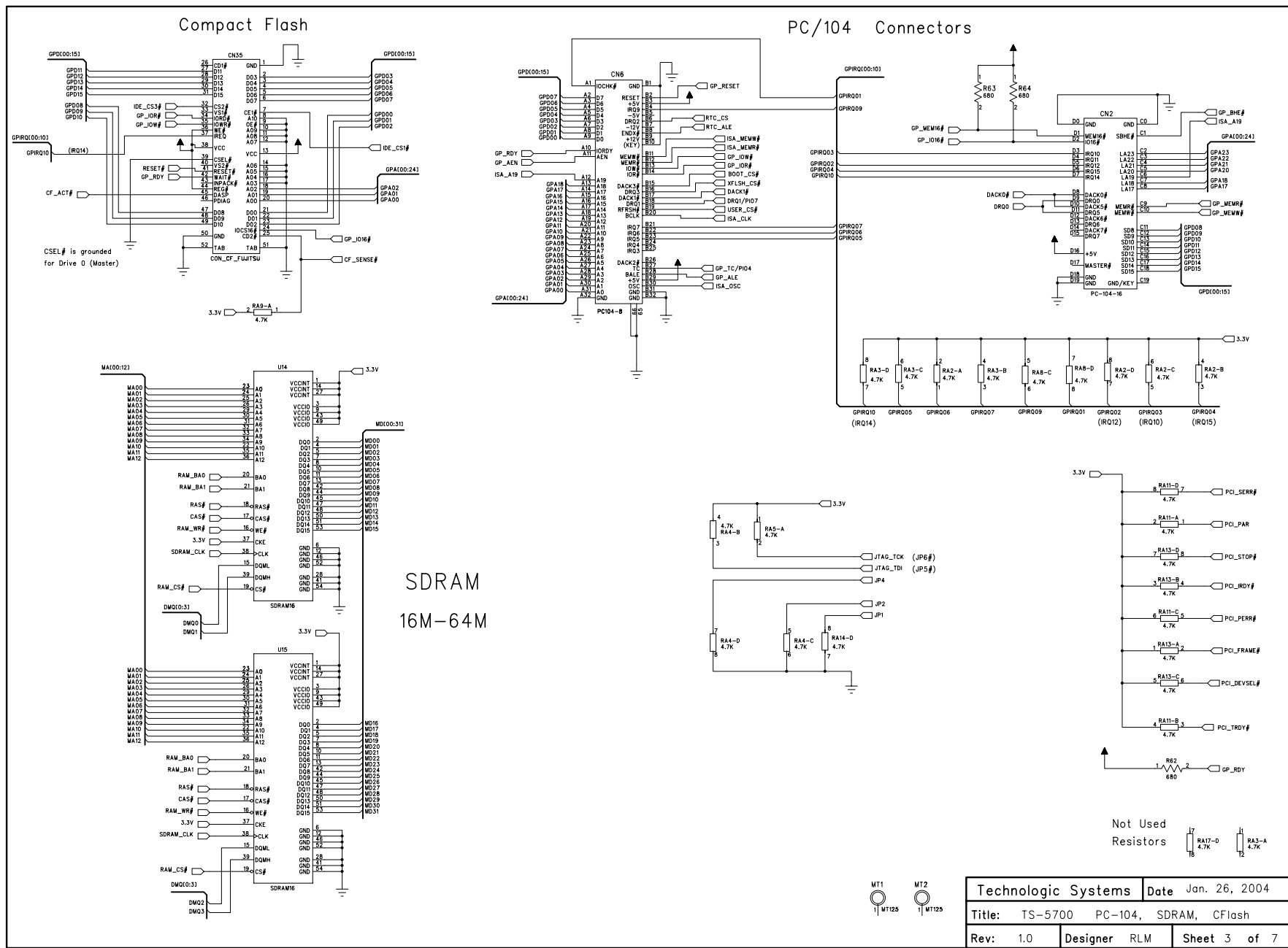
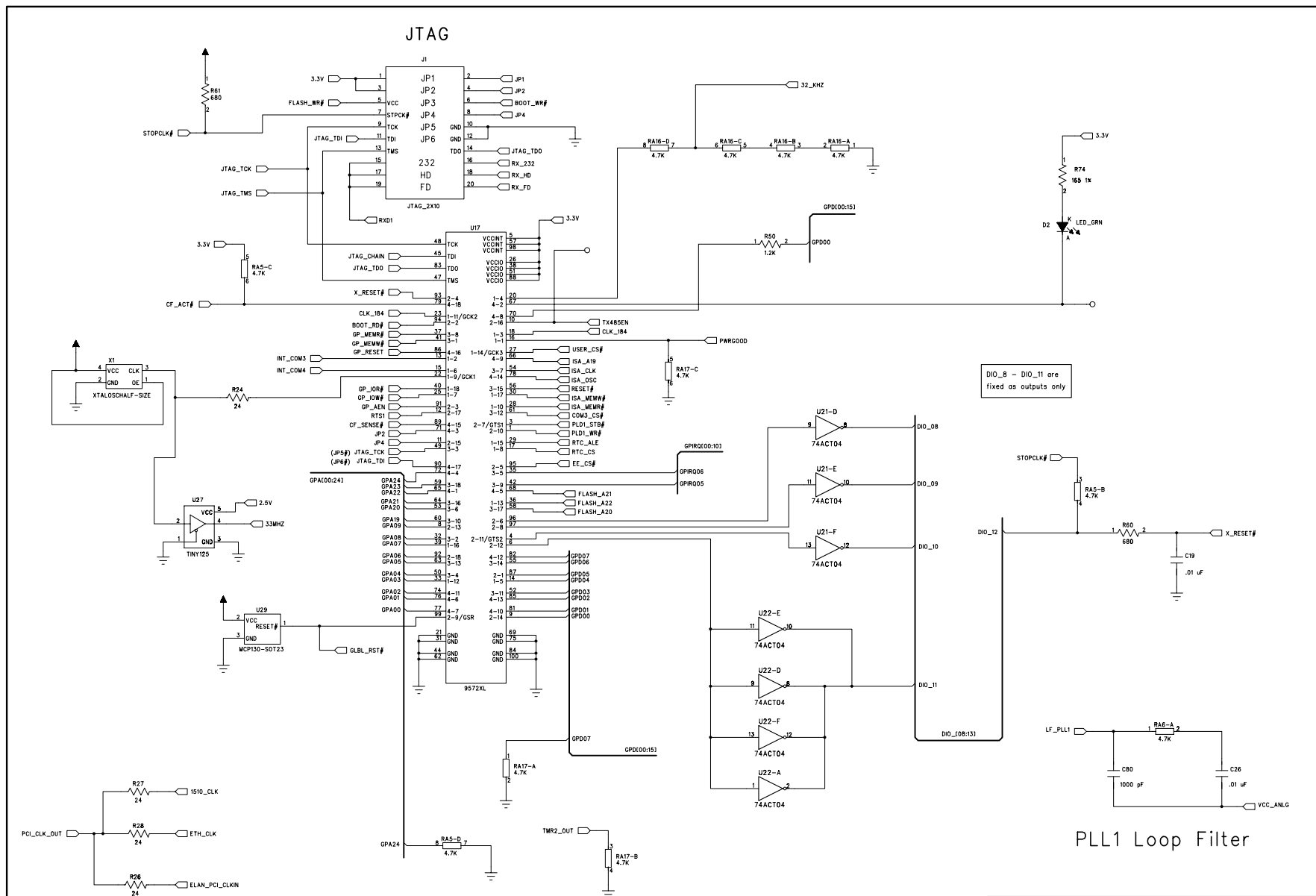


Technologic Systems	Date Jan. 26, 2004
Title: TS-5700 Power, Flash	
Rev: 1.0	Designer RLM Sheet 2 of 7

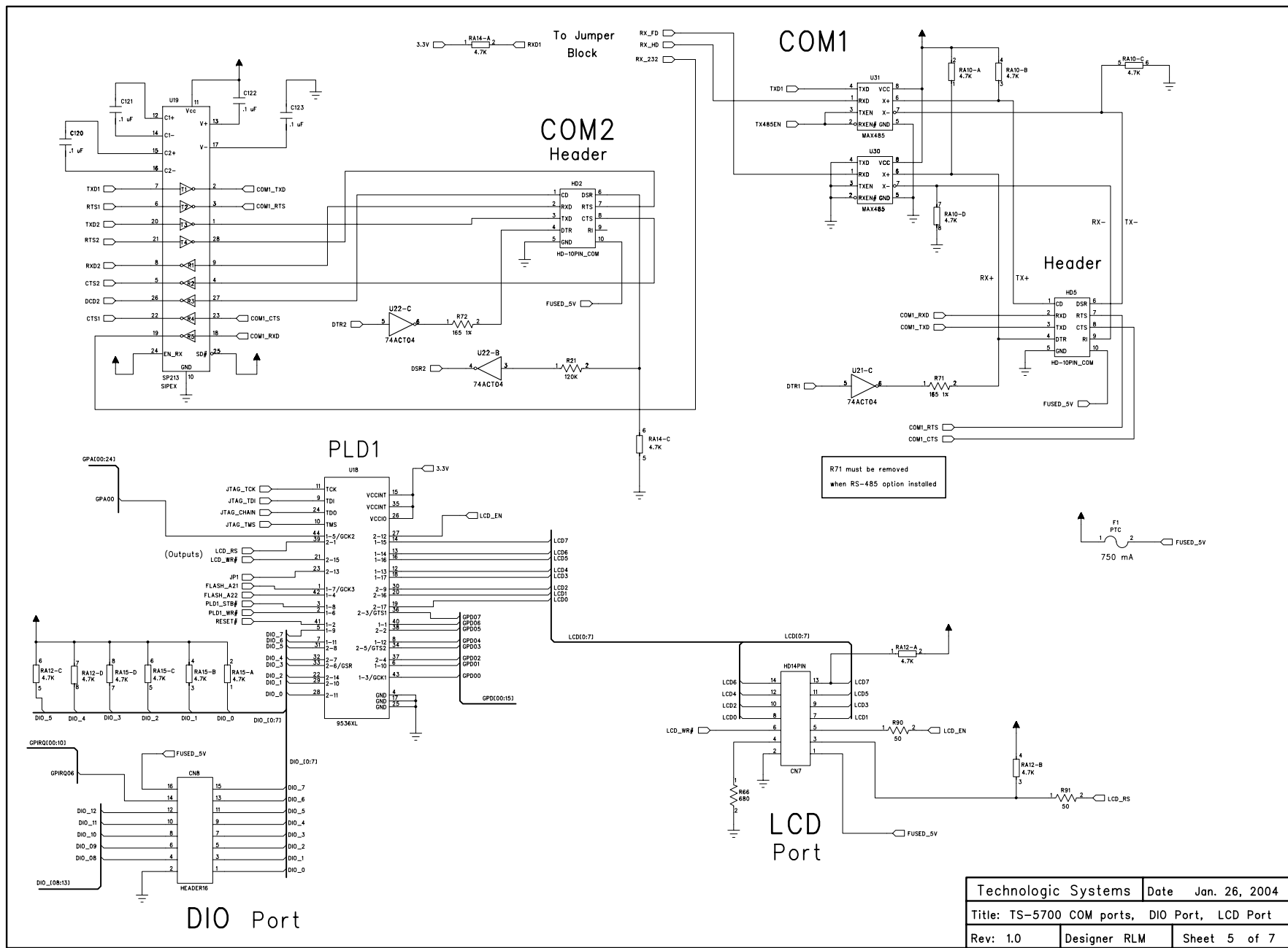




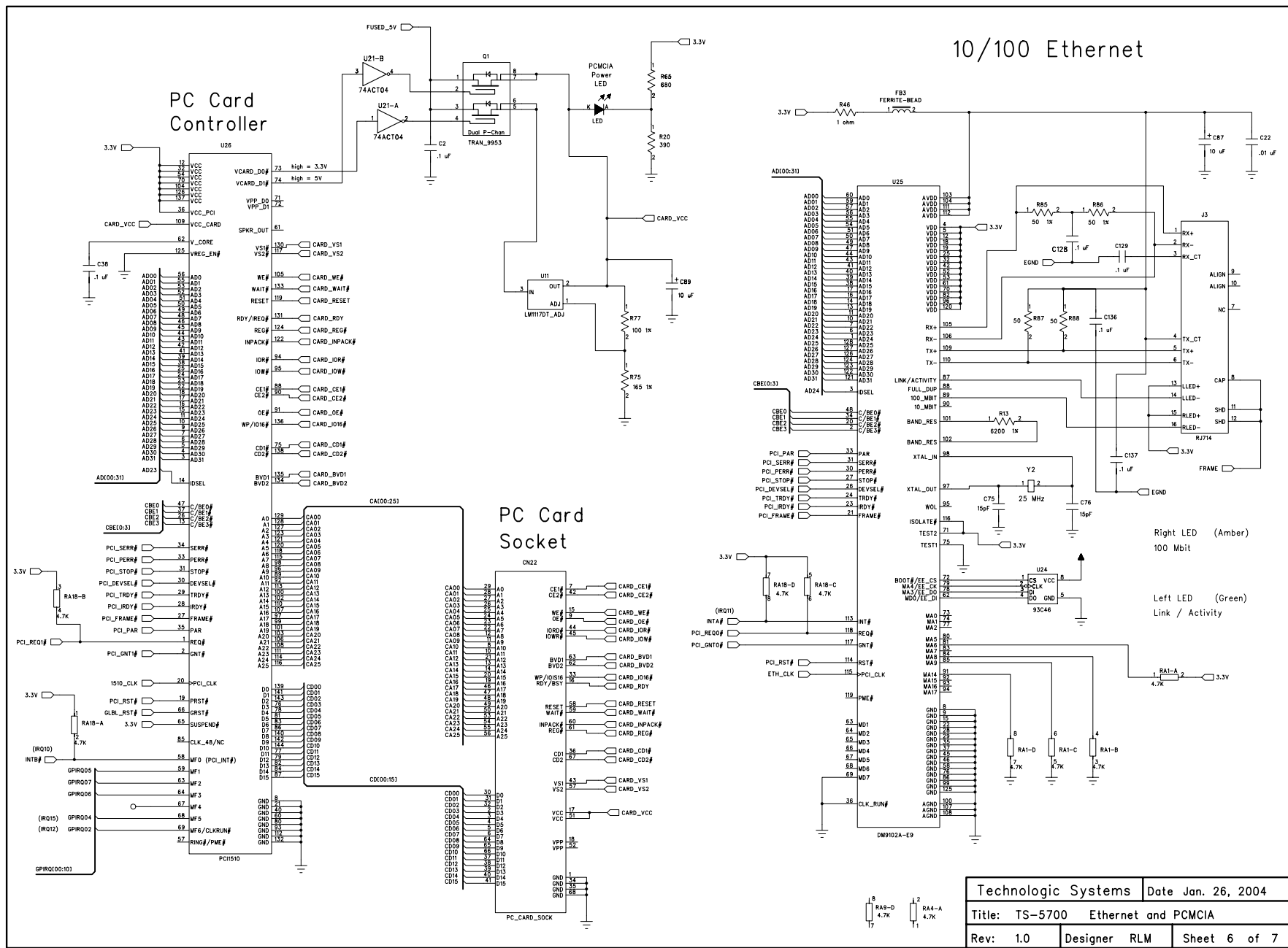
PCI Clock Buffer

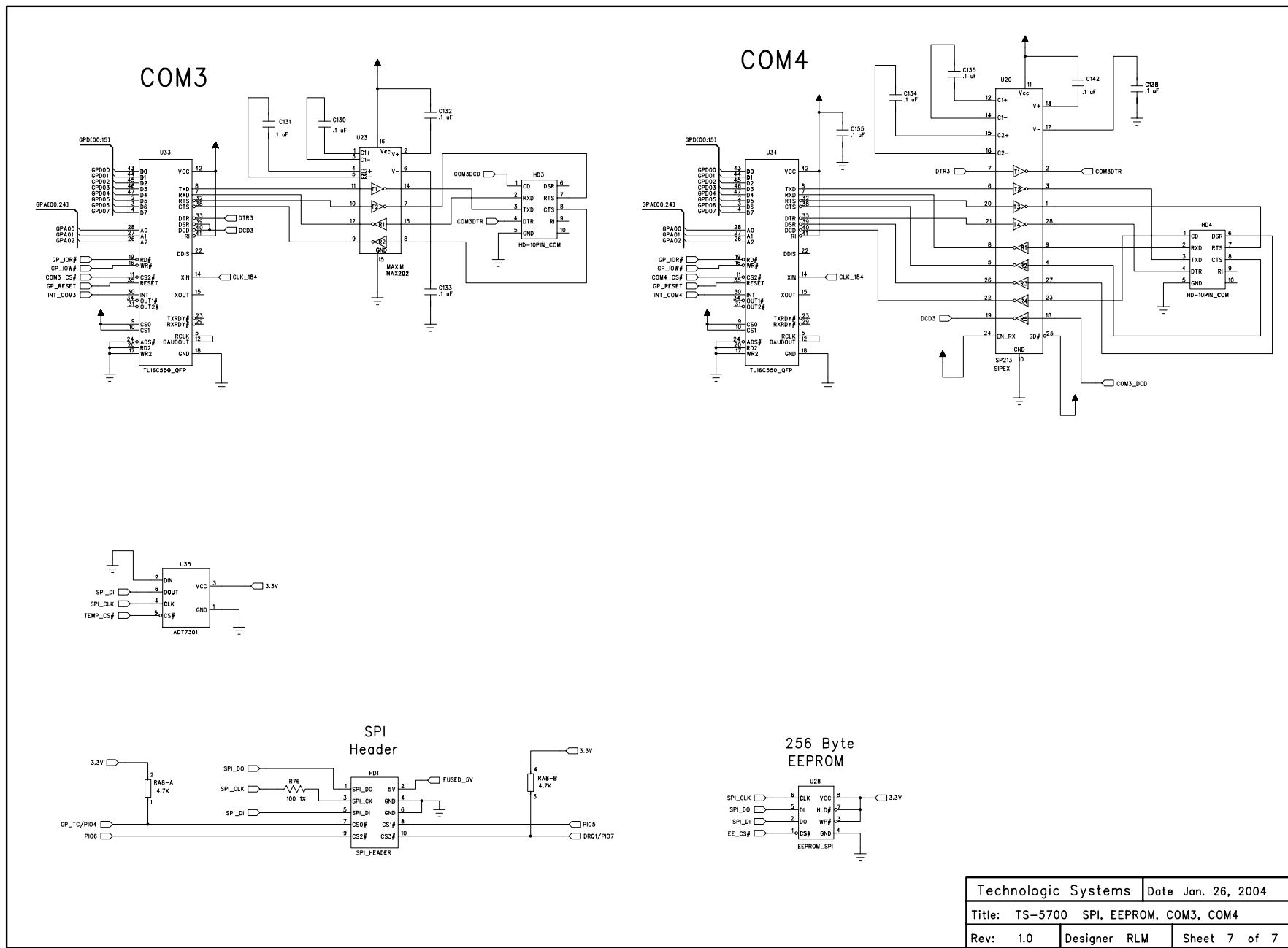
PLL1 Loop Filter

Technologic Systems	Date Jan. 26, 2004
Title: TS-5600	Main PLD
Rev: 1.0	Designer RLM Sheet 4 of 7



Technologic Systems	Date	Jan. 26, 2004
Title: TS-5700 COM ports, DIO Port, LCD Port		
Rev: 1.0	Designer	RLM
		Sheet 5 of 7





Technologic Systems	Date Jan. 26, 2004
Title: TS-5700 SPI, EEPROM, COM3, COM4	
Rev: 1.0	Designer RLM Sheet 7 of 7