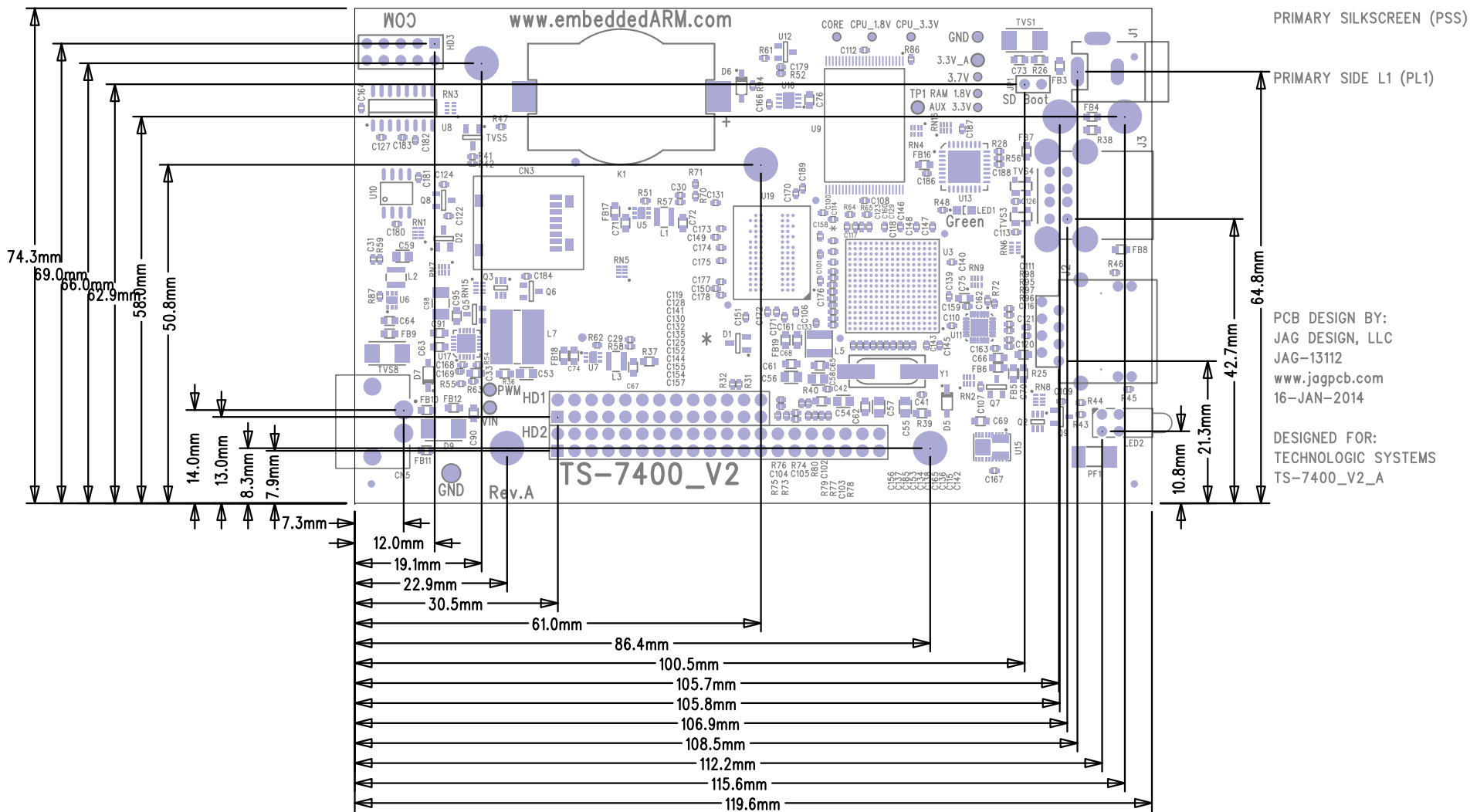


MECHANICAL DRAWING (MEC)



PRIMARY SILKSCREEN (PSS)

PRIMARY SIDE L1 (PL1)

PCB DESIGN BY:
JAG DESIGN, LLC
JAG-13112
www.jagpcb.com
16-JAN-2014

DESIGNED FOR:
TECHNOLOGIC SYSTEMS
TS-7400_V2_A