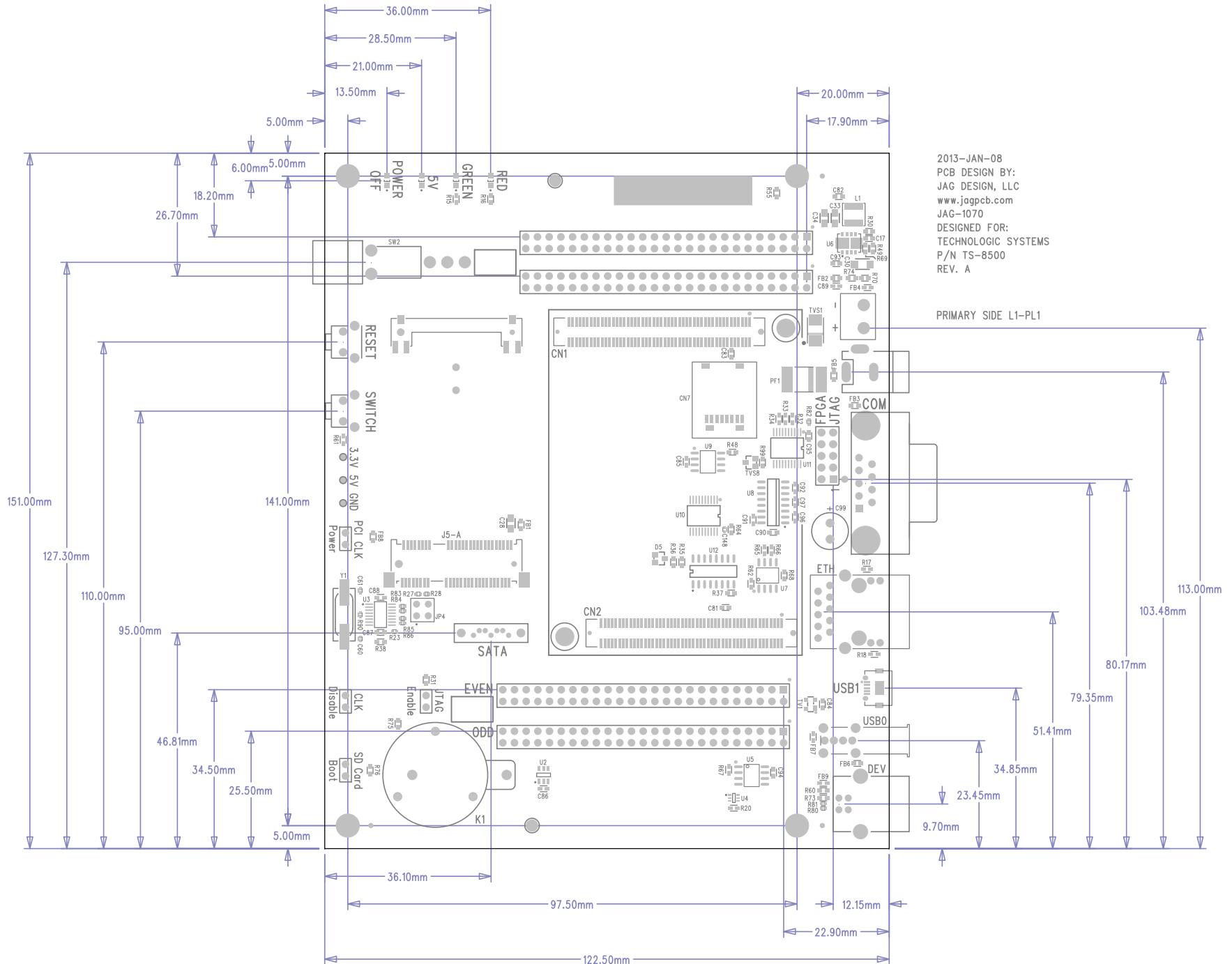


# MECHANICAL DRAWING-MEC



2013-JAN-08  
 PCB DESIGN BY:  
 JAG DESIGN, LLC  
 www.jagpcb.com  
 JAG-1070  
 DESIGNED FOR:  
 TECHNOLOGIC SYSTEMS  
 P/N TS-8500  
 REV. A

PRIMARY SIDE L1-PL1