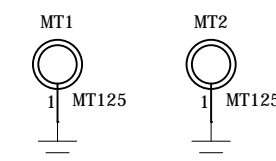
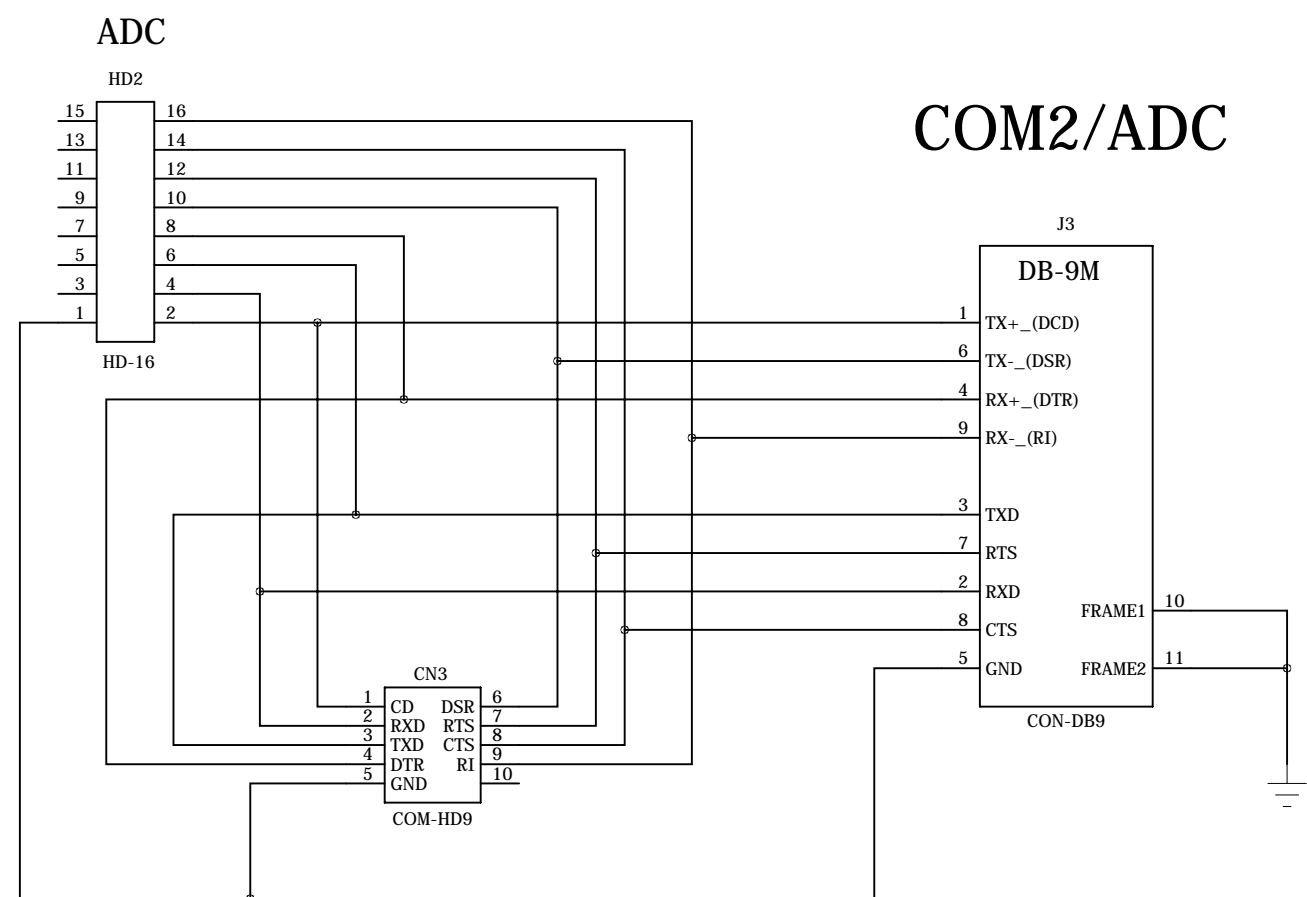
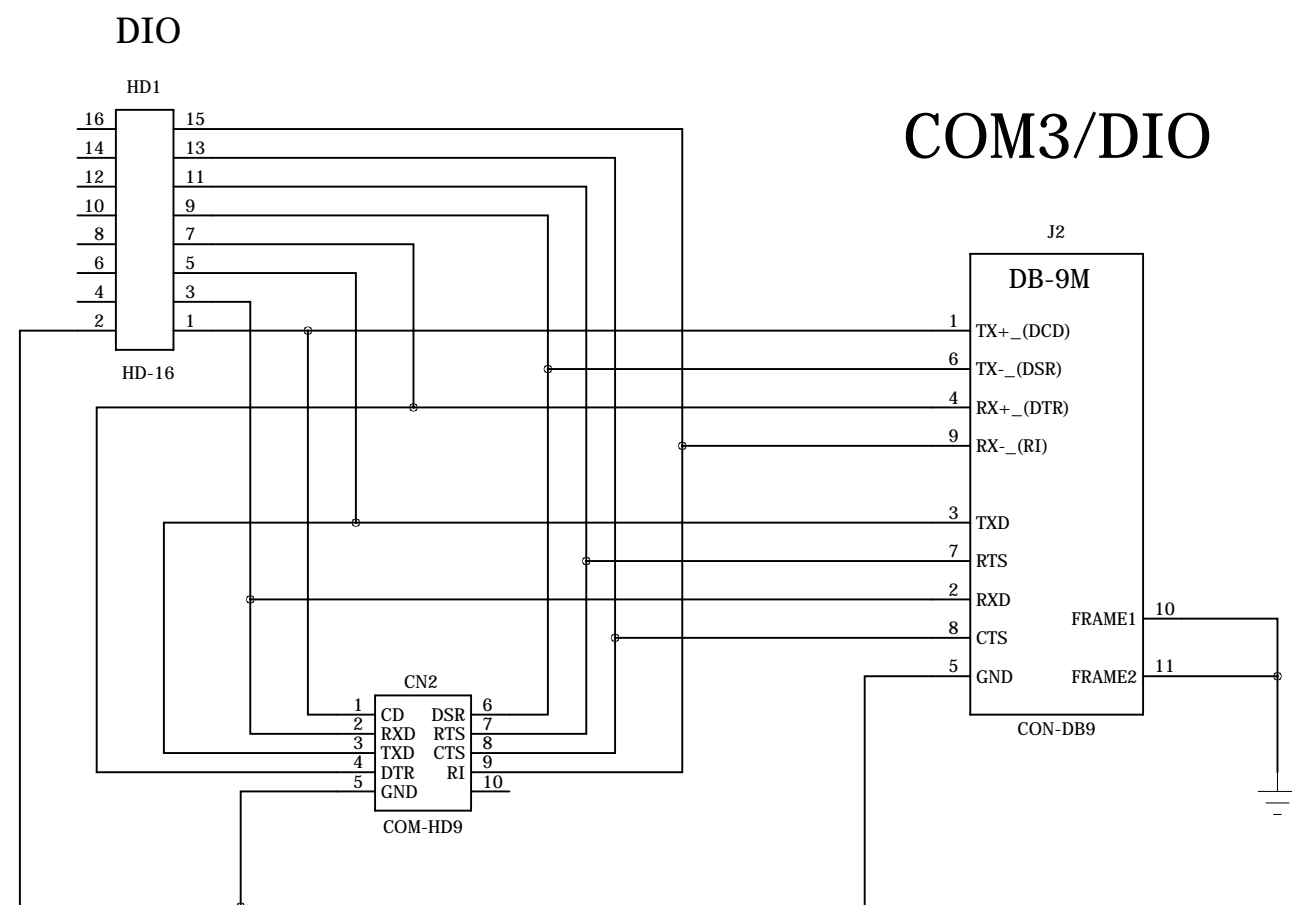
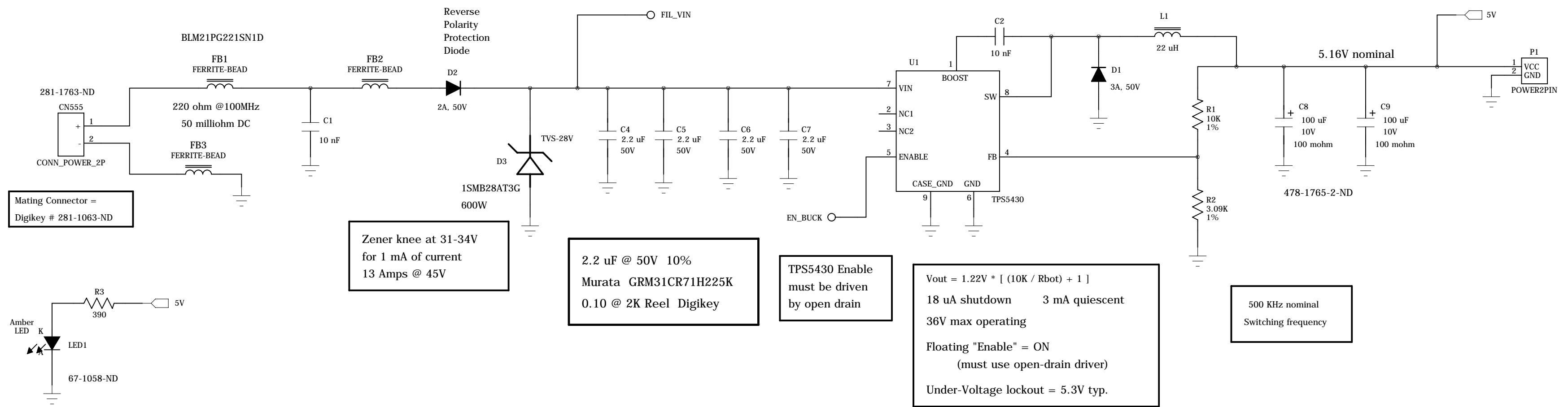


5V Power Supply (2.5 Amps)

8V-30V
Power In



Technologic Systems		Date June 10, 2007
Title: TS-782 8V - 30V Input; 5V output		
Rev:	Designer RLM	Sheet 1 of 1