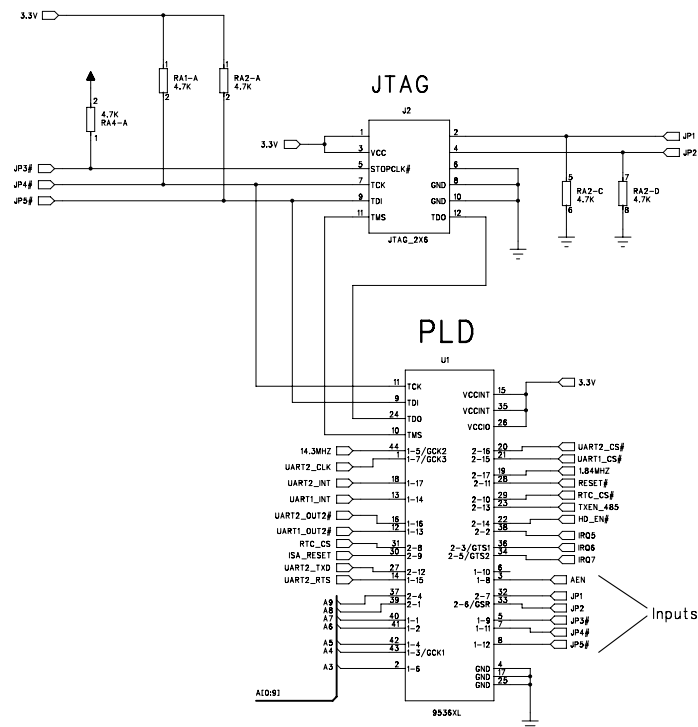
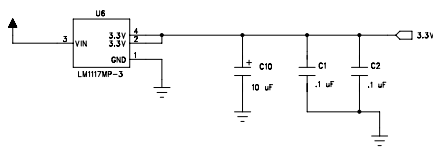
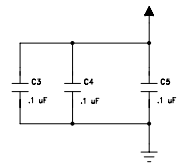
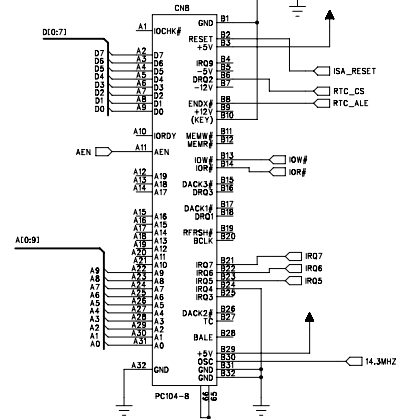
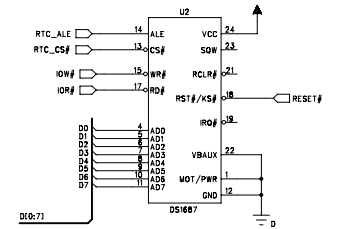


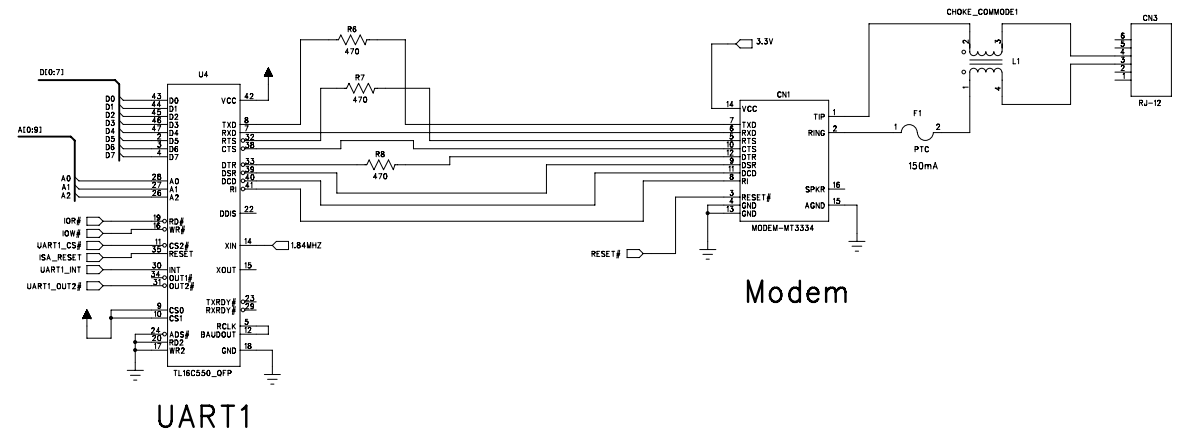
PC/104 Connector



COM1 = 3F8
COM2 = 2F8
COM3 = 3E8
COM4 = 2E8
COM5 = 3A8
COM6 = 2A8
COM7 = 380
COM8 = 388

Real-Time Clock





Technologic Systems	Date May 20, 2005
Title: TS-Modem2	
Rev: 1.0	Designer RLM Sheet 2 of 2