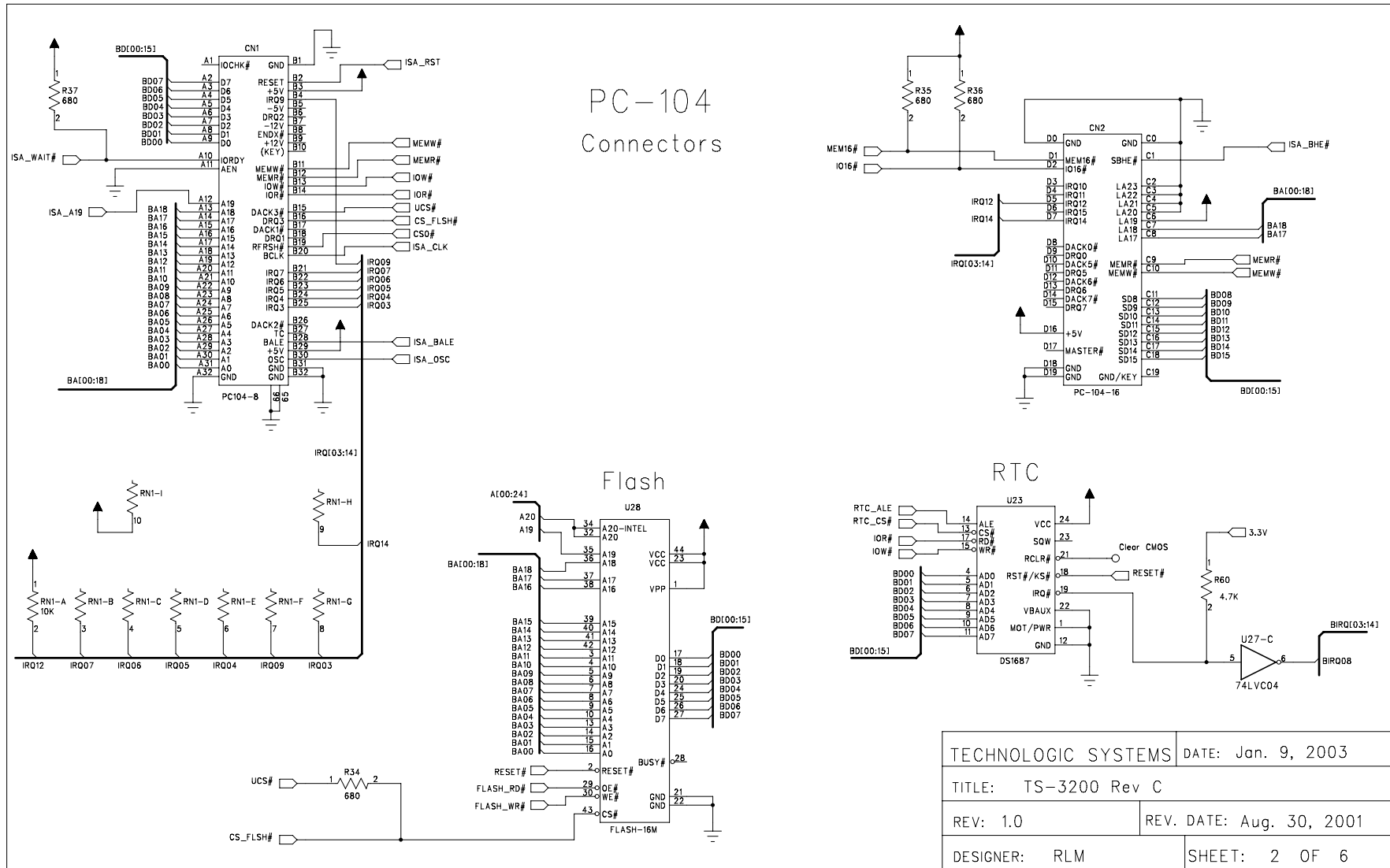


TECHNOLOGIC SYSTEMS		DATE: Jan. 9, 2003
TITLE: TS-3200 Rev C		
REV: 1.0	REV. DATE: Aug. 30, 2001	
DESIGNER: RLM	SHEET: 1 OF 6	

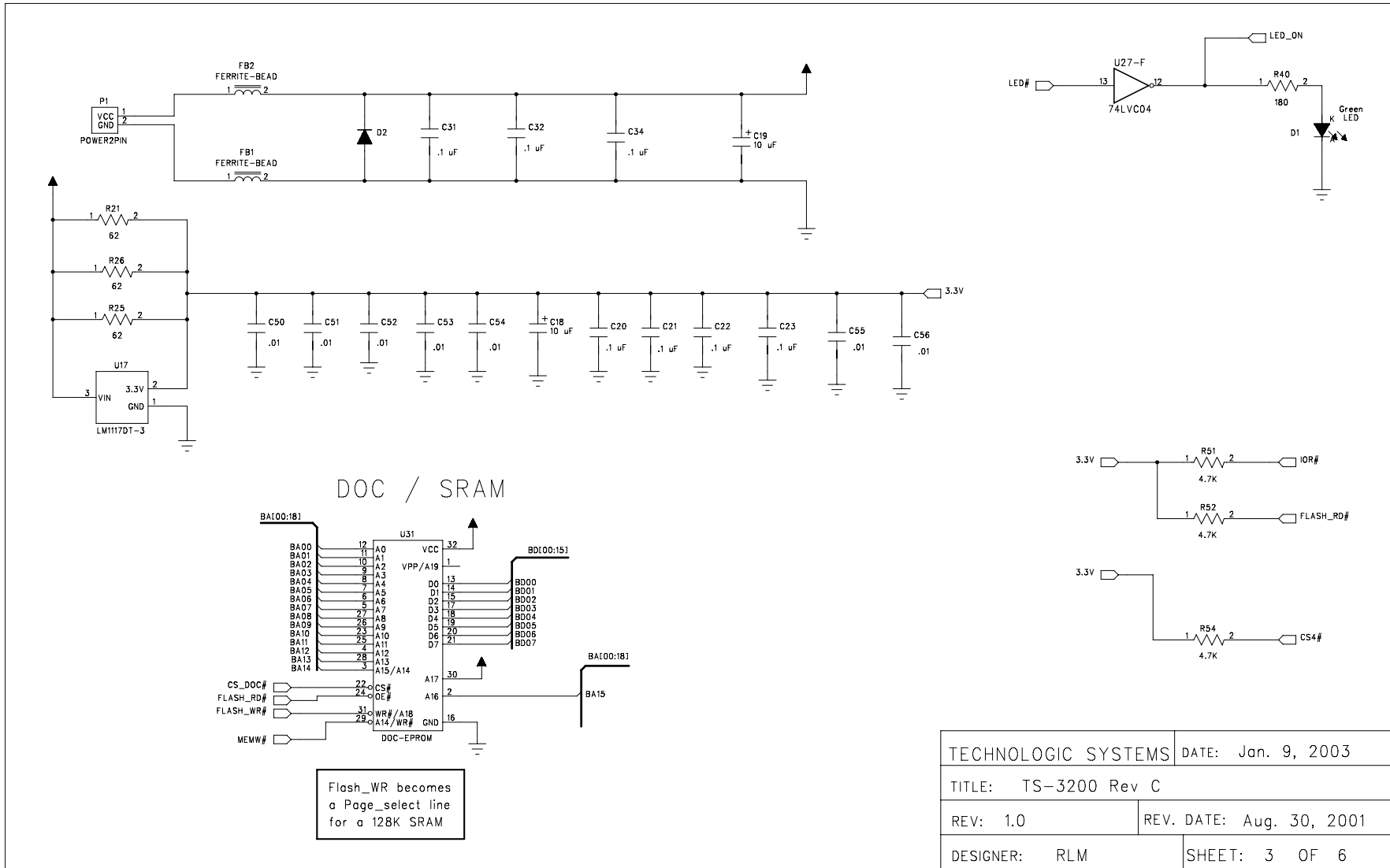


PC-104 Connectors

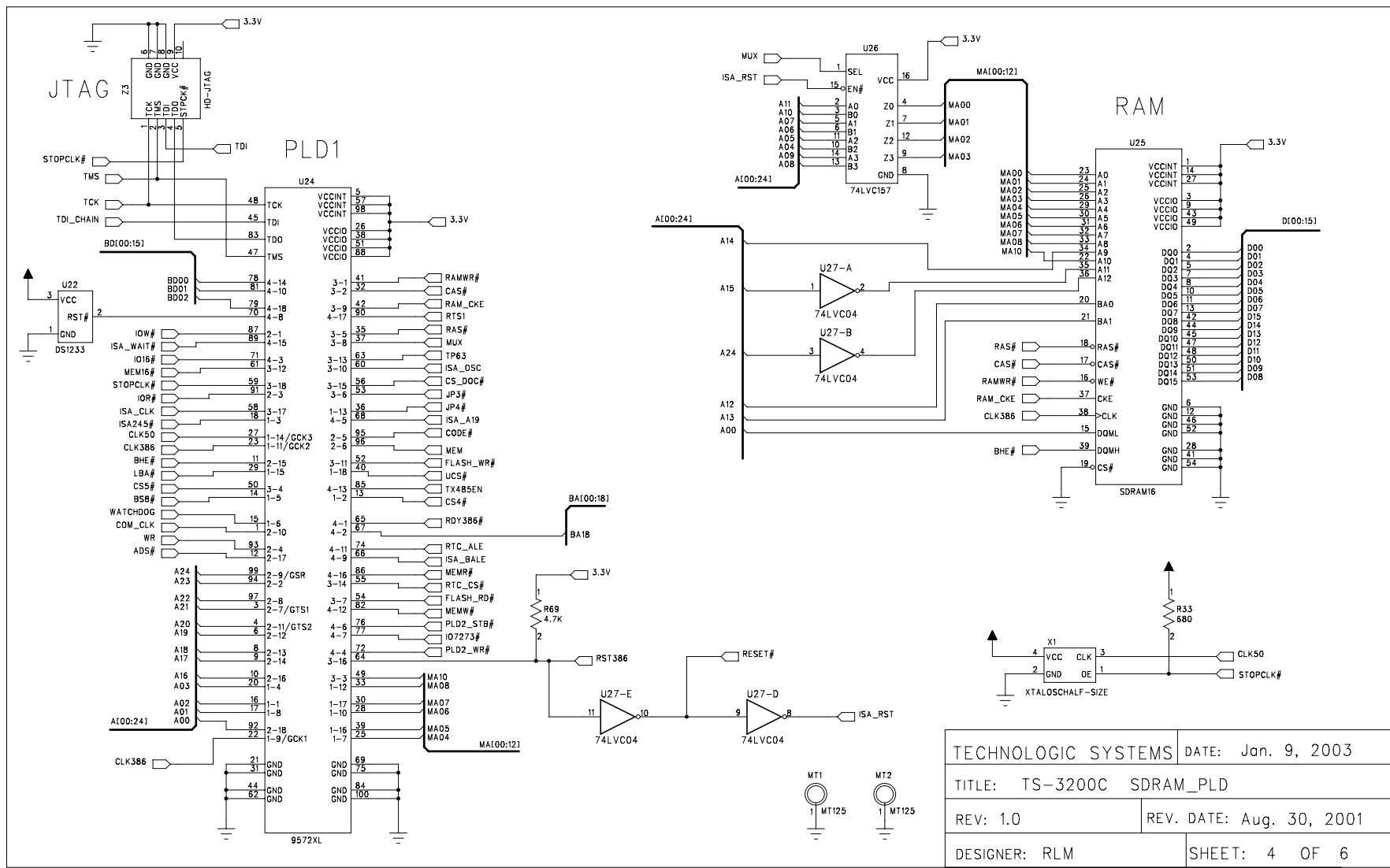
Flash

RTC

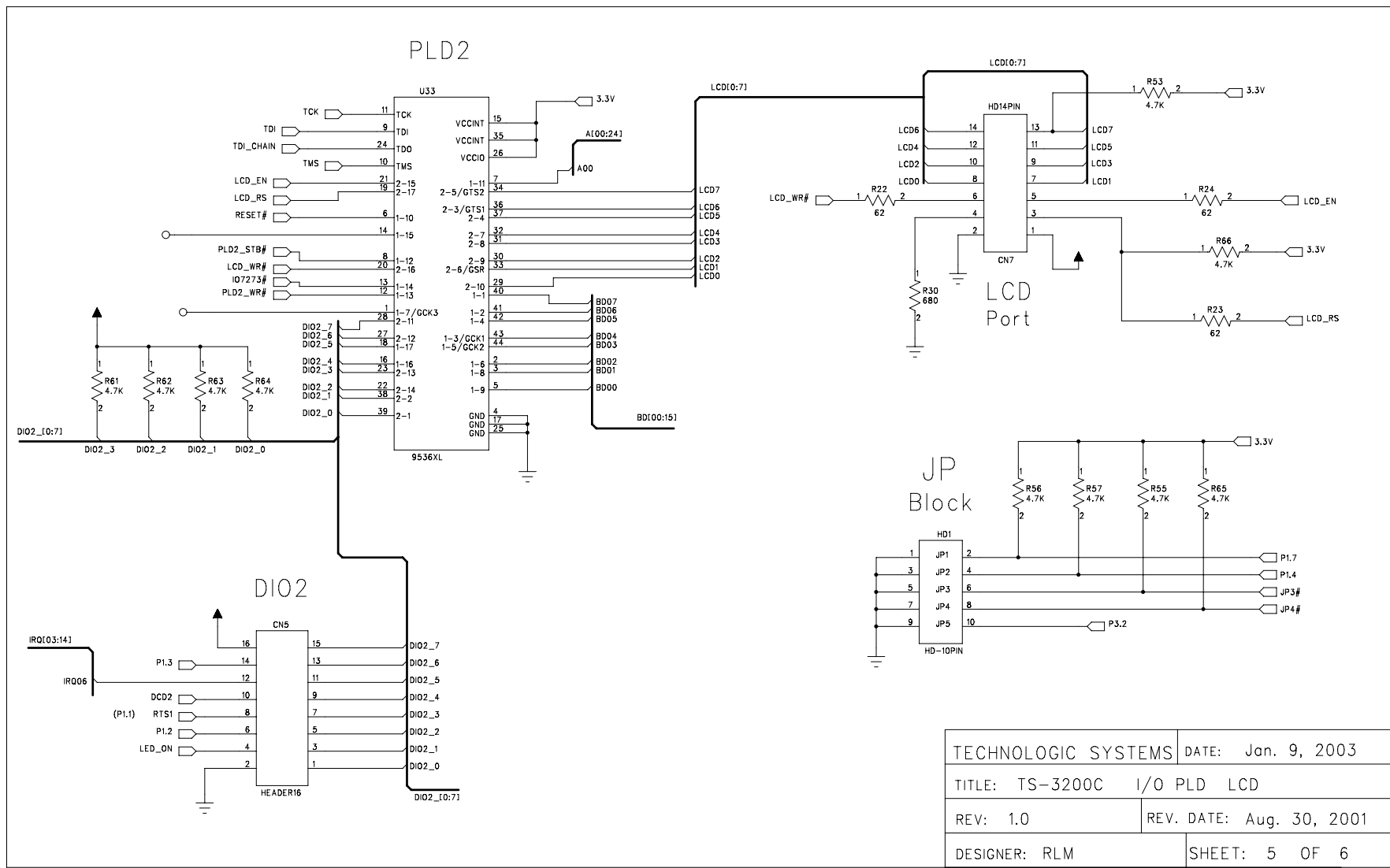
TECHNOLOGIC SYSTEMS	DATE: Jan. 9, 2003
TITLE: TS-3200 Rev C	
REV: 1.0	REV. DATE: Aug. 30, 2001
DESIGNER: RLM	SHEET: 2 OF 6



TECHNOLOGIC SYSTEMS		DATE: Jan. 9, 2003	
TITLE: TS-3200 Rev C			
REV: 1.0		REV. DATE: Aug. 30, 2001	
DESIGNER: RLM		SHEET: 3 OF 6	

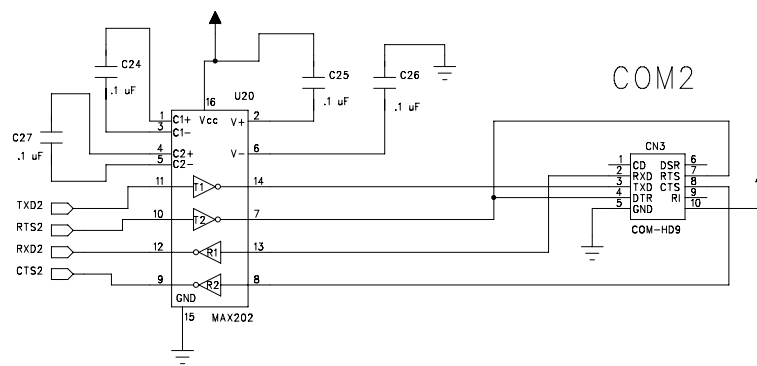
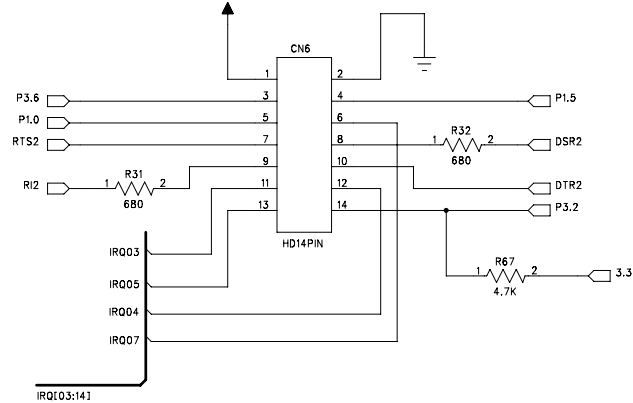


TECHNOLOGIC SYSTEMS		DATE: Jan. 9, 2003	
TITLE: TS-3200C SDRAM_PLD			
REV: 1.0		REV. DATE: Aug. 30, 2001	
DESIGNER: RLM		SHEET: 4 OF 6	

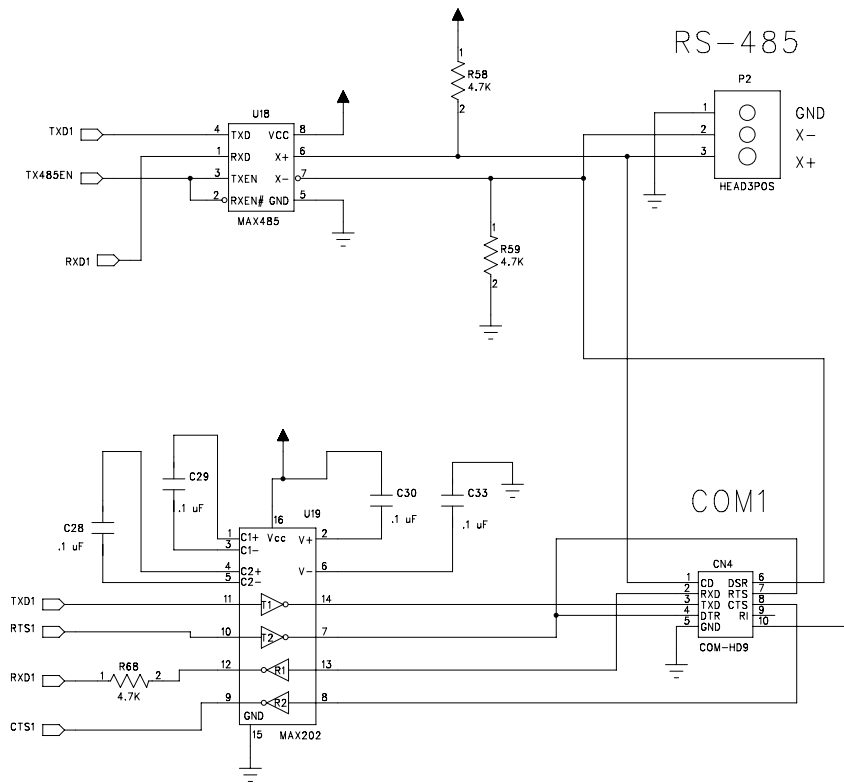


TECHNOLOGIC SYSTEMS		DATE: Jan. 9, 2003
TITLE: TS-3200C I/O PLD LCD		
REV: 1.0	REV. DATE: Aug. 30, 2001	
DESIGNER: RLM	SHEET: 5 OF 6	

DI01 Port



RS-485



TECHNOLOGIC SYSTEMS	DATE: Jan. 9, 2003
TITLE: TS-3200C RS-232/485	
REV: 1.0	REV. DATE: Aug. 30, 2001
DESIGNER: RLM	SHEET: 6 OF 6