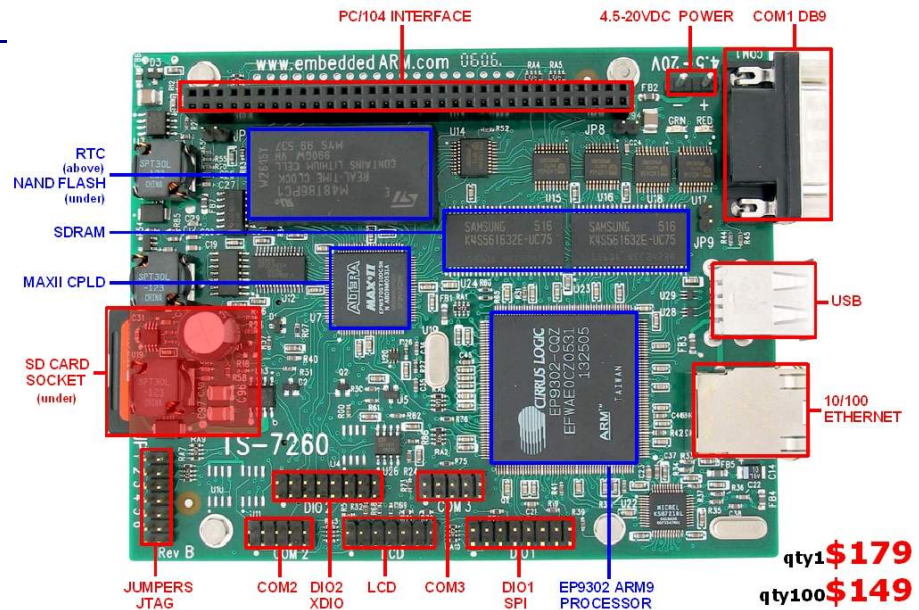


## OVERVIEW

The TS-7260 is a compact full-featured Single Board Computer (SBC) based upon the Cirrus EP9302 ARM9 CPU, which provides a standard set of on-board peripherals. The EP9302 features an advanced ARM920T 200 MHz processor design with MMU.

TS-7260 includes software **power consumption control** for on-board peripherals, making this board ideal for use in power sensitive designs, such as **battery-powered** systems. In addition, the **TS-XDIO** standard feature can be replaced by either **2 extra serial ports** or an **SD Card socket**, which enables fast boot to **Debian Linux** from a SD Card.



## FEATURES

- Requires less than 1 watt for full-speed operation
- 1/4 watt at lower speeds
- High efficiency switching-mode power supply (4.5-20 VDC Unregulated Input)
- TS-Linux Embedded Operating System Installed
- 200Mhz ARM9 CPU with MMU
- 32 MB on-board NAND flash (128 MB optional)
- 32 MB SDRAM (64 or 128 MB optional)
- Standard TS-XDIO (8 schmitt-trigger DIO - PWM, quadrature counter, edge counter, pulse timer)
- Optional SD Card socket instead of TS-XDIO
- Optional 2 TTL serial ports instead of TS-XDIO
- 2 USB 2.0 Compatible OHCI ports (12 Mbit/s Max)
- 10/100 Ethernet port
- 30 total DIO pins
- Watchdog timer
- 2-channel on-board 12-bit A/D Converter
- PC/104 expansion bus
- SPI bus interface
- Matrix Keypad and Alphanumeric LCD interfaces
- Fanless -40° to +70°C, +85°C w/ CPU@166Mhz
- Small size: 3.8 x 4.8 inches (9.7 cm x 11.5 cm)
- Optional Battery Backed Real Time Clock (RTC)
- Optional Linux Supported USB 802.11g WIFI
- Visit [TS-7260 webpage](http://TS-7260 webpage) for further information

## LINUX FOR ARM

TS-7260 SBC includes TS-Linux embedded OS for ARM installed by default in Flash memory. Debian Linux can also be used with larger Flash drives. Both are full featured real-time capable Linux systems.



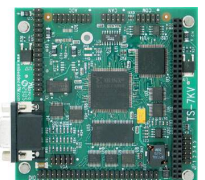
## DEVELOPMENT KIT



The TS-ARM Development Kit includes the Debian Linux on a 256 MB Flash drive, all the documentation, a CD with Linux Kernel and application source codes, a power supply, and various cables and connectors.

## PC/104 PERIPHERALS

Technologic Systems offers a wide range of peripherals via the PC/104 Bus to extend the functionality of the TS-7060 SBC. Features include Video, CAN bus, serial and ethernet ports, DIO, etc.



**We have been in business over 20 years!**

We've built our business on excellent products, low prices and exceptional support. We sell a wide variety of off-the-shelf PC/104 SBC's and peripherals, and offer custom configurations and designs with excellent pricing and turn around time.

Technologic Systems has never discontinued a product. You can count on long term availability when you include our SBC's and peripherals in your design.