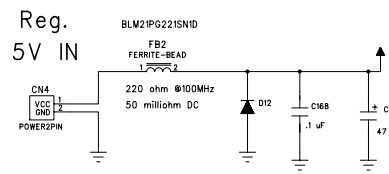


RS-485 drivers are Optional

RS-485 lines are biased with 4.7K ohm resistors to keep defined state during idle

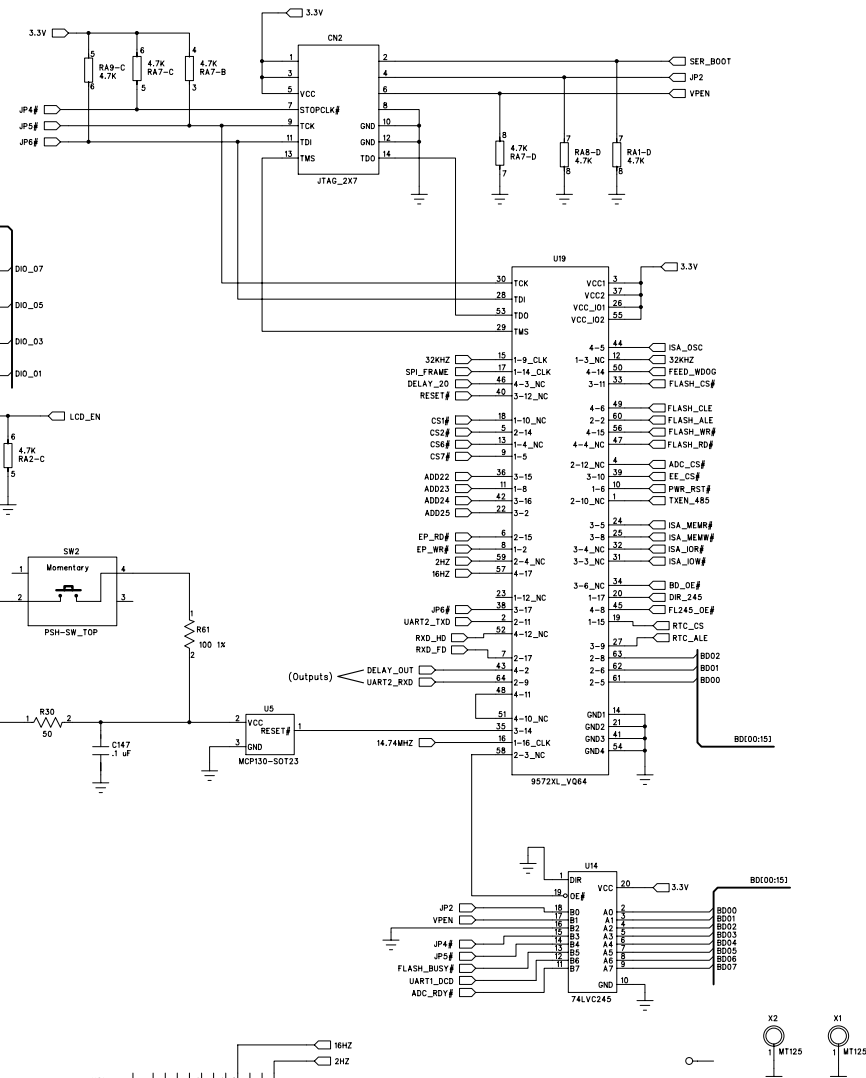
Powering Down Ethernet Chip drops current drain 80 mA

Technologic Systems	Date Jan. 25, 2005
Title: TS-7250 Rev. A	Ethernet, COM, USB
Rev:	Designer RLM Sheet 3 of 5

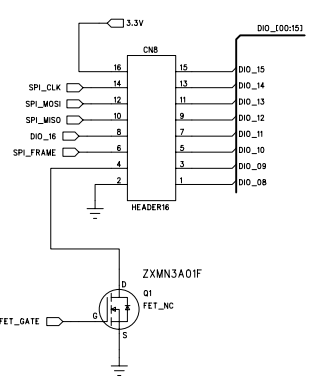


Jumpers:
 JP1 = Boot Serial
 JP2 = Console Enable
 JP3 = Write Enable Flash
 JP4 = Stop @ Redboot
 JP5 = TS_Test
 JP6 = Reserved

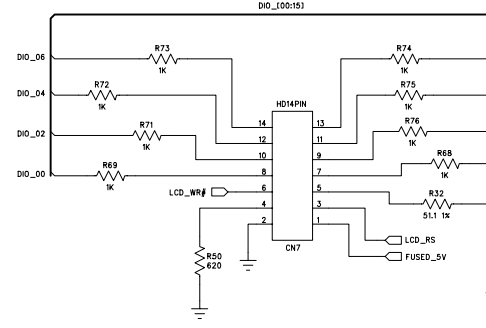
JTAG



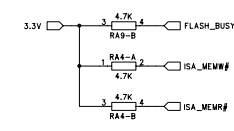
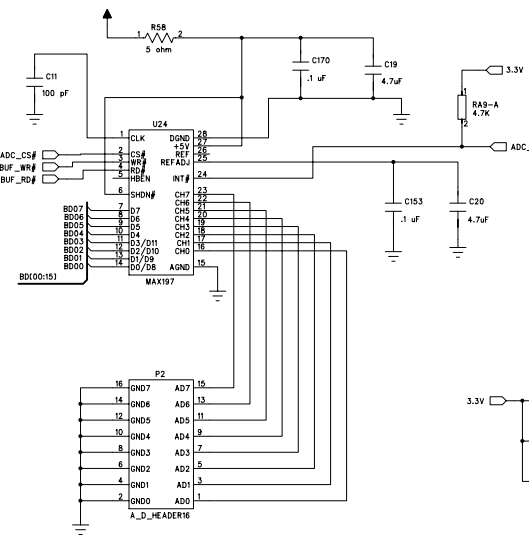
DIO Port

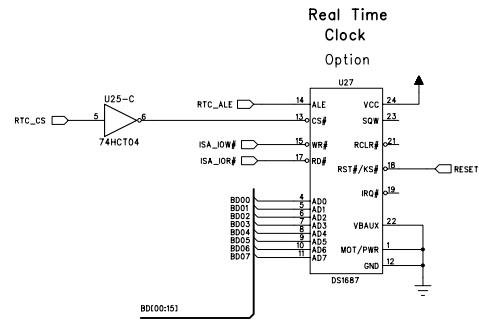


LCD Port

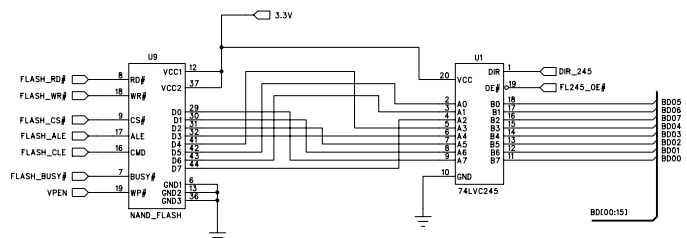


12-bit A/D Converter

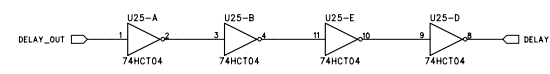
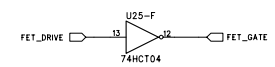
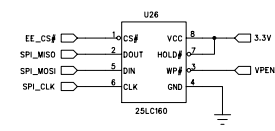




32MB / 128MB NAND Flash



2K Byte EEPROM



Technologic Systems	Date Jan. 25, 2005
Title: TS-7250 Rev. A NAND Flash, EEPROM, RTC	
Rev: 1.0	Designer RLM Sheet 5 of 5