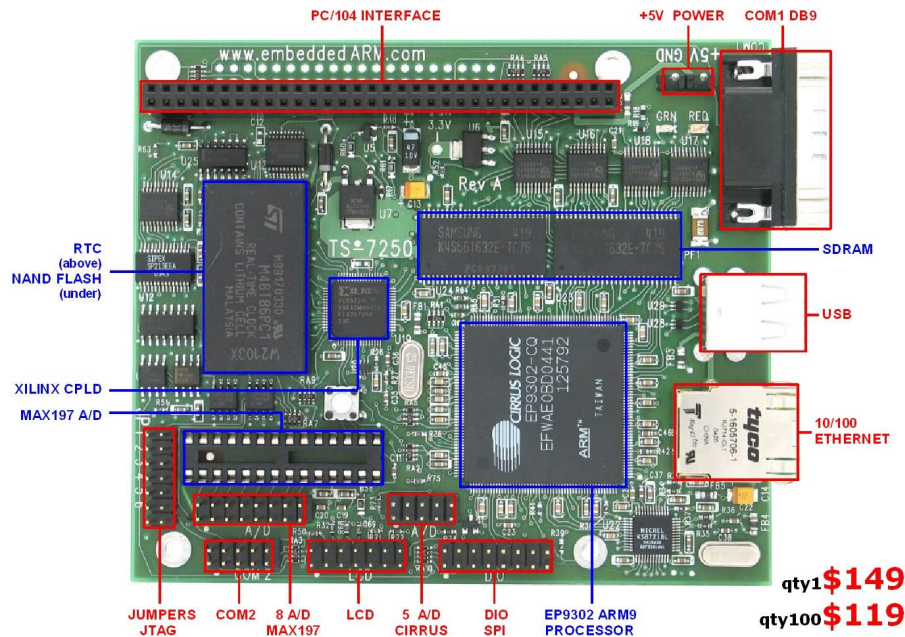


OVERVIEW

The **TS-7250** is a compact full-featured Single Board Computer (SBC) based upon the Cirrus **EP9302 ARM9 CPU**, which provides a standard set of on-board peripherals. The EP9302 features an advanced **ARM920T 200 MHz** processor design with **MMU** that allows support for high-level Embedded Operating Systems such as Linux, Windows CE, and other.

This board includes **NAND** flash devices, which can provide up to **128MB** of fast flash memory. In comparison to TS-7200, this allows quick operating system booting and large filesystem storing at the **same** memory device. Besides, It can run up to **64MB** of high speed **SDRAM**.



FEATURES

- **TS-Linux** Embedded Operating System Installed
- 200Mhz **ARM9** CPU with **MMU**
- 32 MB on-board **NAND** flash drive (128MB optional)
- 32 MB **SDRAM** (64 or 128 MB optional)
- 2 **USB 2.0** Compatible OHCI ports (12 Mbit/s Max)
- 2 **serial** ports (up to 230 Kbaud)
- 10/100 **Ethernet** port
- 20 total **DIO** pins
- 5 channels 12-bit **A/D** converter
- Watchdog timer
- **PC/104** expansion bus
- **SPI** bus interface
- **Matrix Keypad** and Alphanumeric **LCD** interfaces
- Fanless -40° to +70°C, +85°C w/ CPU@166Mhz
- Single +5VDC power supply @ 400 mA
- Small size – 3.8 x 4.5 inches (9.7 x 11.5 cm)
- Optional 8-channel 12-bit **A/D** converter
- Optional temperature sensor
- Optional **RS-485** support on COM2
- Optional Battery Backed Real Time Clock (**RTC**)
- Optional Linux Supported **USB 802.11g WIFI**
- **TS-ARM** Development Kit Available
- Visit [TS-7250 webpage](http://www.embeddedARM.com) for further information

LINUX FOR ARM

TS-7250 SBC includes **TS-Linux** embedded OS for ARM installed by default in **Flash** memory. **Debian Linux** can also be used with larger Flash drives. Both are full featured **real-time** capable Linux systems.



DEVELOPMENT KIT



The **TS-ARM** Development Kit includes the **Debian Linux** on a 256 MB Flash drive, all the **documentation**, a CD with Linux Kernel and application **source codes**, a **power supply**, and various cables and connectors.

PC/104 PERIPHERALS

Technologic Systems offers a wide range of **peripherals** via the **PC/104** Bus to extend the functionality of the TS-7250 SBC. Features include **Video**, **CAN** bus, **serial** and **ethernet** ports, **DIO**, etc.



We have been in business over 20 years!

We've built our business on **excellent products**, **low prices** and **exceptional support**. We sell a wide variety of off-the-shelf **PC/104** SBC's and peripherals, and offer custom configurations and designs with excellent pricing and turn around time.

Technologic Systems has never discontinued a **product**. You can count on long term availability when you include our SBC's and peripherals in your design.

© Jul. 2007