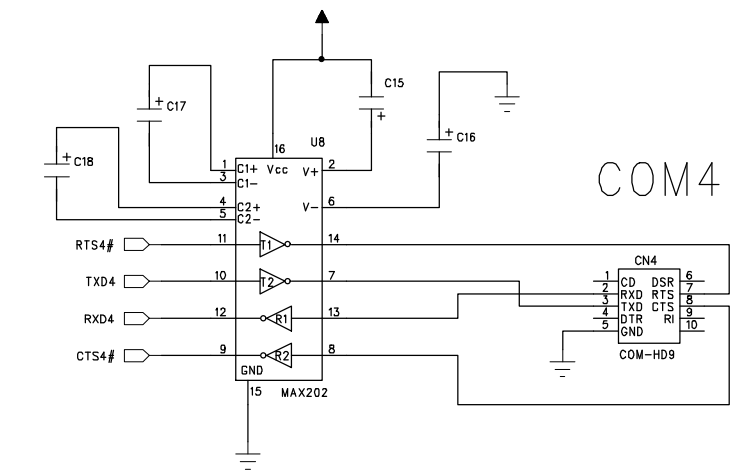
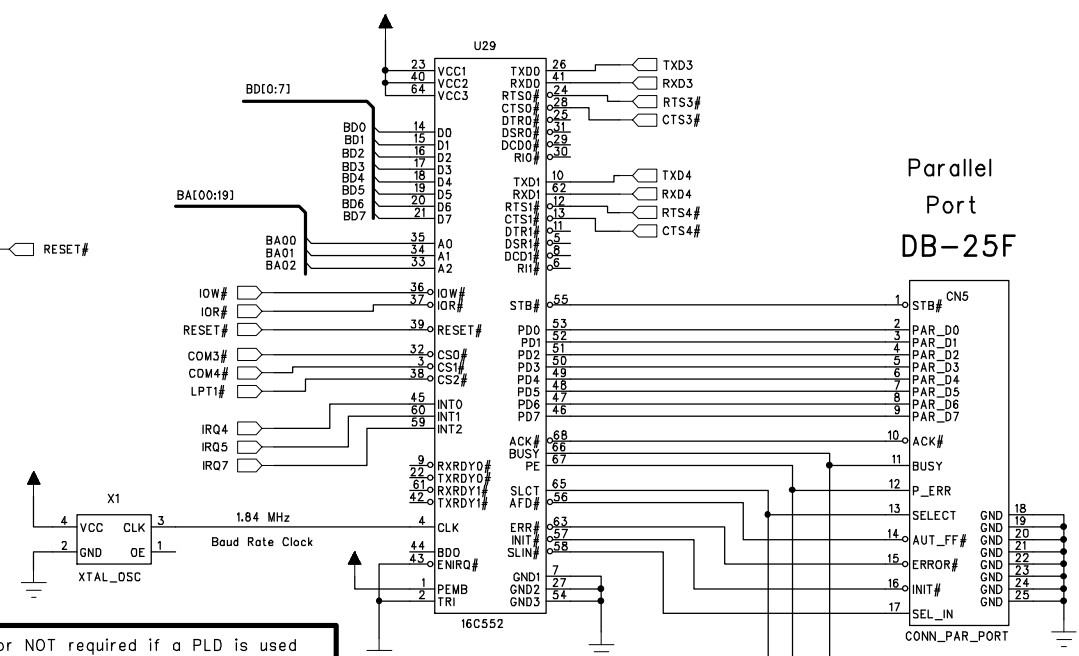
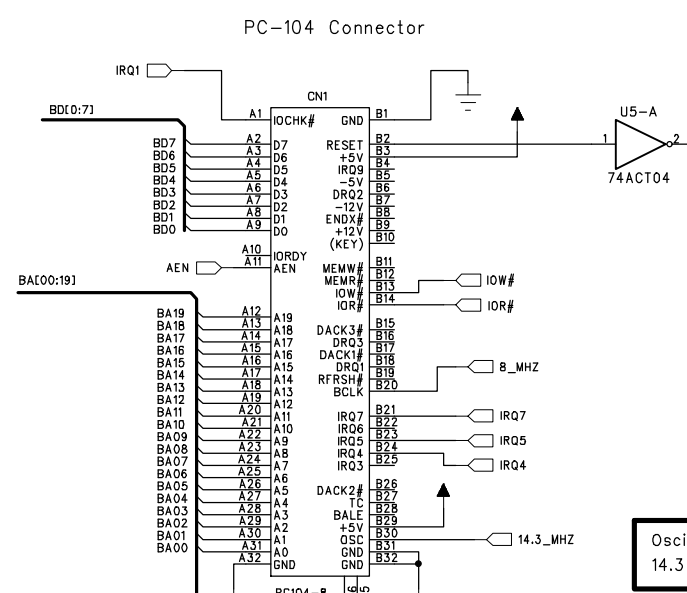


PC/104 pin A1 is IOCHK# (it is never used for this function)
 All TS-3xxx and TS-5xxx products reassign as IRQ1 (KeyBoard IRQ)



TI # TL16C552 has internal 10K Pull-up Res. on STB, AFD, SLIN, and INIT

Oscillator NOT required if a PLD is used
 14.3 MHz can be divided down to 1.84 MHz

Much better to use a PLD for address decode
 Xilinx XC9536XL < \$1.00

Mouse IRQ12 requires 16-bit PC/104

PC-104 bus uses TTL levels
 Interrupts are rising edge sensitive
 BCLK is 8 MHz or 8.33 MHz square wave
 # indicates active low signal
 Only Addresses 0-9 used for I/O decode

