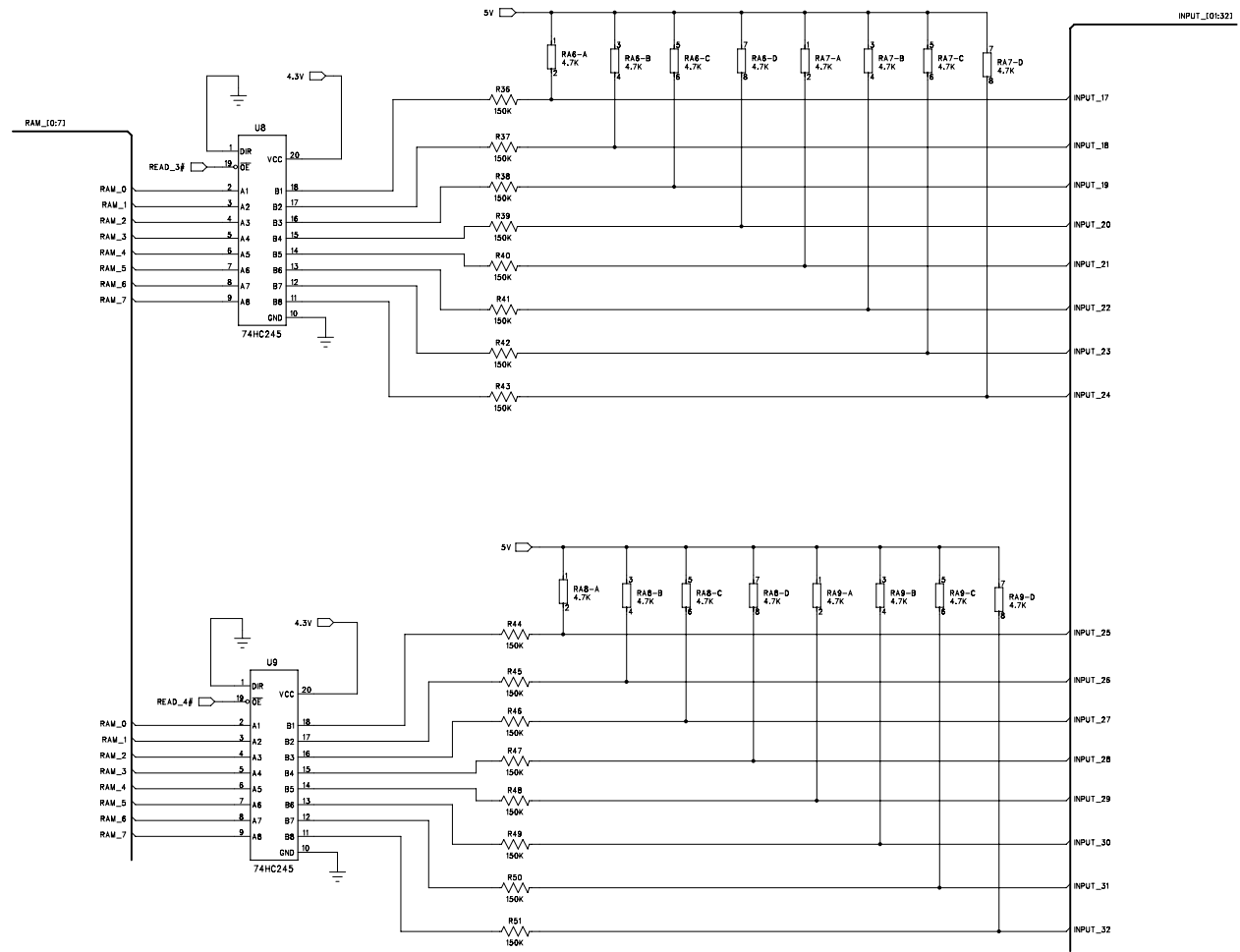
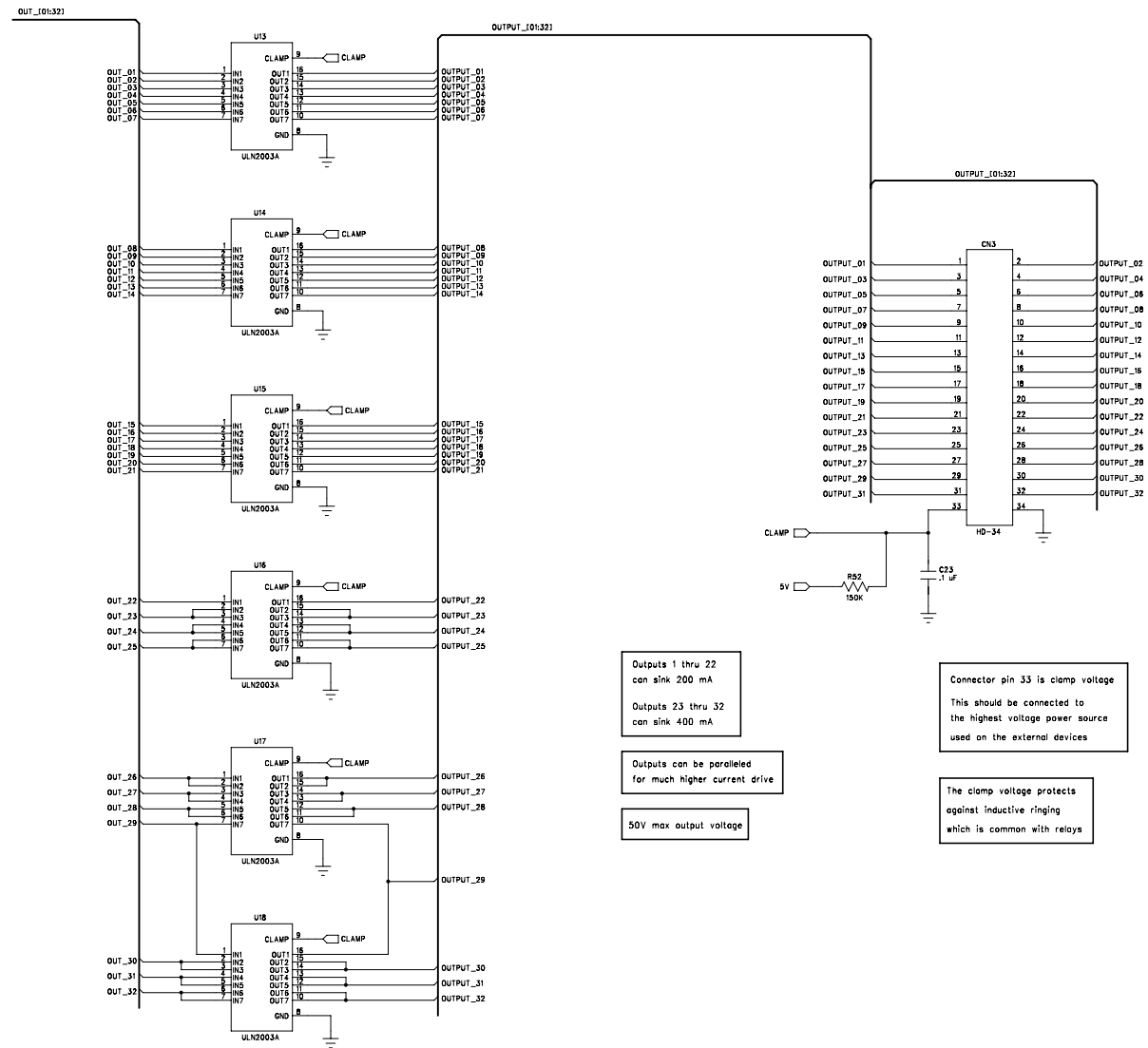


Technologic Systems	Date Dec. 31, 2005
Title: TS-DIO64 Inputs	
Rev: 1.0	Designer RLM Sheet 2 of 5



Technologic Systems	Date Dec. 31, 2005
Title: TS-DIO64 Inputs	
Rev:	Designer RLM Sheet 3 of 5



Outputs 1 thru 22
can sink 200 mA

Outputs 23 thru 32
can sink 400 mA

Outputs can be paralleled
for much higher current drive

50V max output voltage

Connector pin 33 is clamp voltage
This should be connected to
the highest voltage power source
used on the external devices

The clamp voltage protects
against inductive ringing
which is common with relays