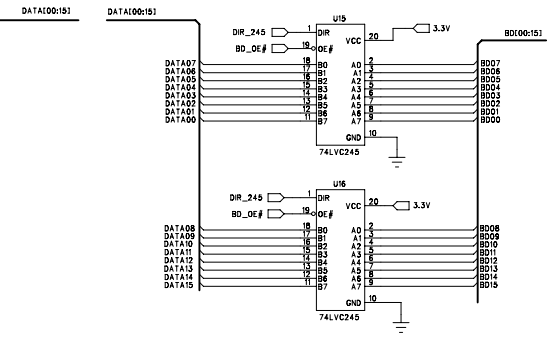
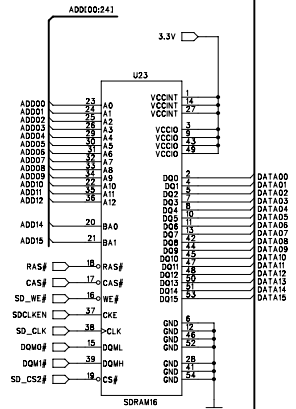


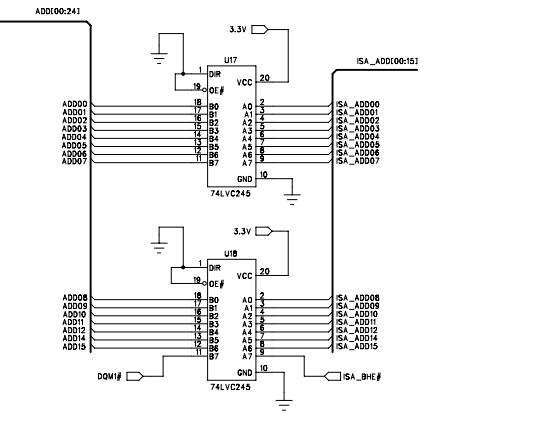
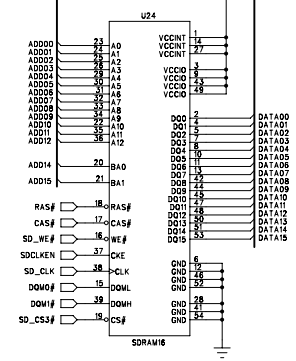
**Jumpers:**

- JP1 = Boot Serial
- JP2 = Console Enable
- JP3 = Write Enable Flash
- JP4 = Console is COM2
- JP5 = TS\_Test
- JP6 = Reserved

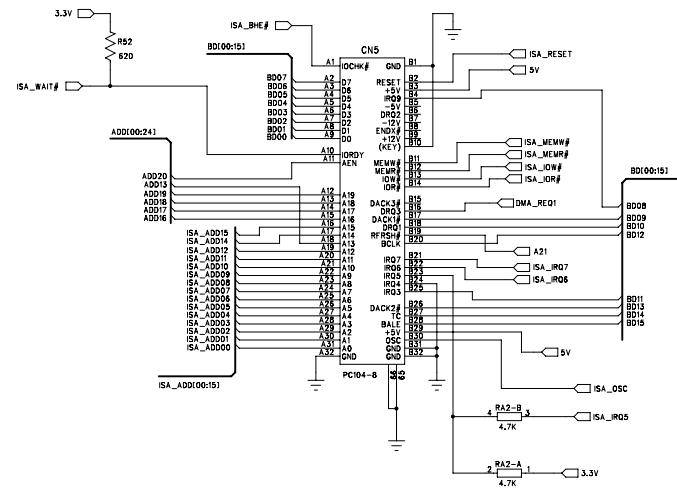
### SDRAM



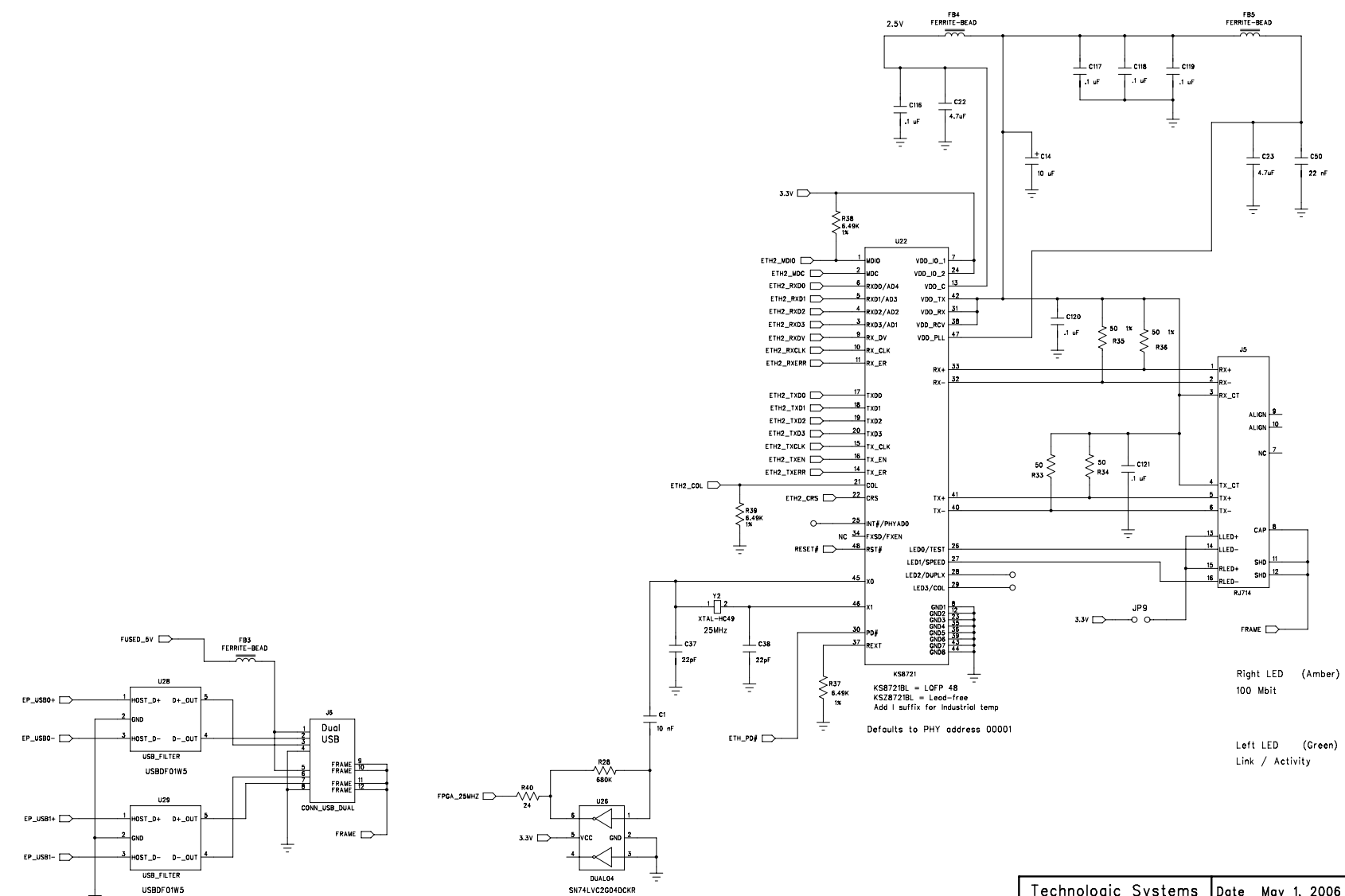
### SDRAM



### PC/104 Connector



# 10/100 Ethernet



Right LED (Amber)  
100 Mbit

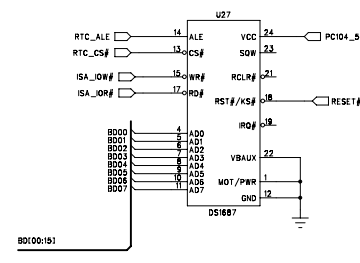
Left LED (Green)  
Link / Activity

K58721  
K58721BL = LOFP 48  
K528721BL = Lead-free  
Add -I suffix for Industrial Temp

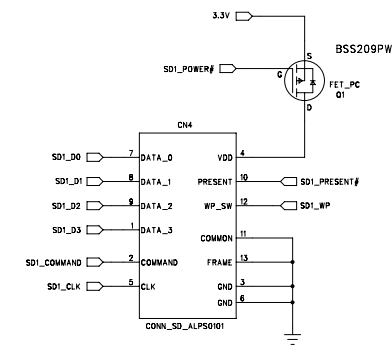
Defaults to PHY address 00001

Technologic Systems	Date	May 1, 2006
Title: TS-7300 Ethernet, COM ports, USB	Rev:	Designer RLM Sheet 3 of 10

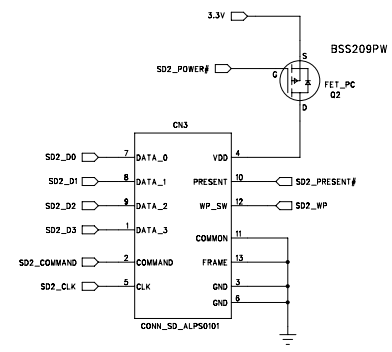
### Real Time Clock



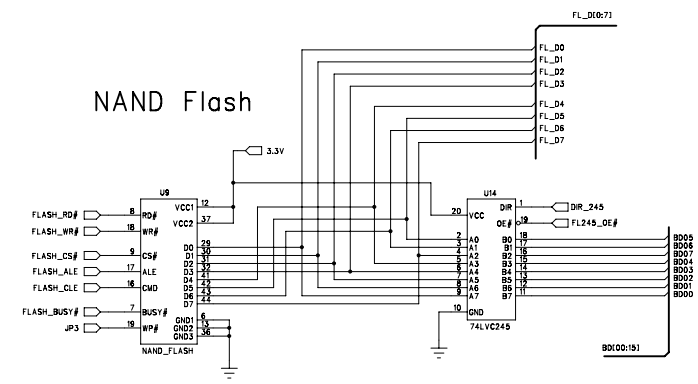
### SD Card Socket #1



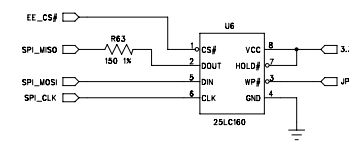
### SD Card Socket #2



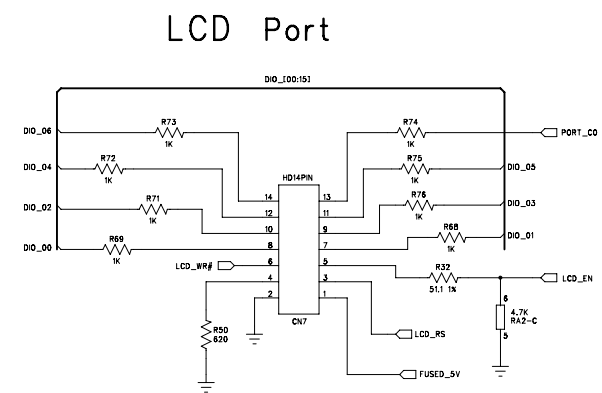
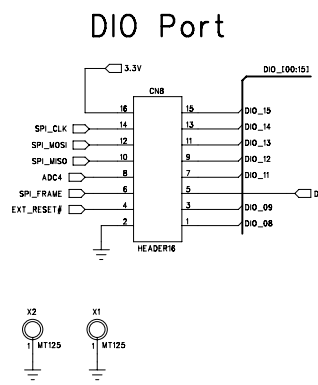
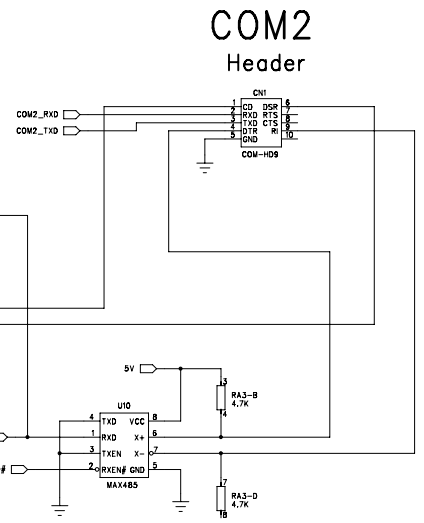
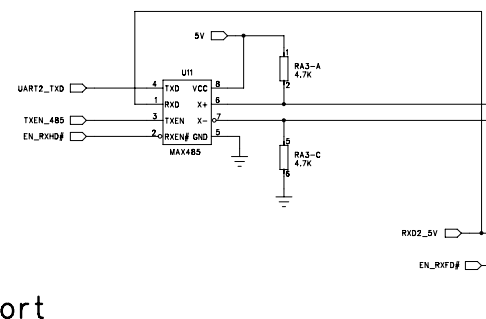
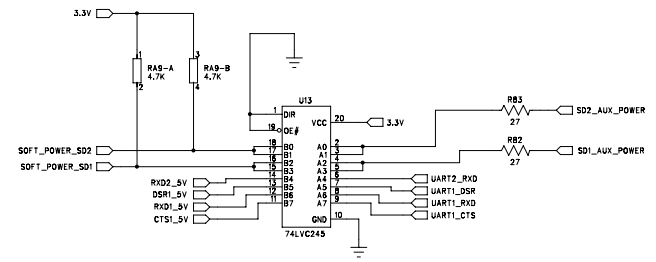
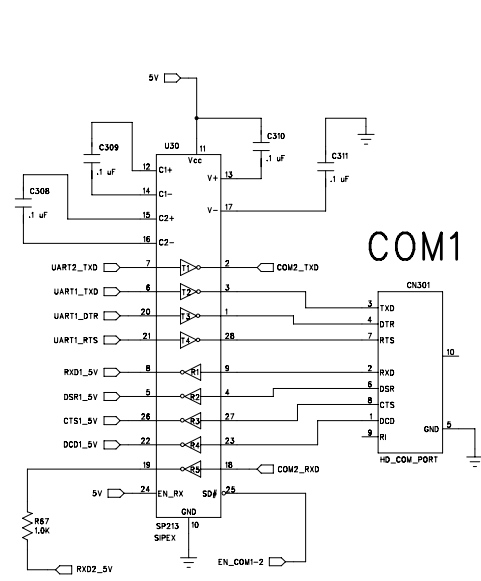
### NAND Flash



### Boot EEPROM



Technologic Systems	Date May 1, 2006
Title: TS-7300 NAND Flash, EEPROM, RTC	
Rev: 1.0	Designer RLM Sheet 4 of 10



Technologic Systems	Date May 1, 2006
Title: TS-7300 Power, DIO, LCD ports	
Rev:	Designer RLM Sheet 5 of 10

**Jumpers:**

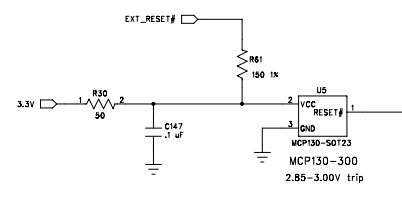
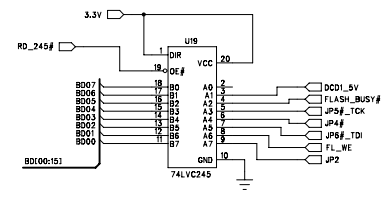
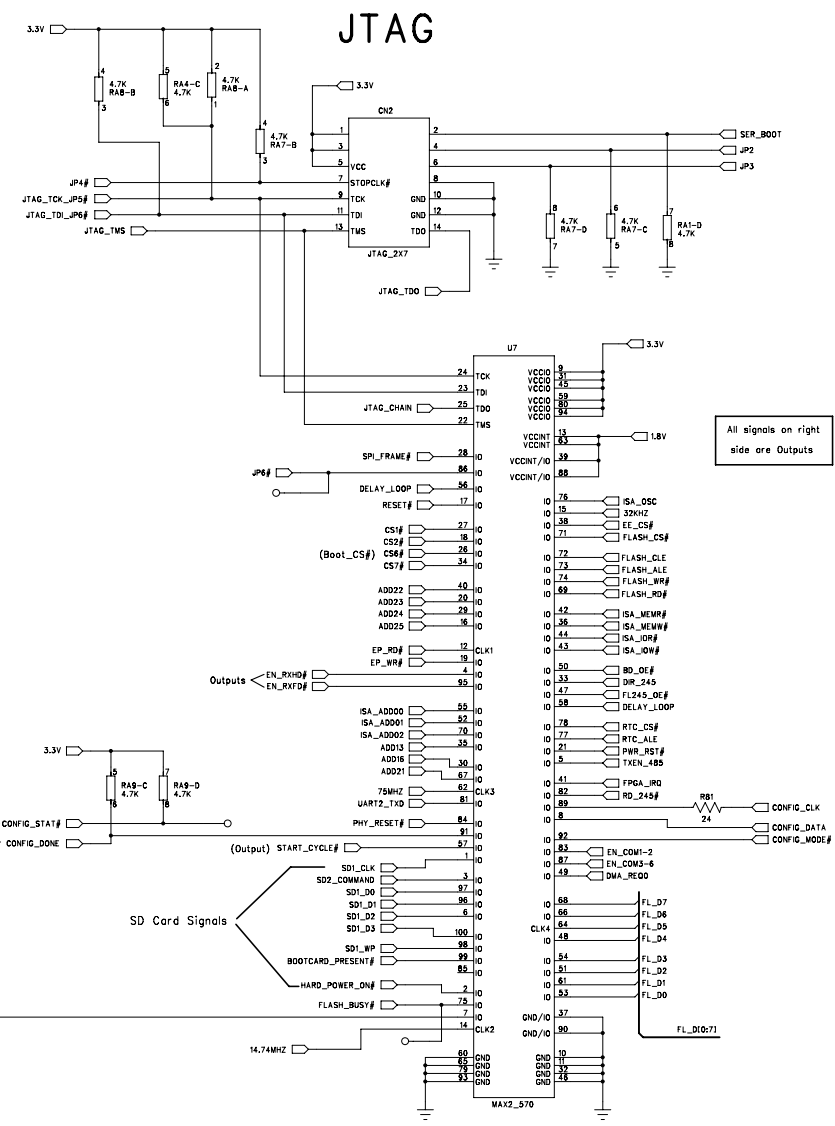
- JP1 = Boot Serial
- JP2 = Console Enable
- JP3 = Write Enable Flash
- JP4 = COM2 is Console
- JP5 = TS\_Test
- JP6 = Reserved

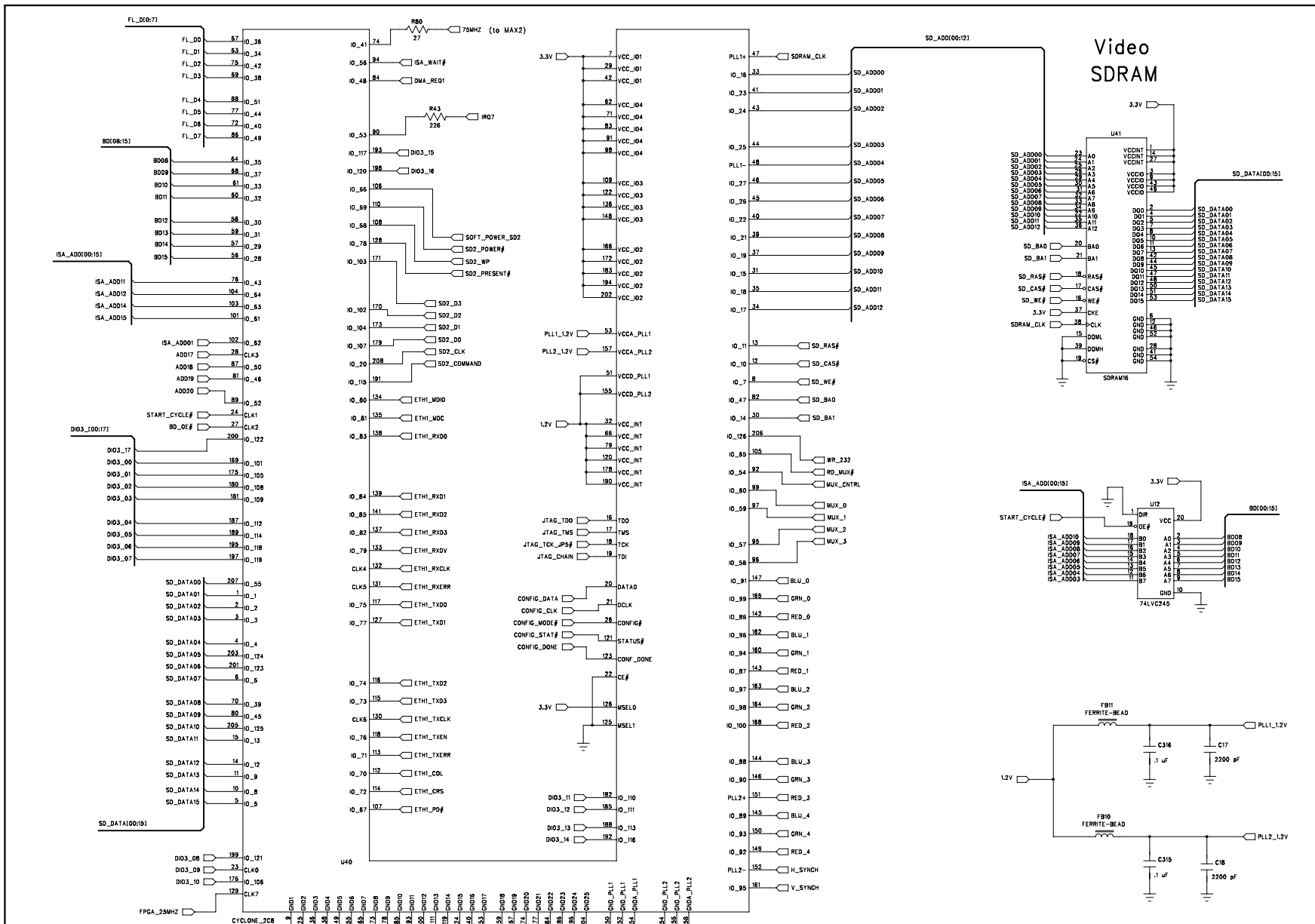
**MAX2 current drain**

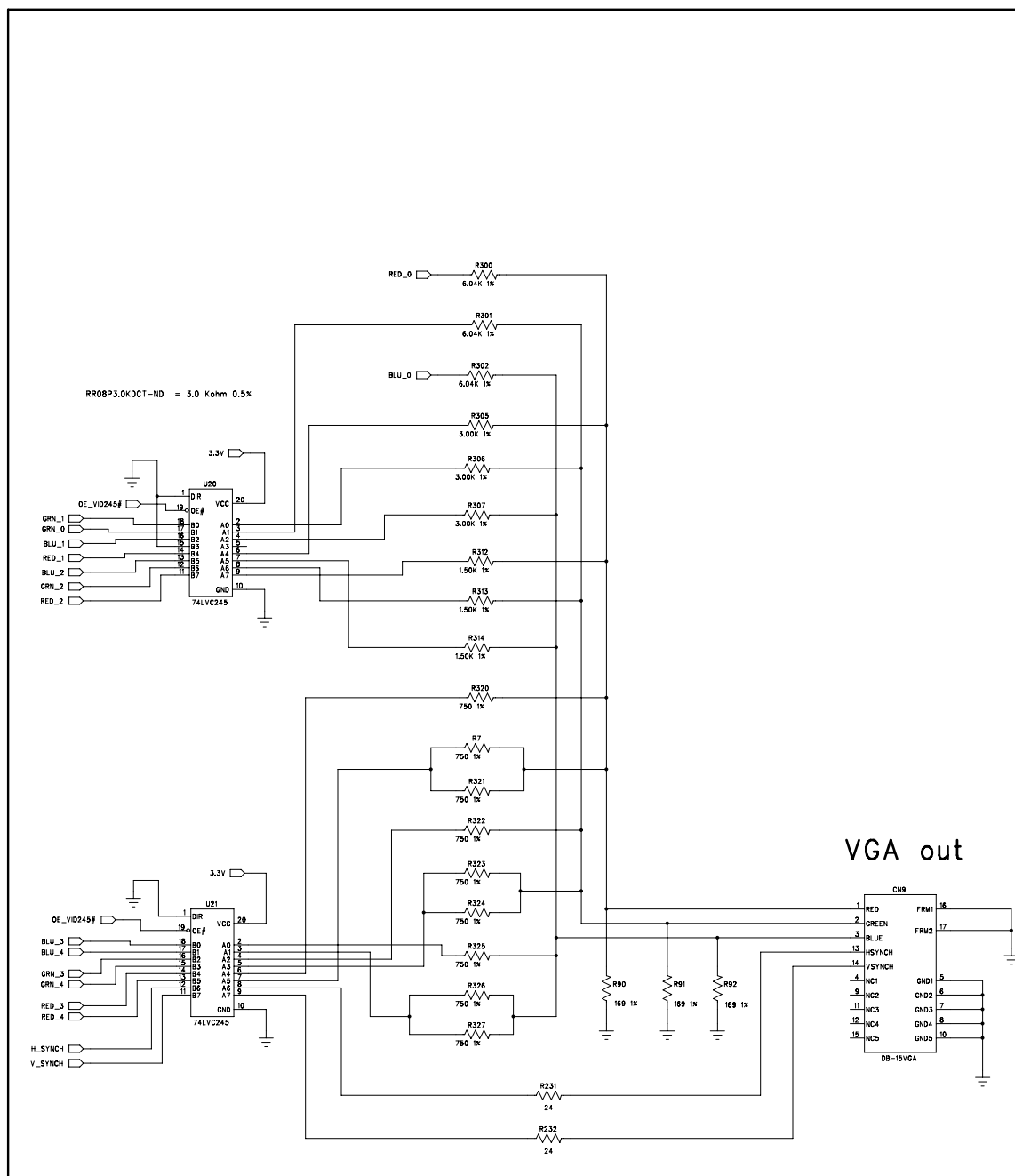
Icore during power up = 40 mA typical  
 Icore idle = 2 mA (no clocks)  
 Icore with 14.7 MHz clocking is 4-6 mA

Current for 3.3V is dynamic only  
 (probably 2-5 mA only)

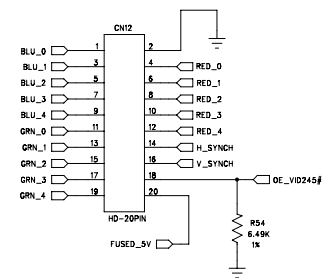
MAX2\_570 requires 300 uS to copy  
 Flash into RAM after Vcore > 1.5V



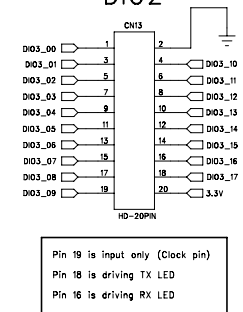




### 40-pin Header



### DIO2

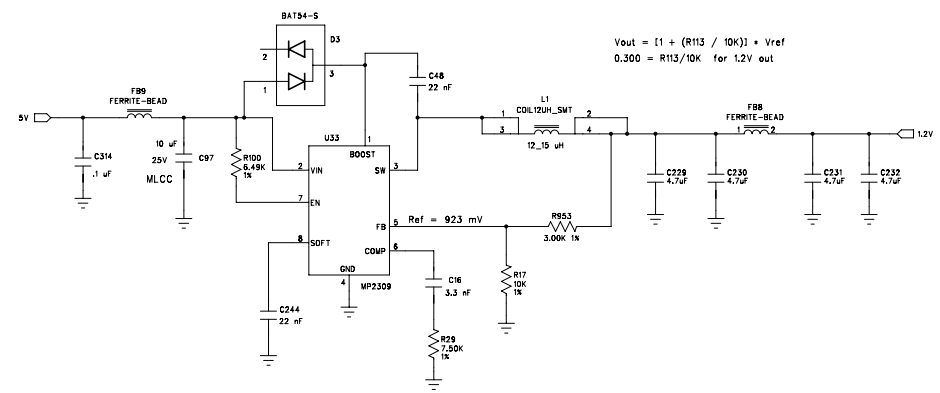


### VGA out

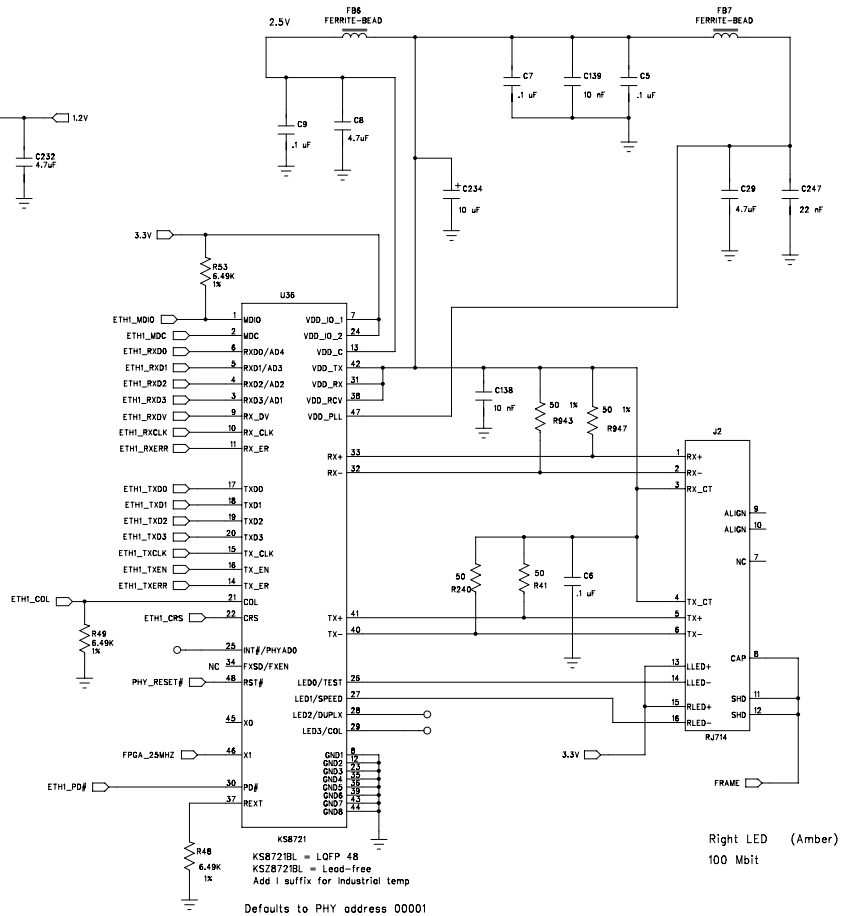
Technologic Systems	Date May 1, 2006
Title: TS-7300 VGA, DIO2, SD card	
Rev:	Designer
Sheet 8 of 10	



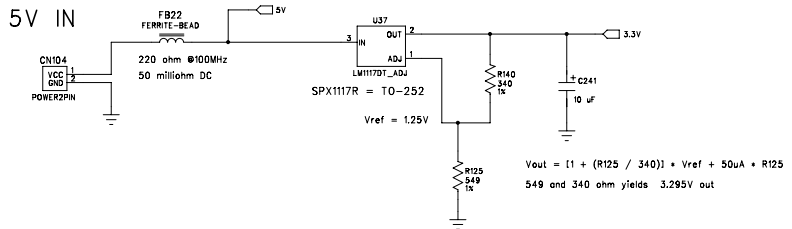
### 1.2V Power Supply



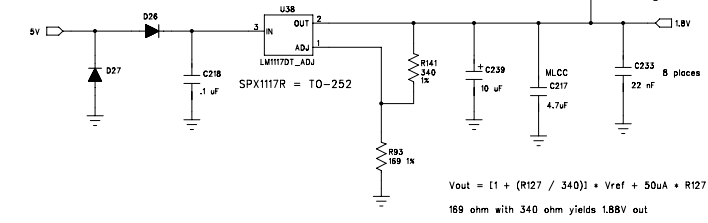
### 10/100 Ethernet

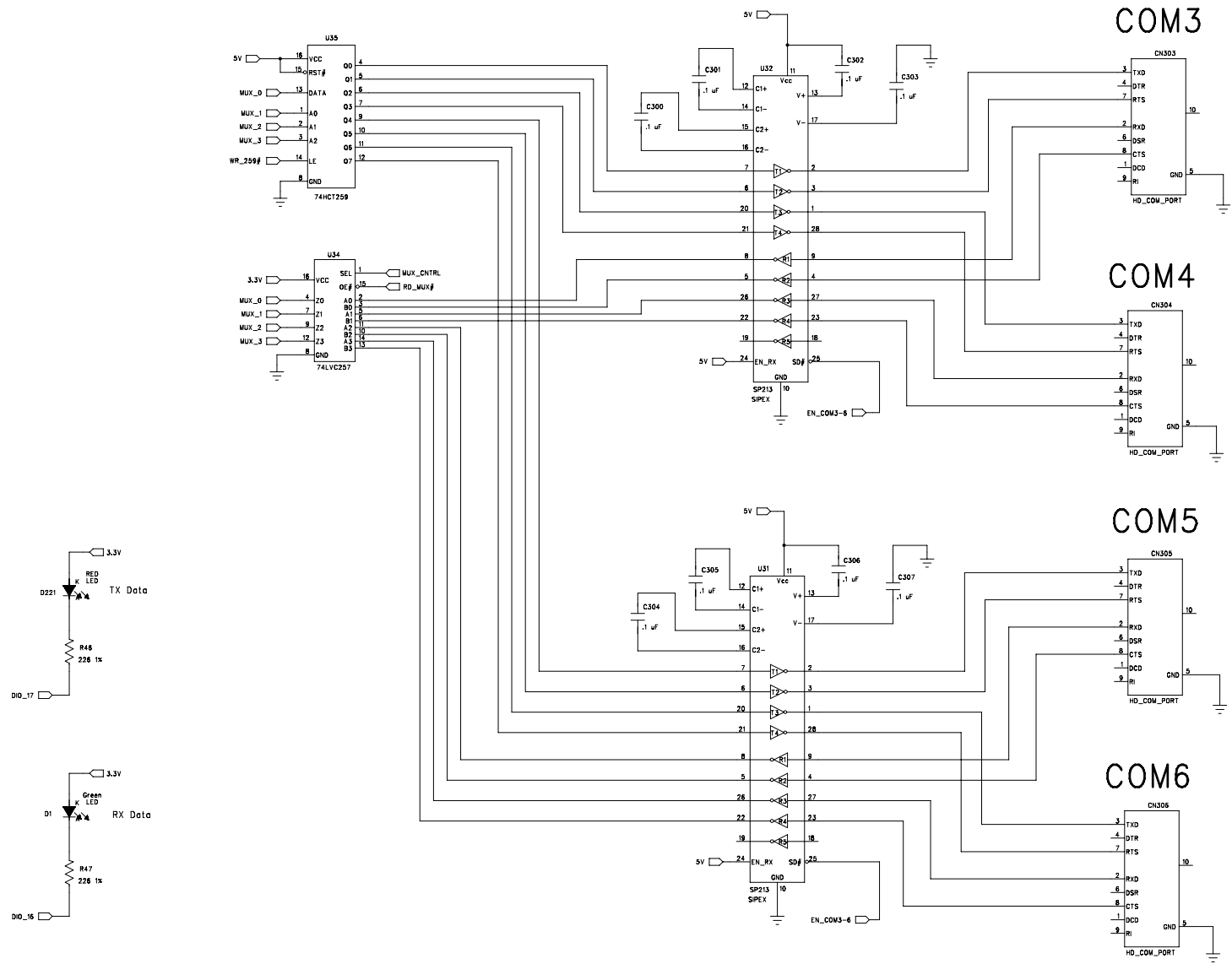


### 3.3V Power Supply



### 1.8V Power Supply





Technologic Systems	Date May 1, 2006
Title: TS-7300 COM3 thru COM6	
Rev:	Designer
	Sheet 10 of 10