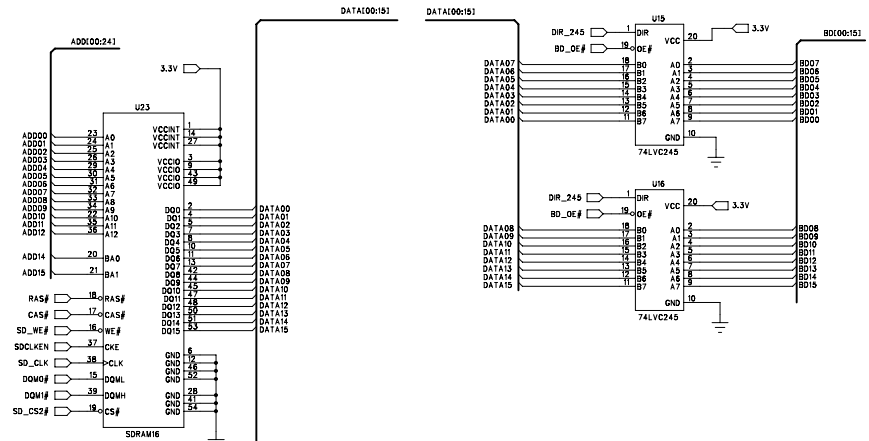
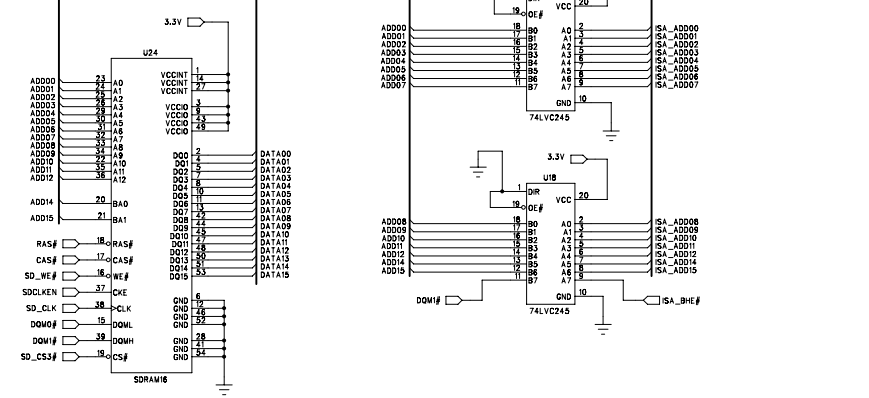


Jumpers:
 JP1 = Boot Serial
 JP2 = Console Enable
 JP3 = Write Enable Flash
 JP4 = Console is COM2
 JP5 = TS_Test
 JP6 = Reserved

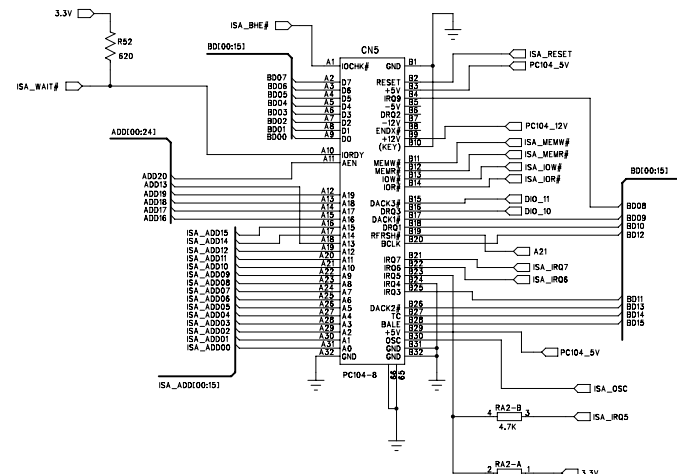
SDRAM



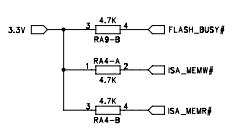
SDRAM



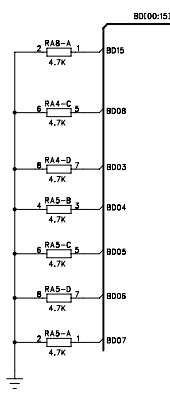
PC/104 Connector

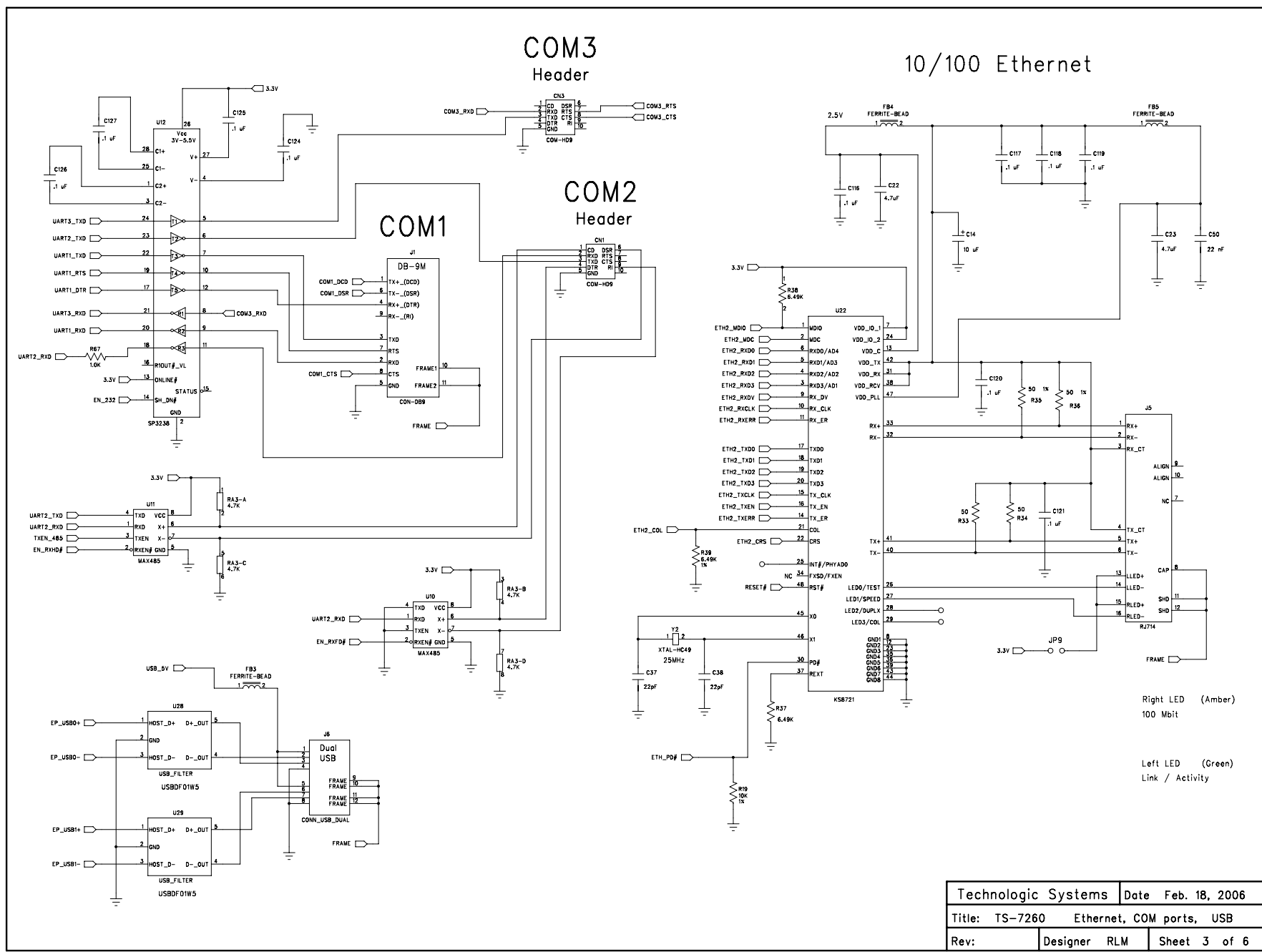


IRO6 and IRO7 have Resistor pull downs



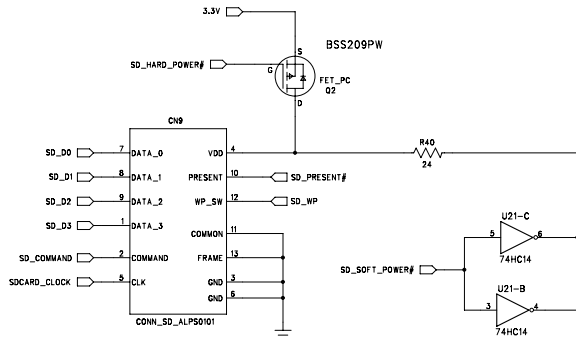
Data Bus Pull-Down Resistors



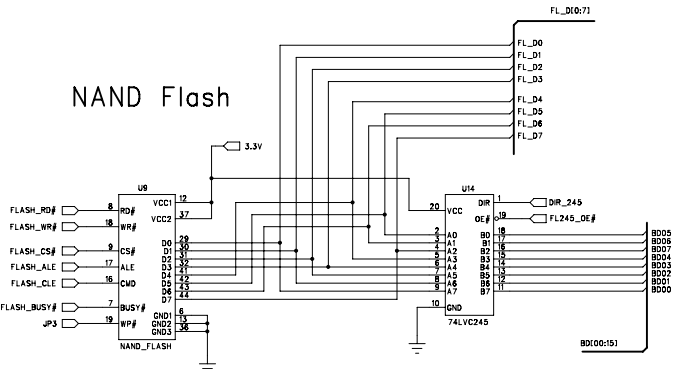


Technologic Systems	Date Feb. 18, 2006
Title: TS-7260 Ethernet, COM ports, USB	
Rev:	Designer RLM Sheet 3 of 6

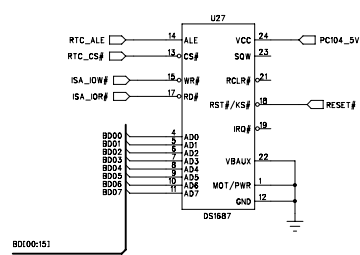
SD Card Socket



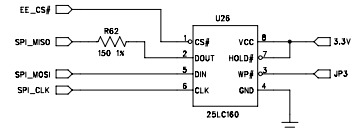
NAND Flash



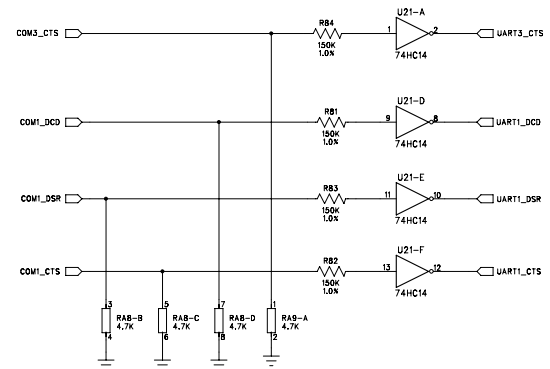
Real Time Clock



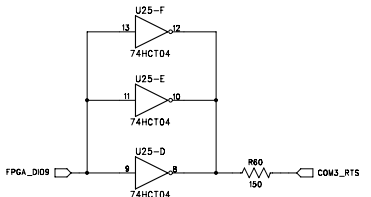
Boot EEPROM



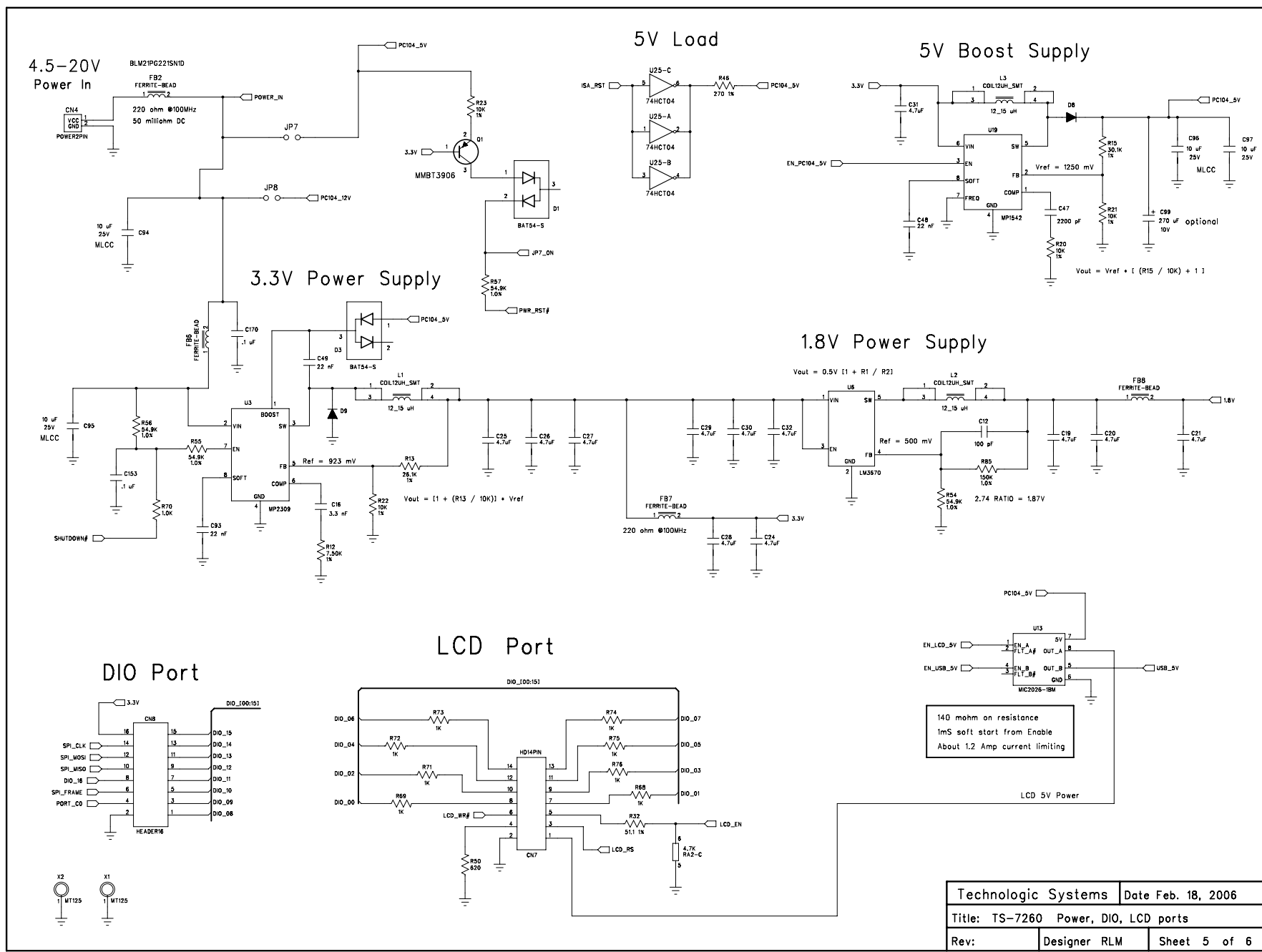
3.3V Powered



5V Powered



Technologic Systems	Date Feb. 18, 2006
Title: TS-7260 NAND Flash, EEPROM, RTC	
Rev: 1.0	Designer RLM Sheet 4 of 6



Technologic Systems	Date Feb. 18, 2006
Title: TS-7260 Power, DIO, LCD ports	
Rev:	Designer RLM Sheet 5 of 6

Jumpers:

- JP1 = Boot Serial
- JP2 = Console Enable
- JP3 = Write Enable Flash
- JP4 = COM2 is Console
- JP5 = TS_Test
- JP6 = Reserved

MAX2 current drain

Icore during power up = 40 mA typical
 Icore idle = 2 mA (no clocks)
 Icore with 14.7 MHz clocking is 4-6 mA

Current for 3.3V is dynamic only
 (probably 2-5 mA only)

MAX2_570 requires 300 uS to copy
 Flash into RAM after Vcore > 1.5V

The XDIO pins can optionally support these signals

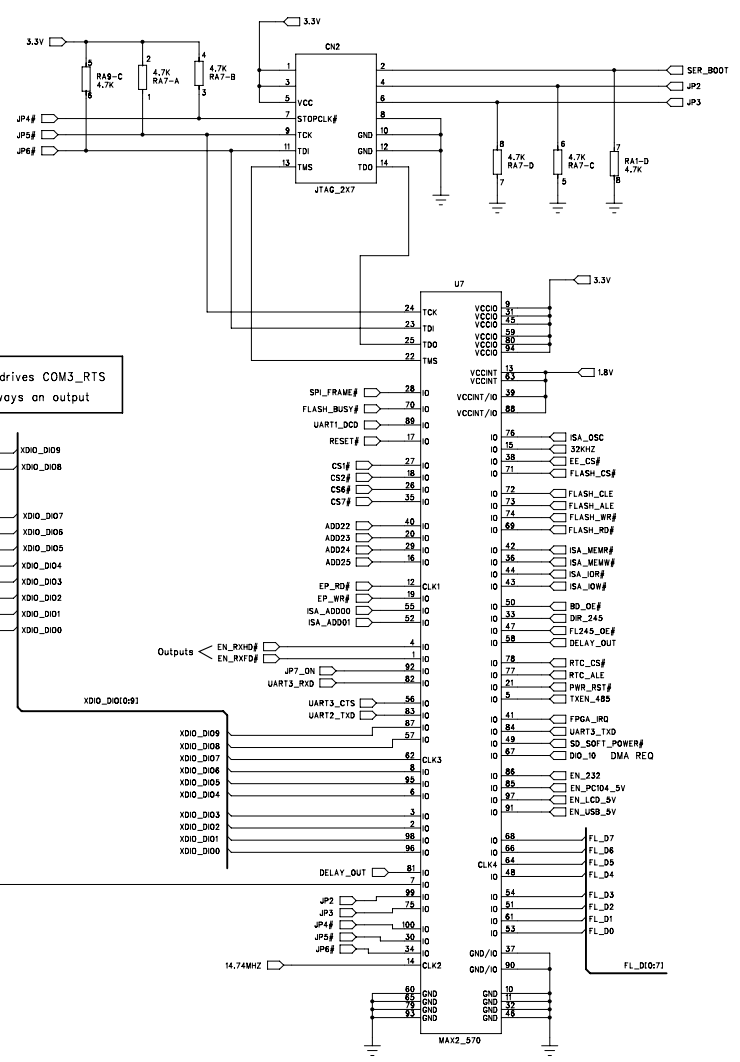
- Pin 1 = COM3 TXD
- Pin 3 = COM3 RXD
- Pin 5 = Aux1 TXD
- Pin 7 = Aux1 RXD
- Pin 9 = Aux2 TXD
- Pin 11 = Aux2 RXD
- Pin 13 = Aux1 TX shifting
- Pin 15 = Aux2 TX shifting

The XDIO pins can optionally support an SD card socket

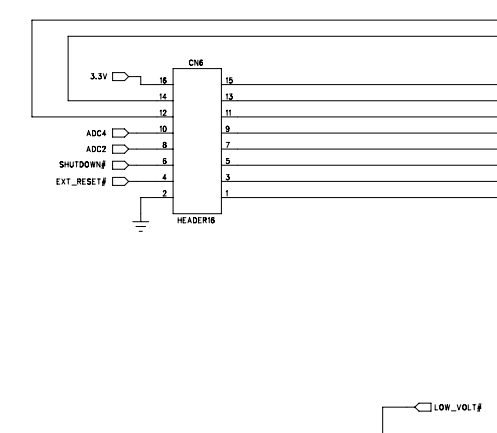
- Pin 1 = XDIO_0 SD Data_1
- Pin 3 = XDIO_1 SD Data_0
- Pin 5 = XDIO_2 SD Command
- Pin 7 = XDIO_3 SD Hard Power#
- Pin 9 = XDIO_4 SD Data_2
- Pin 11 = XDIO_5 SD Data_3
- Pin 13 = XDIO_6 SD Clock
- Pin 15 = XDIO_7 SD Present#
- Pin 14 = XDIO_8 SD Write Prot.

All of these pins need the FPGA pull-up resistor turned on except the SD Clock signal and SD Hard Power# signal

JTAG



DIO2 Port



XDIO_DIO9 also drives COM3_RTS
 XDIO_DIO9 is also an output